

The Original  
**Carolina's**  
Auto Supply House

CELEBRATING 100 YEARS

# AUTO & LIGHT TRUCK A/C PARTS CATALOG

## 134A REFRIGERANT



30 LB. TANK  
134A30 **\$99<sup>00</sup>** /EACH

12oz. CANS  
134A12 **\$59<sup>00</sup>** 12/CASE



QUOTES  
AVAILABLE

- ACCUMULATORS
- AUTO A/C KITS
- COMPRESSORS
- EVAPORATORS
- EXPANSION VALVES
- HOSE ASSEMBLIES
- RECEIVER DRIERS
- RELAYS
- SENSORS
- CLUTCH CYCLE SWITCHES
- PRESSURE SWITCHES
- TRINARY SWITCHES
- O-RING KITS
- VALVE CORE KITS

## MOST POPULAR GM COMPRESSOR



BUY 3 OR MORE & SAVE \$\$\$

20-10658-AM  
**\$146<sup>88</sup>**

4 SEASON 58950  
SINGLE PRICE \$156.88 EACH  
(Also Fits Some F/S Trucks)

3/MORE  
INCLUDES  
CLUTCH!

## HEAVY DUTY COMPRESSORS



KENWORTH - SD7H15 4041 2AG  
125MM 12V GQ HEAD

20-04815-AM  
**\$164<sup>62</sup>**

CROSS-REFERENCE #1647916C1

## VACUUM PUMPS

3.0 CFM VACUUM  
PUMP PLUS R134A  
MANIFOLD GAUGE SET  
ASSORTMENT



AC9281  
**\$155<sup>00</sup>**



CALL IN YOUR ORDER TODAY!

# 1-800-438-4070

## YOUR COMPLETE CRASH PARTS & BODY SHOP SUPPLY SOURCE

Mon - Fri 8:00AM - 5:30PM Eastern

24/7 FAX: 1-800-377-7016

LOCAL: 704-334-4646



www.autosupplyhouse.com

sales@autosupplyhouse.com



Quality Engineered Replacement Parts

*Santech*  
Automotive **A/C** Components™

## WHOLESALE POLICY

- **Wholesale Only** - Accounts must be valid automotive business. We reserve the right to refuse any account.
- New customers are CREDIT CARD or C.O.D. until authorized for checks. ACH-Fax voided company check for check payment by phone to Avoid C.O.D. charges.

### C.O.D. CHARGES AS FOLLOWS:

UPS: \$10.00 PER BOX-company checks & money order- plus current ground rates. **UPS NO LONGER ACCEPTS CASH**  
FEDEX GROUND: \$20.00 per box - C.O.D. Cash - plus current ground rates.

- **FREIGHT PREPAID** on all orders over \$2,000.00, in most states. Regular ground service only. Excludes overnight delivery. Carolinas Auto Supply House DOES NOT PAY Re-Delivery Charges, Re-Consignment Charges or Residential Charges on ANY Freight Shipment. All freight orders under \$2,000 must be verified by customer prior to shipment (Same Day Shipping Guarantee Exclusion)
- All items are guaranteed against defects for 90 days unless otherwise stated by Carolinas Auto Supply House.
- No gaskets can be returned once seals are broken.
- Warranty is void on Cylinder Heads if Heat Tab is melted.
- Warranty on Electrical parts and Compressors is Exchange Only  
NOTE: Compressor warranty void if drier is not replaced with each new (or rebuilt) compressor installed. Requires proof of purchase.
- Items are returnable within 30 DAYS with full money back (excluding shipping and handling charges), and **MUST BE IN RESALABLE CONDITION**. All returned items, including defective merchandise, must include copy of invoice or packing slip, in original box if applicable and shipped pre-paid.

**Any item returned after 30 days is subject to a Restocking Fee as follows:**

1 - 30 days	No Fee
31 - 90 days	10% Fee
91 - 6 months	20% Fee
6 months - 1 Yr.	30% Fee
1 Yr. +	40% - 50%

NOTE: All returns will be issued as credit to account. If customer requests refund, Carolinas will have to assume that the customer will no longer be doing business with our company.

- CAROLINAS AUTO SUPPLY HOUSE, INC. Does Not Pay Labor Claims
- All shortages, mis-shipments or damaged goods must be reported to Carolinas WITHIN 48 HOURS OF RECEIVING ORDER.
- Shipping errors will be handled on an individual basis.
- Carolinas Auto Supply House does not accept C.O.D. or bus shipments.
- All Special Orders are NON-RETURNABLE.
- When items are out of stock, they will be BACKORDERED and automatically processed if it becomes available within 7 days of original order date. It is the customer's responsibility to cancel a backorder within this 7 day period if the product is no longer desired. Backorders under \$25.00 are automatically cancelled.
- Returned Check Fee: \$35.00
- Credit Card Charge back will result in permanent termination of account.
- Refused Shipments are charged \$20.00 per Box and customer is returned to credit card/cash in advance status only for order following refusal.
- **PRIVACY POLICY:** Carolinas respects our customer's privacy. We do not sell, rent or share our customer lists with any third party.
- MSDS Sheets are shipped with initial order. If you don't receive one, please contact us or visit [www.autosupplyhouse.com](http://www.autosupplyhouse.com)

**As much as we try to guarantee our prices, prices in this catalog are subject to change without notice and should be considered as a guide only. Please call a sales representative to confirm current pricing. We reserve the right to limit quantities. All advertised items subject to availability.**

**We are not responsible for typographical errors.**

**THE SOUTHEAST'S LARGEST INDEPENDENTLY OWNED  
RADIATOR WHOLESALER**

*Domestic & Import Models - Over 5,000 Radiators In Stock*



**\$80<sup>72</sup>**

**RA1850**  
1996-00 TOWN & COUNTRY  
V6 3.8/3.3L



**\$62<sup>17</sup>**

**RA2147**  
1998-02 HONDA ACCORD V6 3.0L



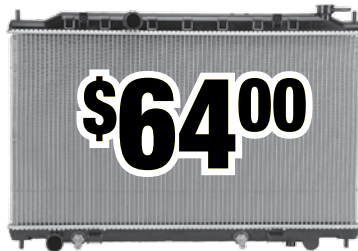
**\$67<sup>00</sup>**

**RA2608**  
2005-08 CHEVY COBALT 2.2L



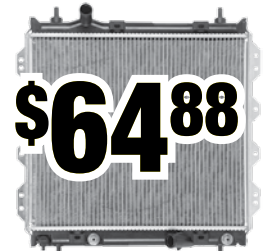
**\$90<sup>23</sup>**

**RA2184**  
1998-04 DODGE INTREPID



**\$64<sup>00</sup>**

**RA2414**  
2002-06 NISSAN ALTIMA 2.5L L4



**\$64<sup>88</sup>**

**RA2298**  
2001-2010 PT CRUISER



**\$101<sup>08</sup>**

**RA1552**  
1994-97 DODGE PICKUP



**\$65<sup>16</sup>**

**RA1573**  
93-99 NISSAN ALTIMA L4 2.4L



**\$56<sup>99</sup>**

**RA2329**  
99-01 NISSAN MAXIMA



**\$57<sup>89</sup>**

**RA19**  
90-93 HONDA ACCORD



**\$93<sup>23</sup>**

**RA2294**  
00-04 DODGE DAKOTA



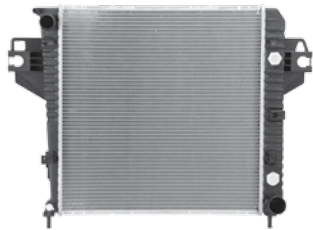
**\$90<sup>02</sup>**

**RA2788**  
04-2007 CHEVY OPTIMA 2.0L

Prices shown are meant to be a guide. All prices are subject to change without notice. Call for current price and availability.

# RADIATORS

## 5,000 RADIATORS IN STOCK! 100'S OF APPLICATIONS



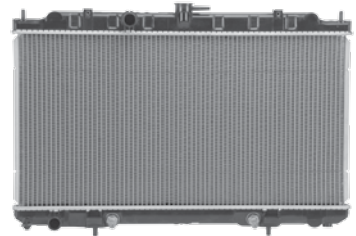
**RA2481**  
2002-2006 JEEP LIBERTY 3.7L

**\$82<sup>50</sup>**



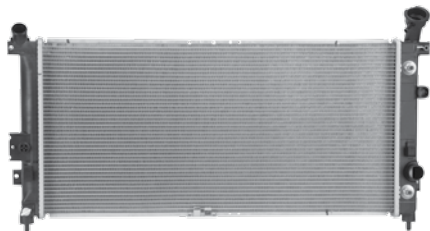
**RA2922**  
2006-2011 HONDA CIVIC 1.8L

**\$56<sup>15</sup>**



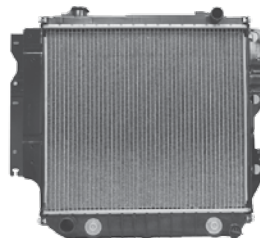
**RA2346**  
2000-2006 NISSAN SENTRA 1.8L

**\$65<sup>00</sup>**



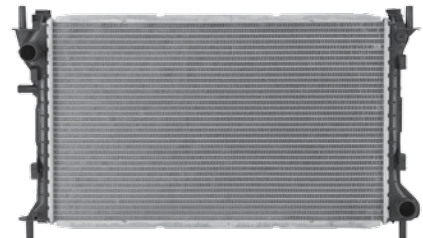
**RA2562**  
2002-07 BUICK RENDEZVOUS 3.4L

**\$73<sup>15</sup>**



**RA1682**  
1991-95 JEEP WRANGLER 2.5L

**\$81<sup>99</sup>**



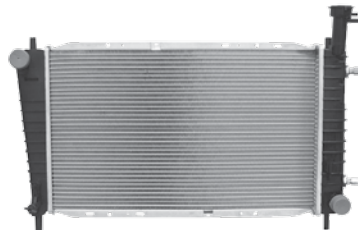
**RA2296**  
2000-2007 FORD FOCUS 2.0L

**\$53<sup>88</sup>**



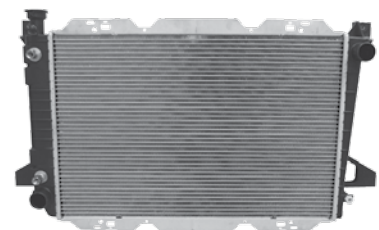
**RA2307**  
2001-2008 FORD ESCAPE 3.0L

**\$72<sup>93</sup>**



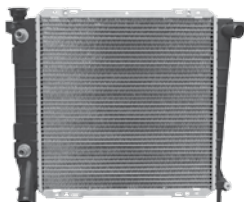
**RA1094**  
1988-95 FORD TAURUS 3.0/3.8L

**\$70<sup>23</sup>**



**RA1451**  
1985-1997 FORD F-SERIES PU

**\$117<sup>74</sup>**



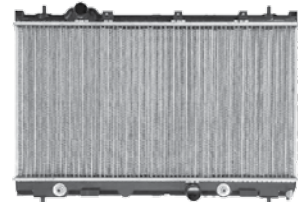
**RA1164**  
1994-1990 FORD RANGER 4.0L

**\$96<sup>24</sup>**



**RA705**  
1988-94 CHEVY S10 BLAZER 4.3L

**\$98<sup>33</sup>**



**RA2363**  
2000 - 2004 DODGE NEON

**\$64<sup>88</sup>**

Prices shown are meant to be a guide. All prices are subject to change without notice. Call for current price and availability.

# RADIATORS

## 5,000 RADIATORS IN STOCK! 100'S OF APPLICATIONS



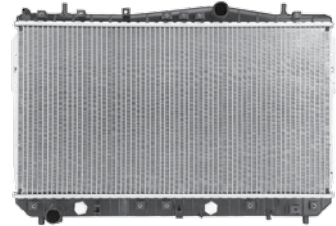
**RA1752**  
1995-99 V6 3.0L NISSAN MAXIMA

**\$70<sup>18</sup>**



**RA2215**  
1998-04 NISSAN/FRONTIER

**\$71<sup>00</sup>**



**RA2788**  
2004-07 2.0L CHEVY OPTRA

**\$90<sup>02</sup>**



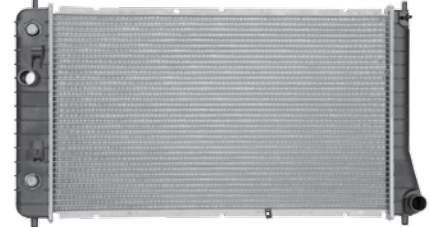
**RA2051**  
1997-01 HONDA CR-V 2.0L

**\$60<sup>00</sup>**



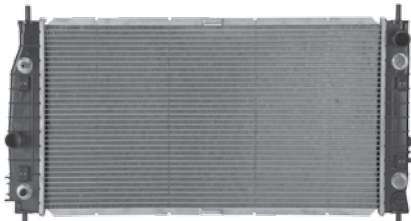
**RA618**  
1988-95 GMC C/K 1500-2500

**\$80<sup>88</sup>**



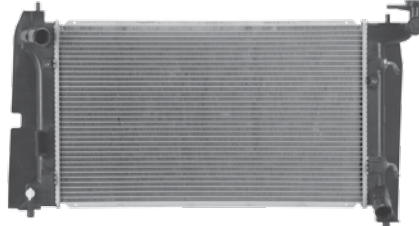
**RA1687**  
1995-02 CHEVY CAVALIER

**\$75<sup>19</sup>**



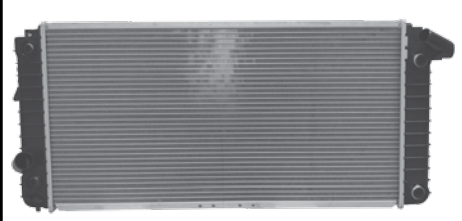
**RA2184**  
1998-04 DODGE INTREPID

**\$90<sup>23</sup>**



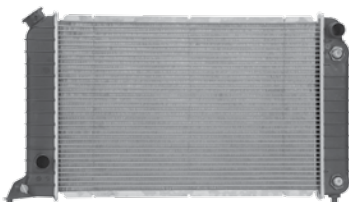
**RA2428**  
2003-08 TOYOTA COROLLA

**\$51<sup>88</sup>**



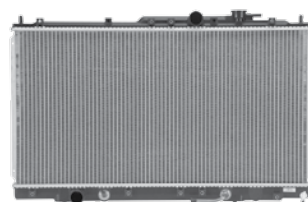
**RA1482**  
93-99 4.6L CADILLAC VARIOUS APPS

**\$89<sup>75</sup>**



**RA1531**  
1994-03 CHEVY S10 2.2L

**\$79<sup>55</sup>**



**RA2300**  
1999-02 MITSUBISHI GALANT 2.4L

**\$65<sup>41</sup>**



**RA2370**  
1999-11 SILVERADO LT 1500 5.3L

**\$122<sup>75</sup>**

Prices shown are meant to be a guide. All prices are subject to change without notice. Call for current price and availability.

# HEAVY DUTY RADIATORS / HEATER CORES

## HEAVY DUTY RADIATORS

FREIGHTLINER/STERLING  
1998 LT9522, LT9511  
CATERPILLAR ENG. 3406 LT.



**\$598<sup>00</sup>**

FRE20

FREIGHTLINER/STERLING  
2007 CST120  
DETROIT DIESEL ENG. C13 LT.



**\$595<sup>00</sup>**

FRE22

INTERNATIONAL/NAVISTAR  
2003 2574  
CUMMINS ENG. ISM LT.



**\$398<sup>00</sup>**

NAV03

VOLVO/MACK  
2007 CXN600  
MACK ENG. AC-310/330 LT.



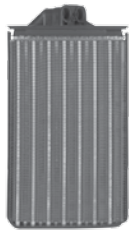
**\$488<sup>00</sup>**

VOL09

**MANY APPLICATIONS AVAILABLE!**

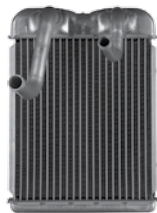
## HEATER CORES

1996 - 2005  
CHRYSLER TOWN & COUNTRY



93019 **\$48<sup>89</sup>**

1998 - 2004  
CHEVY S10 PICKUP



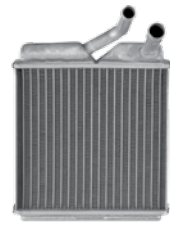
93014 **\$45<sup>89</sup>**

1999 - 2004  
JEEP GRAND CHEROKEE



93069 **\$41<sup>95</sup>**

1980-1996  
CHEVY P30



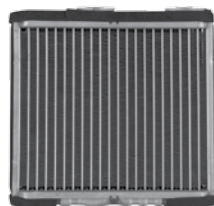
94552 **\$33<sup>80</sup>**

1997 - 2005  
BUICK CENTURY



93016 **\$43<sup>67</sup>**

1995 - 2008  
NISSAN MAXIMA



93002 **\$38<sup>86</sup>**

1995 - 2000  
KIA SPORTAGE



93006 **\$41<sup>53</sup>**

2002-2010  
CADILLAC ESCALADE



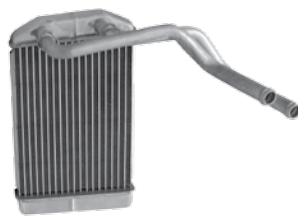
93050H **\$41<sup>52</sup>**

1997 - 2004  
FORD F-150



93001 **\$41<sup>53</sup>**

1993 - 1998  
JEEP GRAND CHEROKEE



94466 **\$49<sup>86</sup>**

1992 - 1999  
CHEVY SUBURBAN



94483 **\$40<sup>63</sup>**

1980-1996  
FORD F-150,250,350



94582 **\$33<sup>07</sup>**

Prices shown are meant to be a guide. All prices are subject to change without notice. Call for current price and availability.

# RADIATOR ACCESSORIES

## QUALITY REPLACEMENT HOSES

### BLACK OEM HEATER HOSE

50  
FOOT  
LENGTH



HBD Standard Grade

1/2"	1725	\$21.40
5/8"	1726	\$23.49
3/4"	1727	\$26.47
1"	1728	\$43.70

### 90° FORMED HEATER HOSE

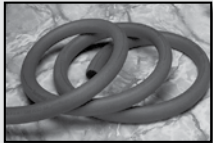


Meets or exceeds SAE20R3 D2 Specs

5/8" x 24"	P584	\$11.70
5/8" x 48"	P588	\$14.48
3/4" x 24"	P344	\$12.63
3/4" x 48"	P348	\$15.58

### RED THERMAL HEAVY DUTY HEATER HOSE

50  
FOOT  
LENGTH



HBD standard grade - 3 Ply

5/8"	4908	\$34.35
3/4"	4910	\$40.20

### RADIATOR OVERFLOW HOSE

50  
FOOT  
LENGTH



Resists radiator system additives.

5/16" x 50'	621-50	\$17.15
3/8" x 50'	620-50	\$19.25

### PART# SIZE

- HC04 - 1/4 - 5/8"
- HC06 - 5/16 - 7/8"
- HC08 - 5/16 - 1"
- HC10 - 1/2 - 1 1/8"
- HC12 - 1/2 - 1 1/4"
- HC16 - 3/4 - 1 1/2"
- HC20 - 3/4 - 1 3/4"
- HC24 - 1 - 2"
- HC28 - 1 5/16 - 2 1/4"
- HC32 - 1 9/16 - 2 1/2"
- HC36 - 1 3/4 - 2 3/4"

### STAINLESS STEEL HOSE CLAMPS



### MAHLE THERMOSTATS



MANY STYLES AVAILABLE, CALL TO ORDER!

### S. S. THERMOSTATS



195°

96-06  
CHEVROLET

4119  
**\$4.35**

MANY OTHERS AVAILABLE

### RADIATOR CAPS

16 LBS VENTED



7616

**\$3.45**

MANY OTHERS AVAILABLE

## OE CONDENSERS

2001-2005  
HONDA CIVIC

C4977



2003-2007  
HONDA ACCORD

C3086



1996-2000  
HONDA CIVIC

C4730



1998-2002  
HONDA ACCORD

C4900



## OE EVAPORATORS

1994 - 2002  
DODGE PU JEEP



27-33205

**\$52.63**

1994 - 1999  
CHEVY SUBURBAN



27-30476

**\$57.89**

## SPECTROL ANTIFREEZE

### CONCENTRATE

12103

**\$11.55**  
/Gal

EXTENDED  
LIFE



12703

CONVENTIONAL  
GREEN **\$10.95**  
/Gal



### 50/50 PRE-DILUTED

YOUR CHOICE

**\$6.95**  
/Gal



EXTENDED LIFE  
12203



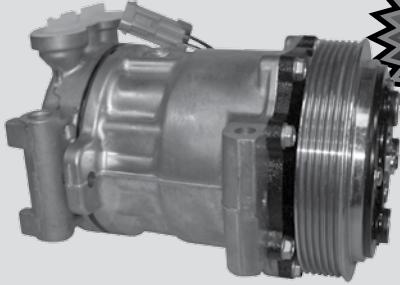
CONVENTIONAL  
GREEN - 12803

Prices shown are meant to be a guide. All prices are subject to change without notice. Call for current price and availability.

# COMPRESSORS

**BUY 3 OR MORE & SAVE \$\$\$**

**MOST POPULAR  
GM COMPRESSOR**



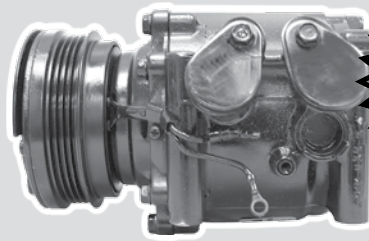
(Also Fits Some F/S Trucks)  
**CLUTCH INCLUDED**

**\$146<sup>88</sup>**  
3/MORE  
INCLUDES  
CLUTCH!

20-10658-AM  
4 SEASON 58950

**SINGLE  
PRICE  
\$156<sup>88</sup> EA**

**BUY 3 OR MORE & SAVE \$\$\$**



**\$135<sup>00</sup>**  
3/MORE  
INCLUDES  
CLUTCH!

20-90003

**94-00 HONDA CIVIC**  
1.5L / 1.6L  
**97-01 HONDA CR-V**  
2.0L

**SINGLE  
PRICE  
\$171<sup>00</sup> EA**



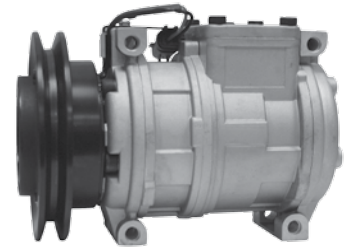
**94-97 CHEVY LUMINA  
94-96 BUICK CENTURY**  
20-10660-AM

**\$176<sup>33</sup>**  
/EACH



**93-95 CHEVY PU  
91-93 BUICK ROADMASTER**  
20-10492-AM

**\$195<sup>00</sup>**  
/EACH



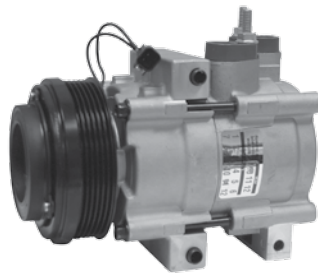
**95-99 DODGE NEON  
91-95 PLYMOUTH ACCLAIM**  
20-11500-AM

**\$168<sup>42</sup>**  
/EACH



**02-04 JEEP  
LIBERTY**  
20-04852-AM

**\$181<sup>95</sup>**  
/EACH



**06-08 CROWN VICTORIA  
06-07 LINCOLN TOWN CAR**  
20-11040-AM

**\$198<sup>75</sup>**  
/EACH



**97-03 CHEVY MALIBU  
97-05 BUICK CENTURY**  
20-10842-AM

**\$172<sup>87</sup>**  
/EACH

**ONE YEAR WARRANTY ON ALL COMPRESSORS\***

\* WARRANTY IS EXCHANGE ONLY - ONE YEAR FROM ORIGINAL PURCHASE

Prices shown are meant to be a guide. All prices are subject to change without notice. Call for current price and availability.



# COMPRESSORS



88-92  
CK SERIES  
20-10457-AM  
**\$205<sup>00</sup>**  
/EACH



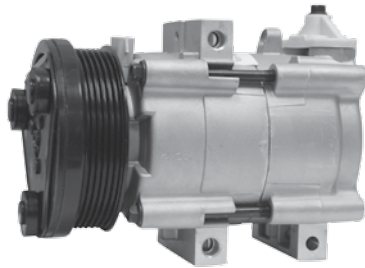
1994-95 CHEVY S10 PU  
GMC SONOMA PU  
20-11089-AM  
**\$172<sup>87</sup>**  
/EACH



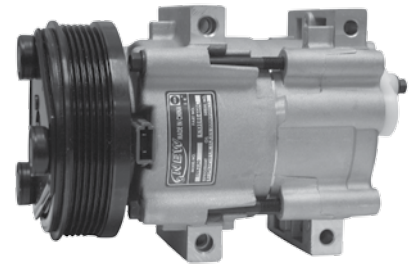
89-94 BUICK LESABRE  
89-91 PONTIAC BONNEVILLE  
20-10473-AM  
**\$158<sup>88</sup>**  
/EACH



02-05 HONDA  
CRV 2.4  
20-11242-AM  
**\$158<sup>93</sup>**  
/EACH



93-02 FORD CROWN VICTORIA  
93-02 LINCOLN TOWN CAR  
20-10790-AM  
**\$144<sup>96</sup>**  
/EACH



96-03 MERCURY SABLE  
20-10792-AM  
**\$144<sup>96</sup>**  
/EACH



99-03 CHEVY S10 PU  
S10 BLAZERS 4.3  
20-10694-AM  
**\$156<sup>88</sup>**  
/EACH



2008-12 HONDA  
ACCORD  
20-22058-AM  
**\$233<sup>08</sup>**  
/EACH

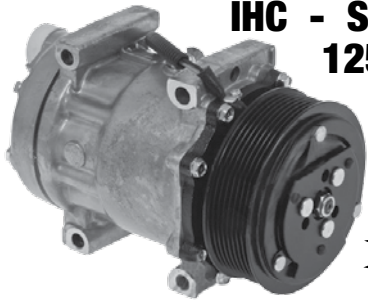


1994-97 HONDA  
ACCORD  
20-11168-AM  
**\$172<sup>00</sup>**  
/EACH

Prices shown are meant to be a guide. All prices are subject to change without notice. Call for current price and availability.

# ACCUMULATORS & DRYERS

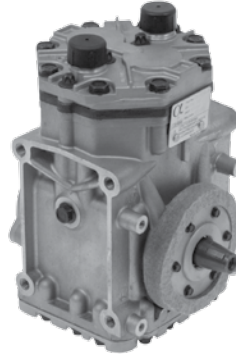
## NEW HEAVY DUTY COMPRESSORS



**IHC - SD7H15 PVG 12V  
125MM TANG GWA  
2 WIRE**

20-04815-AM  
**\$164<sup>62</sup>**

CROSS-REFERENCE #1647916C1



**FREIGHTLINER  
YORK ET210L  
AFTERMARKET**

20-10330-AM  
**\$187<sup>54</sup>**

CROSS-REFERENCE #ABP N83 30406

**HUGE STOCK AVAILABLE CALL TO ORDER!**

## OUR MOST POPULAR ACCUMULATORS & DRYERS

2002-04 JEEP LIBERTY  
1999-2001 JEEP WRANGLER



37-23527

**\$12<sup>09</sup>**

1994-95 CHEVY PICKUP C2500  
1994-95 GMC SUBURBAN C2500 3/4T



37-23279

**\$11<sup>46</sup>**

1994-02 DODGE RAM PICKUP  
1500, 2500, 3500



37-13437

**\$16<sup>12</sup>**

1994-98 BUICK SKYLARK  
1994-98 PONTIAC GRAND AM



37-23287

**\$10<sup>75</sup>**

1994-02 CADILLAC ELDORADO  
1994-99 CADILLAC DEVILLE



37-23297

**\$11<sup>46</sup>**

1986-93 FORD BRONCO  
1986-93 FORD F150 1/2 TON



37-13211

**\$14<sup>68</sup>**

1994-97 CHEVY S10 PICKUP  
1996 ISUZU HOMBRE



37-23312

**\$11<sup>85</sup>**

1995-05 CHEVY ASTRO VAN  
1995-05 GMC SAFARI VAN



37-23318

**\$12<sup>41</sup>**

1996-02 CHEVY PICKUP  
1996-02 GMC PICKUP



37-23391

**\$12<sup>17</sup>**

1994-03 CHEVY S10 PICKUP  
1994-03 GMC SONOMA S15/T15



37-23280

**\$11<sup>29</sup>**

1994-97 CHEVY LUMINA  
1994-96 BUICK CENTURY



37-23291

**\$11<sup>14</sup>**

1997-01 CHEVY MALIBU  
1999-01 PONTIAC GRAND AM



37-23446

**\$11<sup>67</sup>**

Prices shown are meant to be a guide. All prices are subject to change without notice. Call for current price and availability.

# R134A REFRIGERANT - CANS



## ESTERCOOL R134a OIL CHARGE

Compatible With all 134a Systems OEM and Retrofit

Adds 2 oz. of 134a Lubricant Without Discharging System

4OZ. - 9147 **\$368**



## R134a STOP LEAK WITH RED DYE

- Seals Leak in Orings & Gaskets
- R134a Refrigerant
- Red Leak Detection Dye
- No UV Light Necessary to View the Dye

4OZ. - AC9140 **\$413**



## KWIK SEAL A/C STOP LEAK & CONDITIONERS

Easy To Install Hose No Other Tools Needed

9165 **\$23<sup>88</sup>**



## EXTREME COLD

HIGH PERFORMANCE REFRIGERANT ADDITIVE LOWERS DUCT TEMPERATURE UP TO 15%

- Install in R134a Systems Only
- 2oz R134a + 2oz Extreme Cold

4OZ. - AC9150 **\$488**



## R134a REFRIGERANT W/LEAK STOP & NEW VISUAL RED DYE

- CONTAINS 12 OZ. R134Aa, and 1 oz of Leak Stop with NEW VISUAL RED DYE and Oring conditioner.
- NO UV LEAK DETECTION LIGHT NEEDED.

13OZ. AC618 **\$6<sup>99</sup>**



## R134a REFRIGERANT With Extreme Cold Synthetic Booster

- Contains 11 oz R134a 2 oz Extreme Cold Synthetic Booster.
- Lowers Duct Temps up to 15% - Compatible with all Ester & PAG oils.
- Extends Compressor Life Restores Seals & Orings.

13OZ. AC685 **\$744**



## R134a REFRIGERANT WITH UV DYE

- CONTAINS 12.5 OZ. R134Aa with UV Leak Detection Dye.
- Pin point leaks for quicker repair or add to system to identify future leaks if they occur.
- Compatible with all Ester & PAG oils.

13OZ. AC623 **\$10<sup>85</sup>**



## R134a REFRIGERANT FOR HIGH MILEAGE VEHICLES

- Formulated for Older A/C Systems
- Offers Extra Wear Protection

13OZ. AC675 **\$746**

Prices shown are meant to be a guide. All prices are subject to change without notice. Call for current price and availability.

# A/C CHEMICALS - OILS

## OE VISCOSITY PAG OIL 46-100-150 FOR MOBILE A/C SYSTEMS



**PAG 46**  
AC2485 QUART.  
**\$15<sup>41</sup>**



**PAG 100**  
AC2488 QUART.  
**\$15<sup>41</sup>**



**PAG 150**  
AC2491 QUART.  
**\$15<sup>41</sup>**

As Recommended by OE and Compressor Manufacturers - For Use with R134a Only

### OE VISCOSITY PAG OIL FOR MOBILE A/C SYSTEMS



For Use with R134a Only

**PAG 46**  
AC2484 8OZ.

**PAG 100**  
AC2487 8OZ.

**PAG 150**  
AC2490 8OZ.

**\$4<sup>97</sup>**  
EACH

### UNIVERSAL PAG OIL



Compatible with Mineral, Ester, Paraffin & other PAG Oils. Can be used in R134a & R12 mobile A/C systems. Non-Corrosive

**8 OZ.** **QUART**  
2468 AC2472  
**\$4<sup>88</sup>** **\$16<sup>48</sup>**

**GALLON**  
AC2475  
**\$64<sup>15</sup>**

### UNIVERSAL PAG OIL w/ Fluorescent Leak Detector

**QUART** **\$19<sup>75</sup>** **GALLON** **\$75<sup>04</sup>**  
AC2480 AC2481

### ESTER OIL

R12 & R134a Refrigerant Oil



Compatible with Mineral, Ester, Paraffin & PAG Oil. One oil for all applications



**QUART**  
2432  
**\$14<sup>95</sup>**

**GALLON**  
2439  
**\$53<sup>92</sup>**

### DYESTERCOOL OIL

R12 & R134a Refrigerant Oil



Compatible with Mineral, Ester, Paraffin & PAG Oil. One oil for all applications



**QUART**  
2445  
**\$16<sup>39</sup>**

**GALLON**  
2447  
**\$60<sup>08</sup>**

Prices shown are meant to be a guide. All prices are subject to change without notice. Call for current price and availability.

# A/C FLUSH CHEMICALS



## MINERAL OIL

For use in R12 Automotive A/C Systems.  
525 Viscosity

Quart - 2205

**\$8<sup>96</sup>**



## A/C HYBRID VEHICLE OIL

- Use in A/C System in Hybrid vehicles
- Consult manufacturer's specification for vehicle specs and oil capacity

8OZ. - 2450

**\$11<sup>26</sup>**



## OIL AND FLUID DYE

Gasoline or Diesel Engine Oil, Transmission Oil, Power Steering, Gasoline & Diesel Fuel

1OZ. - AC4923

**\$4<sup>32</sup>**

## A/C FLUSH CHEMICALS AND KIT SUPPLIES!

### EXTREME KLEAN A/C FLUSH SOLVENT



- Removes oil and contaminants within the a/c system
- Compatible with all Mobile A/C Refrigerants and Oils
- EVAPORATES - NO RESIDUE

GALLON  
AC2401  
**\$31<sup>43</sup>**

QUART  
AC2400  
**\$9<sup>40</sup>**

### A/C FLUSH IN A BUCKET ASSORTMENT

Contains everything necessary to flush a mobile A/C system.



1996  
**\$149<sup>61</sup>**



### KWIK KLEAN AEROSOL FLUSH

17oz.  
AC2407

**\$12<sup>99</sup>**



### NON OIL BASE FLUSH

GALLON  
AC2406

**\$29<sup>98</sup>**

### EQUIPMENT FLUSH

Removes Harmful Leak Stop Agents & Contaminants



QUART  
AC2130

**\$13<sup>04</sup>**

### FLUSH SOLVENT



GALLON  
2128

**\$55<sup>41</sup>**

QUART  
2032

**\$14<sup>83</sup>**

### FLUSH NOZZLE

Designed specifically for A/C FLUSH SOLVENT or equivalent.



2712

**\$14<sup>44</sup>**

### A/C SYSTEM FLUSH KIT

Excellent for quickly & effectively removing refrigerant oil debris during retrofitting or compressor replacement.



**\$44<sup>00</sup>**  
AC91046-A

Prices shown are meant to be a guide. All prices are subject to change without notice. Call for current price and availability.

# UV LEAK DETECTION / DYES / INJECTORS

## FLEX-N-GLO UV LEAK DETECTOR

AC53512  
**\$41<sup>88</sup>**

Mastercool Inc.



## ADJUSTABLE FOCUS LED BLUE LIGHT W/ STROBE EFFECT

AC4966  
**\$37<sup>65</sup>**



## UV SAFETY GLASSES

Enhances Dye making leak detection easier. Blocks harmful UV rays.



AC4958  
**\$73<sup>1</sup>**

## FLUORESCENT DYE KIT

AC4971  
**\$104<sup>88</sup>**



## PROFESSIONAL UV LEAK DETECTOR KIT



AC53351

**\$59<sup>82</sup>**

Reveals Leaks In All Automotive Operating Systems A/C, Oil & Fuel, Cooling Systems And Body Leaks

## DELUXE ELECTRONIC LEAK DETECTOR

5120  
**\$269<sup>17</sup>**



### FEATURES:

- Detects all CFC, HFC, HCFC, & new HFO Refrigerants
- Heated sensor technology
- Automatic calibration
- 3 Sensitivity levels
- Operates on 4 AA batteries
- Compliant with SAE J2791

## OIL / DYE INJECTOR

### REFILLABLE UNIVERSAL DYE/OIL INJECTOR (without dye)



AC53123-A **\$85<sup>46</sup>**

### "CARTRIDGE TYPE" UNIVERSAL DYE/OIL INJECTOR



AC53223 **\$88<sup>86</sup>**

### R-134A DYE INJECTOR (Required for A/C Additives)



R134a 2733 **\$33<sup>31</sup>**

## FUEL - MOTOR OIL - TRANSMISSION POWER STEERING DYE



1oz. - AC4923

**\$4<sup>32</sup>**



8oz. - AC4924

**\$27<sup>95</sup>**

## VISUAL RED A/C LEAK DETECTION DYE



1oz - AC4933

**\$3<sup>95</sup>**



8oz - AC4934

**\$24<sup>95</sup>**

## CONCENTRATED UNIVERSAL DYES

Universal Dye - 25 Apps

AC53825  
**\$27<sup>22</sup>**

Concentrated Dye 10 Apps

2oz. - AC53810  
**\$14<sup>65</sup>**



## AC DYES

### DyeFree™ FLUORESCENT DYE CLEANER

- Removes fluorescent leak detection dye from areas where leaks are found and repaired.
- Spray on and wipe off.

32 fl. oz. AC4946

**\$87<sup>5</sup>**



## FLUORESCENT LEAK DETECTION DYES

Dye can be detected using any UV or Blue Light

4oz. - 4916

**\$19<sup>23</sup>**

8oz. - 4917

**\$34<sup>51</sup>**



Prices shown are meant to be a guide. All prices are subject to change without notice. Call for current price and availability.

# VACUUM PUMPS / ACCESSORIES

## SINGLE STAGE ROTARY VANE DEEP VACUUM PUMPS

These pumps feature lightning fast design that removes moisture and Non-Condensable gases that can destroy any A/C or refrigeration system.



**3.0 CFM**  
AC6909  
**\$143<sup>61</sup>**

*FJC, Inc.*



**5.0 CFM**  
AC6912  
**\$169<sup>29</sup>**

*FJC, Inc.*

PART #	CFM	MICRON RATING	FITTING SIZE	VOLTAGE	MOTOR	MOTOR RPM	OIL CAP OZ.	WEIGHT LBS.
AC6909	3.0	75	1/4" MF X 1/2" ACME	115V, 60 HZ	1/3 HP	1725	8.0	17.4
AC6912	5.0	75	1/4" MF X 1/2" ACME	115V, 60 HZ	1/3 HP	1725	8.0	22.40

### 3.0 CFM VACUUM PUMP PLUS R134A MANIFOLD GAUGE SET ASSORTMENT



AC9281  
**\$155<sup>00</sup>**

### VACUUM PUMP OIL

Meets specifications for all Rotary Vane Vacuum Pumps.

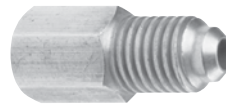


8 oz.  
AC2202  
**\$298**

QUART  
2200  
**\$684**



### VACUUM PUMP ADAPTER



AC6014 **\$265**

- 1/4" Flare Female x 1/2" ACME Male.
- Connects 1/2" ACME R134a Hose to 1/4" service Port on Vacuum Pump.

### 5 CFM VACUUM PUMP (TWO STAGE)

#### FEATURES

- High Efficiency Two Stage 5 CFM Pump
- Internal Check Valve on Pump Access Fitting Prevents Oil Blowout
- Ultimate Vacuum 25 Microns
- Manifold Valve Isolates Pump from the System when Testing for Leaks
- Easy Access Oil Fill Port
- 3 Inlet Port Sizes: 1/4", 3/8" SAE & 1/2" ACME
- 1/3 HP 110 Volt Motor
- Gas Ballast Valve Helps Prevent Oil Contamination
- Weight - 38 lbs
- Oil Capacity - 8oz



AC90066  
**\$257<sup>08</sup>**

### AIR OPERATED LIGHT DUTY VACUUM PUMP

Requires 4.5 CFM/90 PSI shop air. No moving parts, no oil required, 1.3 CFM air displacement venturi type pump will pull up to 29 inches of vacuum (Hg) at sea level. Includes 1/4" flare (R12) connection and 1/2" ACME (R134a) connection.



AC91200 **\$688<sup>5</sup>**

### VACUUM PUMP SWIVEL ADAPTER



AC82031  
**\$1205**

"T" style adapter screws onto existing 1/4" flare fitting and converts to 1/4"-FL and 1/2 ACME



### COMPRESSOR QUIET

Compressor Oil Additive designed to help Silence Noisy Compressors

2 oz. - AC9159  
**\$395**

Prices shown are meant to be a guide. All prices are subject to change without notice. Call for current price and availability.

# R134A REFRIGERANT PRODUCTS



## We NOW CARRY HFO-1234YF REFRIGERANT

- Comparable energy efficiency & capacity compared to R-134a
- Cost-effective, near drop-in replacement for R-134a

Call for Current Pricing



## R134a REFRIGERANT

134A30  
30 LB.  
TANK

134A12  
12oz.  
CANS  
12/CASE

**CALL FOR  
QUOTES**

**MADE IN  
THE USA**

## R-134a REFRIGERANT PLUS

- Contains 16 oz. R134a PLUS, 3 oz. Extreme Cold™, Leak Sealer and Conditioners.



19oz. AC525  
**\$20<sup>98</sup>**

REFRIGERANT PLUS  
REFILL AVAILABLE  
AC528  
**\$11<sup>97</sup>**  
EA

## R134A CHARGE TOOLS

### R134a CAN TAP VALVE

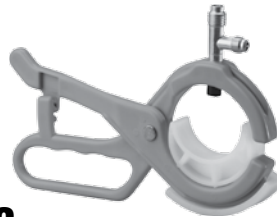


Brass Dispensing Valve for R134a Cans with 1/2" ACME Fittings

AC6030  
**\$4<sup>21</sup>**

### SIDEMOUNT R134a CAN TAP

For Use w/all R134a or R12 Small Cans of Refrigerant or Oil Charge



**\$10<sup>92</sup>**

AC85530

### R134A U-CHARGE HOSE

For use in adding R134a refrigerant or additives to vehicle. Lowside gauge monitors pressure to aid in getting a correct charge



AC6036

**\$12<sup>28</sup>**

## PRO-CHARGE A/C CHARGING SCALE

- 9" X 9" PLATFORM
- 175 LB CAPACITY
- ACCURATE TO +/- 1/2 OZ.
- BUBBLE KEY PAD



Note: Remove scale from case as shown above before using.

AC2850  
**\$149<sup>53</sup>**

## ACCU-CHARGE II A/C CHARGING SCALE

Platform  
Level Eye



AC98210-A  
**\$183<sup>47</sup>**



Adjustable Leveling  
Feet

Prices shown are meant to be a guide. All prices are subject to change without notice. Call for current price and availability.



# MANIFOLD GAUGE SET / R134A HOASES

## MANIFOLD GAUGE SET



### R134a DIGITAL MANIFOLD GAUGE SET

Digital Manifold Includes Refrigerant & Oil Capacities for over 1000 vehicle makes & models

INCLUDES:  
Digital Manifold, 3 72" hoses,  
Manual Couplers & a Plastic Case.

AC99872-A

**\$187<sup>65</sup>**



### R12 2-WAY MANIFOLD GAUGE SET

WITH AUTO SHUT-OFF VALVES AND BLUE/RED/YELLOW 72" HOSES.

AC95772  
**\$99<sup>85</sup>**



### R134A ALUMINUM 2-WAY MANIFOLD GAUGE SET

WITH MANUAL COUPLERS AND BLUE/RED/YELLOW 72" HOSES.

AC89772  
**\$165<sup>05</sup>**



### R134a ALUMINUM BLOCK MANIFOLD GAUGE SET W/72" HOSES

Block design with sight glass & anti-flutter design gauges. Additional access port.

AC6761  
**\$78<sup>87</sup>**



### R134a BRASS MANIFOLD GAUGE SET W/72" HOSES

Brass body design. Anti-flutter design gauges

AC6715  
**\$74<sup>06</sup>**

## R134A HOASES

### R134A 36" HOSE SET



Set Includes:  
Blue, Red  
& Yellow  
Hoses

6553  
**\$21<sup>83</sup>**

### INDIVIDUAL 72" R-134a HOSES

72" YELLOW HOSE  
w/Shut-Off Valve

AC84722 **\$23<sup>16</sup>**

72" BLUE HOSE

AC84721 **\$17<sup>73</sup>**

72" RED HOSE

AC84723 **\$18<sup>06</sup>**

## SHUT-OFF VALVE

### STRAIGHT MANUAL SHUT-OFF VALVE

Ball valve design with flexible hose controls refrigerant with a quarter turn of the valve handle. Meets SAE, EPA & UL requirements for containment of refrigerant. One hand operation. Screws onto charging hose end.



AC90263 BLUE 1/4 x 1/4"

**\$16<sup>23</sup>**  
EACH



AC90264 YELLOW 1/4 x 1/4"

**\$16<sup>36</sup>**  
EACH

## SERVICE TOOL KITS



### MASTER A/C CHARGING ADAPTER REPAIR KIT

126 piece assortment of replacement gaskets, o-rings and depressors for charging hoses & adapters. Also includes valve core removal tool & replacement valve cores.

AC91335

**\$49<sup>37</sup>**

### R134A MANUAL SERVICE COUPLERS

AC82834 - HI-SIDE RED  
AC82934 - LO-SIDE BLUE



**\$27<sup>29</sup>**  
EA

Prices shown are meant to be a guide. All prices are subject to change without notice. Call for current price and availability.

# O-RING AND WASHER ASSORTMENTS

## MASTER SEALING WASHER ASSORTMENT



- 15 Part Numbers - 47 Pieces
- GM and Chrysler Sealing Washers

O'Ring Wall Chart Included

AC4296

**\$35<sup>91</sup>**

## CHRYSLER O-RING & GASKET ASSORTMENT

1990 to 2005



- 27 Part Numbers / 204 Pieces
- Green HNBR & Metal Gaskets
- O-Ring Wall Chart Included

AC4287

**\$39<sup>25</sup>**

## DELUXE O-RING ASSORTMENT



All O-Rings are High Temperature Green HNBR

- 34 Most Popular Sizes
- 350 Pieces

AC4275

**\$55<sup>10</sup>**

## TOP FOUR O-RING ASSORTMENT



- 4 Most Popular Sizes
- 100 Pieces
- Green HNBR

AC4279

**\$9<sup>86</sup>**

## SPRAY O-RING LUBRICANT



Easy Aerosol spray lubricant prepares O'Ring & gaskets prior to installation in A/C systems.

AC2206

**\$4<sup>47</sup>**

## GM SEALING WASHER ASSORTMENT



- 4 Part Numbers / 24 Pieces Each
- 3 Most Popular GM Sealing Washers
- Insert for Sealing Washers

AC4294

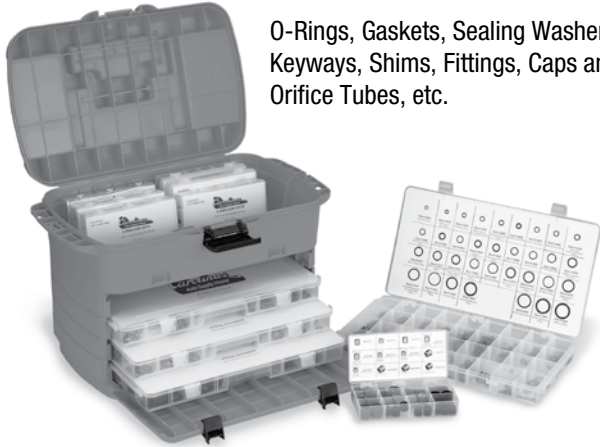
**\$19<sup>41</sup>**

Prices shown are meant to be a guide. All prices are subject to change without notice. Call for current price and availability.

# O-RING ASSORTMENTS / ORIFICE TUBES

## PRO-SERIES SERVICE ITEM ASSORTMENT

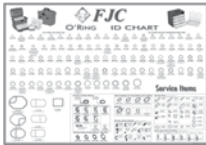
All O-Rings are High Temperature Green HNBR



O-Rings, Gaskets, Sealing Washers, Keyways, Shims, Fittings, Caps and Orifice Tubes, etc.

- 12 Compartments for Easy Storage
- Total 208 Part Numbers
- Total 1006 Pieces
- Sturdy Case

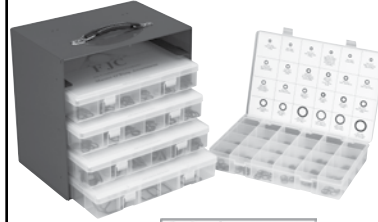
O-Ring Wall Chart Included



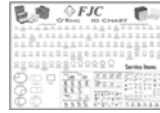
**43655**  
**\$475.00**  
EA.

## PRO-SERIES O-RING ASSORTMENT

All O-Rings are High Temperature Green HNBR



O-Ring Wall Chart Included



- Complete Coverage of O-Rings and Gaskets
- Total 112 Part Numbers
- Metal Storage Case
- Total 609 Pieces

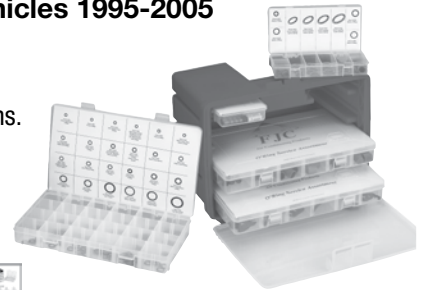
AC4420  
**\$212.36**

## DELUXE SERVICE ITEM ASSORTMENT

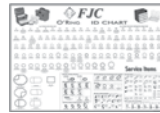
For Vehicles 1995-2005

KIT CONTAINS: O-Rings, Gaskets, Sealing Washers, Caps and other service items.

- Convenient Carrying Case
- Total 605 Pieces
- Total 118 Part Numbers



O-Ring Wall Chart Included



AC4415  
**\$126.17**

# ORIFICE TUBES / TOOLS

## LATE MODEL ORIFICE TUBES

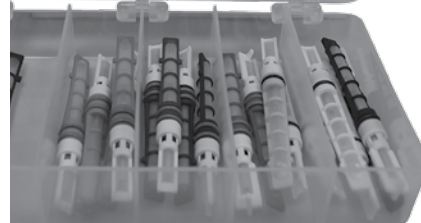
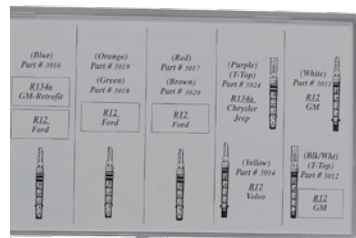


**95¢ - \$9.00**

Application	COLOR	PART #
Chrysler	Blk/Wht	31-50010
Ford	Red	31-50003
Ford	Brown	AC3020
Ford	Green	AC3018
Ford	Blue	31-50002
GM	Yellow	AC3014
GM	White	31-50001

**OTHER APPLICATIONS AVAILABLE**

## 20 PC. ORIFICE TUBE ASSORTMENT



Contains 2 each of 11 different orifice tubes

AC3007  
**\$19.48**

## ORIFICE TUBE REMOVER / INSTALLER KIT



Easily Removes Orifice Tubes without Damage. Storage Case Included. For Standard and "T" Top Orifice Tubes.

2830  
**\$24.44**

## GM & FORD ORIFICE TUBE REMOVER/INSTALLER

Used on all GM (CCOT) and Ford (FOTCC) systems with evaporator inlet orifice tube



**\$13.08**

AC91002

Prices shown are meant to be a guide. All prices are subject to change without notice. Call for current price and availability.

# HOSE CRIMPERS / EXPANSION VALVES

## A/C BARRIER HOSES

SOLD IN 50 FOOT LENGTHS



#12 5/8" I.D.

34-13403-50

**\$140<sup>00</sup>**  
/EACH



#10 1/2" I.D.

34-13402-50

**\$110<sup>00</sup>**  
/EACH



#8 13/32" I.D.

34-13401-50

**\$98<sup>00</sup>**  
/EACH



#6 5/16" I.D.

34-13400-50

**\$76<sup>00</sup>**  
/EACH

## AC TACKY TAPE



**\$11<sup>97</sup>**

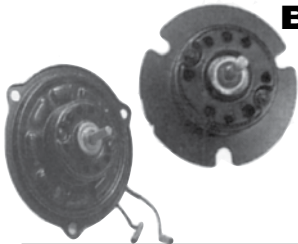
AC2862

2" X 30'  
cork rubber tape

## BLOWER MOTORS

GM • FORD • CHRYSLER  
• IMPORTS

For specific application -  
Order by Year,  
Make & Model. Specify with  
or without A/C



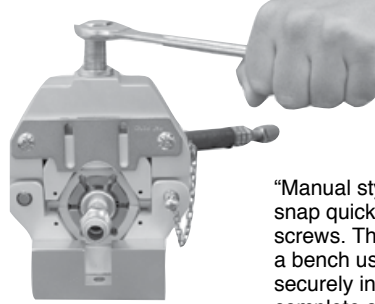
## RADIATOR COOLING FAN MOTORS

HUNDREDS OF APPLICA-  
TIONS AVAILABLE

CALL TODAY  
FOR CURRENT PRICING!



## A/C HOSE CRIMPER



ACT1550  
**\$211<sup>02</sup>**

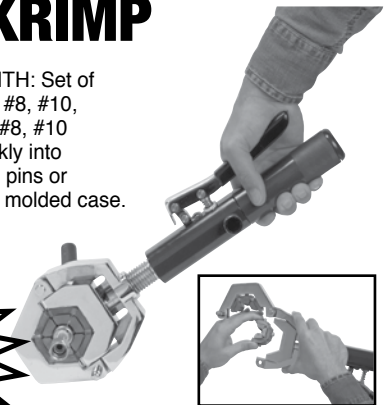
"Manual style" A/C hose crimper. The dies snap quickly into place requiring no pins or screws. The unit can be easily mounted to a bench using the holding fixture or held securely in a vice. This kit comes with a complete set of dies covering standard hose sizes #6, #8, #10, and #12.

Mastercool inc.

## HYDRA-KRIMP

KIT COMES COMPLETE WITH: Set of dies covering hose sizes #6, #8, #10, #12 and reduced barrier #6, #8, #10 and #12. The dies snap quickly into the press fixture requiring no pins or screws. Kit comes in custom molded case.

ACT1500  
**\$635<sup>00</sup>**



Mastercool inc.

## CRIMP SHELLS

PART #	HOSE I.D.	PRICE
35-13006-L	#6	\$0.50
35-13008-L	#8	\$0.50
35-13010-L	#10	\$0.36
35-13012-L	#12	\$0.39



## EXPANSION VALES

**31-30901-AM**



Ford Cars  
68-72  
Ford Trucks  
78-86; 71-74  
Imports

**\$15<sup>28</sup>**

**31-31012-AM**



Nissan Quest  
93-98  
Ford Windstar  
3.0, 3.8  
97-98  
Jeep Wrangler  
2.5 4.0  
93-96

**\$14<sup>25</sup>**

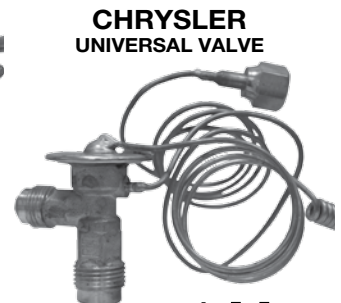
**17-103**



Ford  
Cars &  
Trucks  
75-87

**\$8<sup>36</sup>**

**31-10703-AM**



CHRYSLER  
UNIVERSAL VALVE

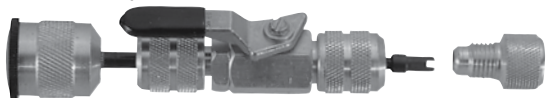
**\$11<sup>50</sup>**

Prices shown are meant to be a guide. All prices are subject to change without notice. Call for current price and availability.

# R12 & R134A VALVE CORES

## STANDARD VALVE CORE REMOVER/INSTALLER

Sturdy ball valve design controls refrigerant flow with 1/4 turn of the valve lever. Lever position also gives visual indication of whether valve is opened or closed.



**STANDARD**  
AC91490 **\$29<sup>07</sup>**

**ADAPTER**  
AC91494 **\$2<sup>26</sup>**

## VALVE CORE REMOVER WITH VALVE CORES FOR R12

Quickly removes valve cores. Storage area, includes six replacement access valve cores.

AC90376  
**\$7<sup>57</sup>**



## UNIVERSAL R12 / R134a MASTER KIT



AC2750

**\$82<sup>18</sup>**

## R12 & R134a VALVE CORE ASSORTMENT



- 5 Different valve cores.
- Valve Core Tools for Standard & Large Valve Cores.
- 7 Part Numbers
- 37 Pieces

AC2680

**\$42<sup>87</sup>**

### STANDARD



AC2672

**.36<sup>c</sup>**

### GM HIGH FLOW



AC2673

**\$1<sup>70</sup>**

### JRA HIGH FLOW



AC2674

**\$1<sup>42</sup>**

### VOLVO



AC2675

**\$1<sup>96</sup>**

### 8mm LOW SIDE



AC2676

**\$2<sup>10</sup>**

### 10mm HIGH SIDE



AC2677

**\$2<sup>30</sup>**

## OE R134a REPLACEMENT SERVICE PORT ASSORTMENT



- Replacement R134a Service Ports
- 4 Part Numbers
- 8 Pieces

AC2685

**\$35<sup>64</sup>**

Prices shown are meant to be a guide. All prices are subject to change without notice. Call for current price and availability.

# HEAVY DUTY A/C SUPPLIES

## HEAVY DUTY TRUCK AC SERVICE ASSTORTMENT



23 PART#  
144 PIECES  
**\$41<sup>88</sup>**

## HEAVY DUTY TRUCK STAT SEAL KIT



5 PART  
NUMBERS  
10 PIECES  
**4459**  
**\$6<sup>25</sup>**

## HEAVY DUTY SERVICE ITEM ASST.

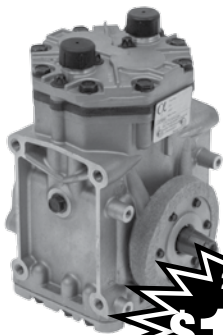
KIT CONTAINS:  
ORINGS,  
GASKETS,  
SEALING WASHERS,  
CAPS & OTHERS  
SERVICE ITEMS



118 PART  
NUMBERS  
542 PIECES  
WALL MOUNT  
STORAGE CASE

**4465**  
**\$169<sup>75</sup>**

## HEAVY DUTY COMPRESSORS FREIGHTLINER YORK ET210L AFTERMARKET



CROSS-REFERENCE  
#ABP N83 30406

20-10330-AM  
**\$187<sup>54</sup>**

## R1234YF ALUMINUM MANIFOLD GAUGE SET

SERVICE R1234YF  
SYSTEMS  
72" CHARGING  
HOSES  
MANUAL  
COUPLERS



AC6850  
**\$135<sup>00</sup>**

## REPLACEMENT FILTERS

FILTER FOR ROBINAIR  
A/C RECOVERY SYSTEM



6998  
**\$38<sup>00</sup>**

## R1234YF MANIFOLD GAUGE SET CONVERSION KIT, COUPLERS & FITTINGS

HIGH SIDE  
MANUAL COUPLER  
W/M12 FITTING



AC6801

LOW SIDE  
MANUAL COUPLER  
W/M12 FITTING



AC6802

**\$25<sup>88</sup>**  
/EA

COUPLER TO  
1/4" HOSE  
ADAPTER



AC6826

COUPLER TO  
R134A HOSE  
ADAPTER



AC6827

**\$2<sup>68</sup>**  
/EA

## R1234YF CONVERSION KIT WITH MANUAL COUPLERS



AC6820

**\$60<sup>88</sup>**  
/EA

## HEAVY DUTY COOLING SYSTEM PRESSURE TEST & REFILL KIT



43655  
**\$475<sup>00</sup>**  
EA.

Prices shown are meant to be a guide. All prices are subject to change without notice. Call for current price and availability.

VEHICLE	PAGE	VEHICLE	PAGE	VEHICLE	PAGE
<b>ACURA</b>	<b>1</b>	<b>FORD (Cont.)</b>	<b>28</b>	<b>LEXUS (Cont.)</b>	<b>60</b>
Accumulator/Receiver Driers	1	Expansion Valve/Orifice Tubes	33	Evaporator Cores	60
Automotive A/C Kits	1	Hose Assembly-Discharge	37	Expansion Valves	61
Compressors	1	Hose Assembly-Liquid Line	37	Relay-Blower Motor	61
Evaporator Cores	1	Hose Assembly-Manifold	37	Relay-Engine Cooling Fan Motor	61
Expansion Valves	1	Relay-Accessory Power	38	Relay-System	61
Relays	1	Relay-Blower Motor	38	<b>LINCOLN</b>	<b>61</b>
<b>AUDI</b>	<b>1</b>	Relay-Compressor Control	39	Accumulator/Receiver Driers	61
Accumulator/Receiver Driers	1	Relay-Engine Cooling Fan Motor	40	Compressors	61
Automotive A/C Kits	1	Switch-Clutch Cycle	41	Evaporator Cores	61
Compressors	2	Switch-Pressure Transducer	44	Expansion Valve/Orifice Tubes	61
Evaporator Cores	2	<b>GEO</b>	<b>44</b>	Hose Assembly-Discharge	61
Expansion Valves/Orifice Tubes	2	Accumulator/Receiver Driers	44	Hose Assembly-Manifold	62
<b>BMW</b>	<b>3</b>	Expansion Valves	44	Relay-Accessory Power	62
Automotive A/C Kits	3	<b>GMC</b>	<b>44</b>	Relay-Compressor Control	62
<b>BUICK</b>	<b>3</b>	Accumulator/Receiver Driers	44	Switch-Clutch Cycle	62
Automotive A/C Kits	3	Automotive A/C Kits	45	Switch-Pressure Transducer	62
Expansion Valves/Orifice Tubes	3	Compressors	45	<b>MAZDA</b>	<b>62</b>
Switch-Clutch Cycle	3	Evaporator Cores	47	Accumulator/Receiver Driers	62
Switch-Pressure Transducer	4	Expansion Valve/Orifice Tubes	48	Automotive A/C Kits	62
<b>CADILLAC</b>	<b>4</b>	Hose Assembly-Manifold	52	Compressors	62
Accumulator/Receiver Driers	4	Switch-Clutch Cycle	52	Evaporator Cores	63
Automotive A/C Kits	4	Switch-Pressure Transducer	53	Expansion Valve/Orifice Tubes	63
Compressors	4	<b>HONDA</b>	<b>54</b>	Switch-Clutch Cycle	63
Evaporator Cores	5	Accumulator/Receiver Drier	54	Switch-Pressure Transducer	63
Expansion Valve-Orifice Tubes	5	Automotive A/C Kits	55	<b>MERCURY</b>	<b>63</b>
Sensor-Refrigerant Temp	5	Compressor	55	Accumulator/Receiver Driers	63
Switch-Clutch Cycle	5	Evaporator Cores	56	Automotive A/C Kits	63
Switch-Pressure	5	Expansion Valve	56	Compressors	63
Switch-Pressure Transducer	5	Hose Assembly-Discharge	56	Evaporator Cores	64
<b>CHEVROLET</b>	<b>6</b>	Relay-Engine Cooling Fan Motor	56	Expansion Valve/Orifice Tubes	64
Accumulator/Receiver Drier	6	Relay-System	56	Hose Assembly-Discharge	64
Automotive A/C Kits	6	<b>HUMMER</b>	<b>56</b>	Hose Assembly-Liquid Line	64
Compressor	6	Accumulator/Receiver Drier	56	Hose Assembly-Manifold	64
Evaporator Cores	9	Compressor	56	Relay-Accessory Power	64
Expansion Valve/Orifice Tubes	11	Evaporator Cores	56	Relay-Blower Motor	65
Hose Assembly-Manifold	16	Expansion Valve-Orifice Tube	56	Relay-Compressor Control	65
Sensor-Refrigerant Temp	16	Switch-Clutch Cycle	57	Relay-Engine Cooling Fan	65
Switch-Clutch Cycle	16	<b>HYUNDAI</b>	<b>57</b>	Switch-Clutch Cycle	65
Switch-Pressure Transducer	18	Expansion Valve/Orifice Tube	57	<b>MITSUBISHI</b>	<b>65</b>
<b>CHRYSLER</b>	<b>21</b>	<b>INFINITI</b>	<b>57</b>	Accumulator/Receiver Driers	65
Accumulator/Receiver Drier	21	Accumulator/Receiver Driers	57	Expansion Valves	65
Automotive A/C Kits	21	Switch-Pressure Transducer	57	Switch-Pressure Transducer	66
Compressor	21	Switch-Trinary	57	<b>NISSAN</b>	<b>66</b>
Evaporator Cores	21	<b>ISUZU</b>	<b>58</b>	Accumulator/Receiver Driers	66
Hose-Liquid Line	22	Accumulator/Receiver Driers	58	Compressors	66
Relay-Compressor Control	22	Automotive A/C Kits	58	Evaporator Cores	66
Switch-Clutch Cycle	22	Compressors	58	Expansion Valve/Orifice Tubes	66
Switch-Pressure Transducer	22	Expansion Valve-Orifice Tubes	58	Hose Assembly-Discharge	67
<b>DODGE</b>	<b>23</b>	Switch-Clutch Cycle	58	Hose Assembly-Suction	67
Accumulator/Receiver Driers	23	Switch-Pressure Transducer	58	Switch-Clutch Cycle	67
Automotive A/C Kits	23	<b>JAGUAR</b>	<b>58</b>	Switch-Pressure Transducer	67
Compressors	23	Compressor	58	Switch-Trinary	67
Condensers	23	Expansion Valve-Orifice Tubes	58	<b>OLDSMOBILE</b>	<b>67</b>
Evaporator Cores	23	<b>JEEP</b>	<b>58</b>	Compressor	67
Expansion Valve/Orifice Tubes	25	Accumulator/Receiver Driers	58	Expansion Valve-Orifice Tubes	67
Hose Assembly-Liquid Line	25	Compressors	58	Sensor-Refrigerant Temp	68
Relay-Blower Motor	26	Evaporator Cores	58	Switch-Clutch Cycle	68
Relay-Compressor Control	26	Expansion Valve/Orifice Tubes	59	Switch-Pressure	68
Relay-Engine Cooling Fan Motor	27	Hose Assembly-Discharge	59	Switch-Pressure Transducer	68
Switch-Clutch Cycle	27	Hose Assembly-Liquid Line	59	<b>PLYMOUTH</b>	<b>68</b>
Switch-Transducer Pressure	27	Relay-Compressor Control	59	Switch-Pressure Transducer	68
<b>EAGLE</b>	<b>28</b>	Relay-Engine Cooling Fan Motor	60	<b>PONTIAC</b>	<b>69</b>
Accumulator/Receiver Driers	28	Switch-Clutch Cycle	60	Accumulator/Receiver Driers	69
<b>FORD</b>	<b>28</b>	Switch-Pressure Transducer	60	Evaporator Cores	69
Accumulator/Receiver Driers	28	<b>LAND ROVER</b>	<b>60</b>	Expansion Valve/Orifice Tubes	69
Automotive A/C Kits	29	Accumulator/Receiver Driers	60	Relay-Engine Cooling Fan Motor	69
Blower Motors	29	<b>LEXUS</b>	<b>60</b>	Sensor-Refrigerant Temp	69
Compressors	29	Accumulator/Receiver Driers	60	Switch-Clutch Cycle	69
Evaporator Cores	32	Automotive A/C Kits	60	Switch-Pressure Transducer	69

Prices shown are meant to be a guide. All prices are subject to change without notice. Call for current price and availability.

## 2 AUTOMOTIVE APPLICATION INDEX

VEHICLE	PAGE
<b>PORSCHE</b>	<b>71</b>
Accumulator/Receiver Driers	71
Evaporator Cores	71
<b>RAM</b>	<b>71</b>
Accumulator/Receiver Driers	71
Evaporator Cores	71
Switch-Pressure Transducer	71
<b>SAAB</b>	<b>71</b>
Accumulator/Receiver Driers	71
Expansion Valves/Orifice Tubes	71
Switch-Clutch Cycle	72
Switch-Pressure Transducer	72
<b>SATURN</b>	<b>72</b>
Expansion Valve	72
Switch-Pressure Transducer	72
<b>SCION</b>	<b>72</b>
Evaporator Cores	72
<b>SUBARU</b>	<b>72</b>
Accumulator/Receiver Driers	72
Evaporator Cores	72
<b>SUZUKI</b>	<b>72</b>
Accumulator/Receiver Driers	72
Expansion Valves	73
<b>TOYOTA</b>	<b>73</b>
Accumulator/Receiver Driers	73
Automotive A/C Kits	73
Evaporator Cores	74
Expansion Valves	74
Relay-Engine Cooling Fan Motor	75
<b>VOLKSWAGON</b>	<b>75</b>
Accumulator/Receiver Driers	75
Automotive A/C Kits	76
Compressors	76
Evaporator Cores	76
Expansion Valves/Orifice Tubes	77
<b>VOLVO</b>	<b>77</b>
Expansion Valves/Orifice Tubes	77

## PRODUCT PICTURE INDEX

PRODUCT SECTIONS	PAGE
ACCUMULATORS	<b>96</b>
ACCUMULATORS WITH HOSE ASSEMBLIES	<b>97</b>
AUTOMOTIVE A/C KITS	<b>79</b>
COMPRESSORS	<b>84</b>
EVAPORATORS	<b>86</b>
EXPANSION VALVES - BLOCK VALVES	<b>89</b>
EXPANSION VALVES - RIGHT ANGLE VALVES	<b>90</b>
EXPANSION VALVES - ORIFICE TUBES	<b>91</b>
HOSE ASSEMBLIES-DISCHARGE	<b>92</b>
HOSE ASSEMBLIES-LIQUID LINE	<b>93</b>
HOSE ASSEMBLIES-MANIFOLD	<b>91</b>
HOSE ASSEMBLIES-SUCTION	<b>95</b>

PRODUCT SECTIONS	PAGE
RECEIVER DRIERS	<b>98</b>
RELAYS	<b>100</b>
SENSOR	<b>101</b>
SWITCHES-CLUTCH CYCLE	<b>102</b>
SWITCHES-PRESSURE	<b>103</b>
SWITCHES-PRESSURE TRANSDUCER	<b>104</b>
SWITCHES-TRINARY	<b>105</b>
SERVICE O-RING KITS	<b>106</b>
SERVICE VALVE CORE KITS	<b>107</b>
PART/PAGE INDEX	<b>108</b>

Prices shown are meant to be a guide. All prices are subject to change without notice. Call for current price and availability.



ACURA			ACURA (Con't)		
<b>ACCUMULATOR &amp; RECEIVER DRIERS</b>			<b>EXPANSION VALVES (Cont'd)</b>		
Year	Application	Part No.	Year	Application	Part No.
<b>CL</b>			<b>EL</b>		
03-02	3.2L 6Cyl V (3210) w/ Sight Glass	37-18038	05-01	1.7L 4Cyl L (1668) OS	31-31022
<b>CSX</b>			97	1.6L 4Cyl L (97) OS	31-12112
11	2.0L 4Cyl L (122), Sedan	37-13677	<b>INTEGRA</b>		
09-06	2.0L 4Cyl L (122), Sedan	37-13677	97	1.8L 4Cyl L (1834) OS	31-12112
<b>EL</b>			96	1.8L 4Cyl L (1797) OS	31-12112
05-01	1.7L 4Cyl L (1668)	37-18038	95	1.8L 4Cyl L (1834) OS	31-12112
00-97	1.6L 4Cyl L (97) w/ Sight Glass	37-18038	<b>LEGEND</b>		
<b>LEGEND</b>			95	3.2L 6Cyl V (3206) OS	31-12112
95	3.2L 6Cyl V (3206) 7 In Tall w/ Dowell Hole To Center	37-13997	<b>NSX</b>		
<b>RDX</b>			04-02	N/A OS	31-31022
12-07	2.3L 4Cyl L (2300)	37-13677	<b>SLX</b>		
<b>RL</b>			97-96	3.2L 6Cyl V (3165) New: O 3.2L 6Cyl V (3165) OEM: O	31-10001 31-10706
04-96	3.5L 6Cyl V (3475) 7 In Tall w/ Dowell Hole To Center	37-13997	<b>TL</b>		
<b>RSX</b>			03	3.2L 6Cyl V (3210) OS	31-12112
06-02	2.0L 4Cyl L (122)	37-18038	<b>RELAY ENGINE COOLING FAN MOTOR</b>		
<b>TL</b>			<b>Year Application Part No.</b>		
08-04	3.2L 6Cyl V (3210)	37-19802	<b>MDX</b>		
08-07	3.5L 6Cyl V (3471)	37-19802	10-07	3.7L 6Cyl V (3664) Located In Power Distribution Box - Series Parallel #2 Relay - 5 Pins	MT0225
01	3.2L 6Cyl V (3210) w/ Sight Glass	37-18038	06-01	3.5L 6Cyl V (3471) Located In Power Distribution Box - 5 Pins	MT0225
<b>AUTOMOTIVE KITS</b>			<b>RDX</b>		
Year	Application	Part No.	<b>Year Application Part No.</b>		
<b>CL</b>			<b>TL</b>		
02	3.2L 6Cyl V (3210) O	96-25700	02-99	3.2L 6Cyl V (3210) NEW: O	96-25700
01	3.2L 6Cyl V (3210) NEW: O	96-25700	<b>COMPRESSORS</b>		
<b>TL</b>			<b>Year Application Part No.</b>		
02-99	3.2L 6Cyl V (3210) NEW: O	96-25700	<b>MDX</b>		
<b>COMPRESSORS</b>			06-04	3.5L 6Cyl V (3471) 10S20C; PV6; New	20-11310-AM
Year	Application	Part No.	06-03	3.5L 6Cyl V (3471) Denso; 10S20C; PV6	20-11320-AM
<b>MDX</b>			03	3.5L 6Cyl V (3471) w/ Clutch; New	20-11310-AM
06-04	3.5L 6Cyl V (3471) 10S20C; PV6; New	20-11310-AM	<b>RDX</b>		
06-03	3.5L 6Cyl V (3471) Denso; 10S20C; PV6	20-11320-AM	12-11	2.3L 4Cyl L (140)	20-04920-AM
03	3.5L 6Cyl V (3471) w/ Clutch; New	20-11310-AM		2.3L 4Cyl L (2300)	20-04920-AM
<b>RDX</b>			10-07	2.3L 4Cyl L (2300) TRSE09; 7Groove; New	20-04920-AM
12-11	2.3L 4Cyl L (140)	20-04920-AM	<b>TL</b>		
	2.3L 4Cyl L (2300)	20-04920-AM	08-05	3.2L 6Cyl V (3210) Denso; 10S20C; PV6	20-11320-AM
10-07	2.3L 4Cyl L (2300) TRSE09; 7Groove; New	20-04920-AM	08-07	3.5L 6Cyl V (3471) Denso; 10S20C; PV6	20-11320-AM
<b>TL</b>			04	3.2L 6Cyl V (3210) Denso; 10S20C; PV6; New	20-11320-AM
08-05	3.2L 6Cyl V (3210) Denso; 10S20C; PV6	20-11320-AM	<b>EVAPORATOR CORES</b>		
08-07	3.5L 6Cyl V (3471) Denso; 10S20C; PV6	20-11320-AM	<b>Year Application Part No.</b>		
04	3.2L 6Cyl V (3210) Denso; 10S20C; PV6; New	20-11320-AM	<b>CSX</b>		
<b>EVAPORATOR CORES</b>			11-09	2.0L 4Cyl L (122)	27-33467
Year	Application	Part No.	08	2.0L 4Cyl L (122)	27-33451
<b>CSX</b>			07-06	2.0L 4Cyl L (122) Coupe	27-33451
11-09	2.0L 4Cyl L (122)	27-33467	<b>EXPANSION VALVES</b>		
08	2.0L 4Cyl L (122)	27-33451	<b>Year Application Part No.</b>		
07-06	2.0L 4Cyl L (122) Coupe	27-33451	<b>CL</b>		
<b>EXPANSION VALVES</b>			03	N/A 16 mm & 20 mm; OS	31-12112
Year	Application	Part No.	<b>ACURA (Con't)</b>		
<b>CL</b>			<b>ACCUMULATOR &amp; RECEIVER DRIERS</b>		
03	N/A 16 mm & 20 mm; OS	31-12112	<b>Year Application Part No.</b>		
<b>EXPANSION VALVES (Cont'd)</b>			<b>ALLROAD QUATTRO</b>		
Year	Application	Part No.	<b>Year Application Part No.</b>		
<b>EL</b>			<b>TT</b>		
05-01	1.7L 4Cyl L (1668) OS	31-31022	06-00	1.8L 4Cyl L (1781) Pad Mount Top And Bottom	37-13615
97	1.6L 4Cyl L (97) OS	31-12112	<b>TT QUATTRO</b>		
<b>INTEGRA</b>			06-00	1.8L 4Cyl L (1781) Pad Mount Top And Bottom	37-13615
97	1.8L 4Cyl L (1834) OS	31-12112	06-04	3.2L 6Cyl V (195) Pad Mount Top And Bottom	37-13615
96	1.8L 4Cyl L (1797) OS	31-12112	<b>AUTOMOTIVE KITS</b>		
95	1.8L 4Cyl L (1834) OS	31-12112	<b>Year Application Part No.</b>		
<b>LEGEND</b>			<b>TT QUATTRO</b>		
95	3.2L 6Cyl V (3206) OS	31-12112	06-04	3.2L 6Cyl V (195) NEW: O	96-24731
<b>NSX</b>			<b>EXPANSION VALVES (Cont'd)</b>		
04-02	N/A OS	31-31022	<b>Year Application Part No.</b>		
<b>SLX</b>			<b>TT QUATTRO</b>		
97-96	3.2L 6Cyl V (3165) New: O 3.2L 6Cyl V (3165) OEM: O	31-10001 31-10706	<b>Year Application Part No.</b>		
<b>TL</b>			<b>TT QUATTRO</b>		
03	3.2L 6Cyl V (3210) OS	31-12112	<b>Year Application Part No.</b>		
<b>RELAY ENGINE COOLING FAN MOTOR</b>			<b>Year Application Part No.</b>		
Year	Application	Part No.	<b>Year Application Part No.</b>		
<b>MDX</b>			<b>Year Application Part No.</b>		
10-07	3.7L 6Cyl V (3664) Located In Power Distribution Box - Series Parallel #2 Relay - 5 Pins	MT0225	<b>Year Application Part No.</b>		
06-01	3.5L 6Cyl V (3471) Located In Power Distribution Box - 5 Pins	MT0225	<b>Year Application Part No.</b>		
<b>RDX</b>			<b>Year Application Part No.</b>		
10-07	2.3L 4Cyl L (2300) Located In Power Distribution Box - Series Parallel #2 Relay - 5 Pins	MT0225	<b>Year Application Part No.</b>		
<b>TL</b>			<b>Year Application Part No.</b>		
10-09	3.5L 6Cyl V (3471) Located In Power Distribution Box - Series Parallel #2 Relay - 5 Pins	MT0225	<b>Year Application Part No.</b>		
	3.7L 6Cyl V (3664) Located In Power Distribution Box - Series Parallel #2 Relay - 5 Pins	MT0225	<b>Year Application Part No.</b>		
08-99	3.2L 6Cyl V (3210) Located In Power Distribution Box - 5 Pins	MT0225	<b>Year Application Part No.</b>		
08-07	3.5L 6Cyl V (3471) Located In Power Distribution Box - 5 Pins	MT0225	<b>Year Application Part No.</b>		

Prices shown are meant to be a guide. All prices are subject to change without notice. Call for current price and availability.

AUDI (Con't)			AUDI (Con't)		
COMPRESSORS			EXPANSION VALVE ORIFICE TUBES (Cont'd)		
Year	Application	Part No.	Year	Application	Part No.
<b>A3</b>			<b>A6 QUATTRO (Cont'd)</b>		
07-06	2.0L 4Cyl L (121) Sanden: PXE16; OEM	20-08675	08-06	3.2L 6Cyl V (3123) Orange; Optional Auto Adj Orifice Tube 3411302	MT0094-1
<b>EVAPORATOR CORES</b>			06-05	4.2L 8Cyl V (4163) Orange	MT0094-1
Year	Application	Part No.	05	3.2L 6Cyl V (3123) Orange	MT0094-1
<b>RS6</b>			04-02	3.0L 6Cyl V (2976) Brown	MT0099-1
04-03	4.2L 8Cyl V (4172)	27-33245	02-00	2.7L 6Cyl V (2671) Brown	MT0099-1
<b>TT</b>			01-95	4.2L 8Cyl V (4172) Brown	MT0099-1
06	1.8L 4Cyl L (1781) AM	27-33245	01-95	2.8L 6Cyl V (2771) Brown	MT0099-1
05-00	1.8L 4Cyl L (1781)	27-33245	<b>A8</b>		
<b>TT QUATTRO</b>			99	3.7L 8Cyl V (3697) Brown	MT0099-1
06-00	1.8L 4Cyl L (1781)	27-33245	98-97	3.7L 8Cyl V (3697)	MT0099-1
06-04	3.2L 6Cyl V (195)	27-33245	<b>A8 QUATTRO</b>		
<b>EXPANSION VALVE ORIFICE TUBES</b>			10-07	4.2L 8Cyl V (4163) Orange	MT0094-1
Year	Application	Part No.	09-05	6.0L 12Cyl W (5998) Orange	MT0094-1
<b>90</b>			06	4.2L 8Cyl V (4172) Orange	MT0094-1
95	2.8L 6Cyl V (2771) Brown	MT0099-1	04	4.2L 8Cyl V (4172) Orange	MT0094-1
<b>90 QUATTRO</b>			03-97	4.2L 8Cyl V (4172) Brown	MT0099-1
95	2.8L 6Cyl V (2771) Brown	MT0099-1	<b>ALLROAD QUATTRO</b>		
<b>A4</b>			05-01	2.7L 6Cyl V (2671) Brown	MT0099-1
10-05	2.0L 4Cyl L (121) Orange; Optional Auto Adj Orifice Tube 3411302	MT0094-1	05-03	4.2L 8Cyl V (4172) Brown	MT0099-1
08-06	3.2L 6Cyl V (3123) Orange; Optional Auto Adj Orifice Tube 3411302	MT0094-1	<b>CABRIOLET</b>		
06-05	1.8L 4Cyl L (1781) Orange; Optional Auto Adj Orifice Tube 3411302	MT0094-1	98-95	2.8L 6Cyl V (2771) Brown	MT0099-1
05	3.0L 6Cyl V (2976) Orange; Optional Auto Adj Orifice Tube 3411302	MT0094-1	<b>RS4</b>		
02-97	1.8L 4Cyl L (1781) Brown	MT0099-1	08-07	4.2L 8Cyl V (4172) Orange	MT0094-1
02	3.0L 6Cyl V (2976) Brown	MT0099-1	<b>RS6</b>		
01-96	2.8L 6Cyl V (2771) Brown	MT0099-1	04-03	4.2L 8Cyl V (4172) Brown	MT0099-1
<b>A4 QUATTRO</b>			<b>S4</b>		
10-06	2.0L 4Cyl L (121) Orange; Optional Auto Adj Orifice Tube 3411302	MT0094-1	05-04	4.2L 8Cyl V (4163) Brown	MT0099-1
09-06	3.2L 6Cyl V (3123) Orange; Optional Auto Adj Orifice Tube 3411302	MT0094-1	02-00	2.7L 6Cyl V (2671) Brown	MT0099-1
07-05	2.0L 4Cyl L (121) Brown	MT0099-1	<b>S6</b>		
	3.2L 6Cyl V (3123) Brown	MT0099-1	03-02	4.2L 8Cyl V (4172) Brown	MT0099-1
06-02	3.0L 6Cyl V (2976) Brown	MT0099-1	97-95	2.2L 5Cyl L (2226) Brown	MT0099-1
05-97	1.8L 4Cyl L (1781) Brown	MT0099-1	<b>S8</b>		
01-96	2.8L 6Cyl V (2771) Brown	MT0099-1	08-07	5.2L 10Cyl V (5204) Brown	MT0099-1
<b>A5 QUATTRO</b>			03-01	4.2L 8Cyl V (4172) Brown	MT0099-1
10	2.0L 4Cyl L (121) Orange; Optional Auto Adj Orifice Tube 3411302	MT0094-1	<b>EXPANSION VALVES</b>		
10-09	3.2L 6Cyl V (3123) Orange; Optional Auto Adj Orifice Tube 3411302	MT0094-1	Year	Application	Part No.
08	3.2L 6Cyl V (195) Orange; Optional Auto Adj Orifice Tube 3411302	MT0094-1	<b>A3</b>		
<b>A6</b>			13-10	2.0L 4Cyl L (120) O	31-31145
10-06	3.2L 6Cyl V (3123) Orange; Optional Auto Adj Orifice Tube 3411302	MT0094-1	13-06	2.0L 4Cyl L (121) O	31-31145
02	3.0L 6Cyl V (2976) Brown	MT0099-1	<b>TT</b>		
01-95	2.8L 6Cyl V (2771) Brown	MT0099-1	14	N/A O	31-31145
<b>A6 QUATTRO</b>			13-08	2.0L 4Cyl L (121) O	31-31145
10-09	3.0L 6Cyl V (2995) Orange; Optional Auto Adj Orifice Tube 3411302	MT0094-1	07	2.0L 4Cyl L (121) OS	31-30945
10-07	4.2L 8Cyl V (4163) Orange; Optional Auto Adj Orifice Tube 3411302	MT0094-1	<b>(Cont'd)</b>		
(Cont'd)			<b>(Cont'd)</b>		

Prices shown are meant to be a guide. All prices are subject to change without notice. Call for current price and availability.

**AUDI (Con't)**

**BUICK (Con't)**

EXPANSION VALVES (Cont'd)		
Year	Application	Part No.
<b>TT (Cont'd)</b>		
06-00	1.8L 4Cyl L (1781) Before VIN V006772; OS	31-30945
05-00	1.8L 4Cyl L (1781) 8D0260805M /FROM VIN V006772; O	31-31145
<b>TT QUATTRO</b>		
14	N/A O	31-31145
13-09	2.0L 4Cyl L (121) O	31-31145
12	2.5L 5Cyl L (151) O	31-31145
09-08	3.2L 6Cyl V (195) O	31-31145
07-04	3.2L 6Cyl V (195) OS	31-30945
06-00	1.8L 4Cyl L (1781) OS	31-30945

**BMW**

AUTOMOTIVE KITS		
Year	Application	Part No.
<b>323CI</b>		
00	2.5L 6Cyl L (152) NEW: O	96-24534
<b>325CI</b>		
06-01	2.5L 6Cyl L (152) NEW: O	96-24534
<b>325I</b>		
05	2.5L 6Cyl L (152) NEW: O	96-24534
03-02	2.5L 6Cyl L (152) NEW: O	96-24534
<b>325XI</b>		
05-01	2.5L 6Cyl L (152) NEW: O	96-24534
<b>328I</b>		
00	2.8L 6Cyl L (2793) NEW: O	96-24534
<b>330CI</b>		
06-01	3.0L 6Cyl L (2979) NEW: O	96-24534
<b>330I</b>		
05-01	3.0L 6Cyl L (2979) NEW: O	96-24534
<b>330XI</b>		
05-01	3.0L 6Cyl L (2979) NEW: O	96-24534
<b>M3</b>		
06-03	3.2L 6Cyl L (3246) NEW: O	96-24534

**BUICK**

AUTOMOTIVE KITS		
Year	Application	Part No.
<b>RENDEZVOUS</b>		
05-02	3.4L 6Cyl V (207) NEW: O	96-25303
<b>EXPANSION VALVE ORIFICE TUBES</b>		
Year	Application	Part No.
<b>CENTURY</b>		
05-97	3.1L 6Cyl V (189) Gray/ White	MT0924-1
96-95	2.2L 4Cyl L (134) EVAPORATOR MOUNTING	MT0097-1
	3.1L 6Cyl V (189) EVAPORATOR MOUNTING	MT0097-1
<b>COMMERCIAL CHASSIS</b>		
96-95	5.7L 8Cyl V (350) EVAPORATOR MOUNTING	MT0097-1

EXPANSION VALVE ORIFICE TUBES (Cont'd)		
Year	Application	Part No.
<b>LESABRE</b>		
05-00	3.8L 6Cyl V (231) Brown	MT0099-1
99-95	3.8L 6Cyl V (231) EVAPORATOR MOUNTING	MT0097-1
<b>PARK AVENUE</b>		
05-97	3.8L 6Cyl V (231) Black; Optional Auto Adj Orifice Tube 3411303	MT0098-1
96-95	3.8L 6Cyl V (231) EVAPORATOR MOUNTING	MT0097-1
<b>RAINIER</b>		
07-04	4.2L 6Cyl L (256) EVAPORATOR MOUNTING	MT0097-1
07-06	5.3L 8Cyl V (325) EVAPORATOR MOUNTING	MT0097-1
05-04	5.3L 8Cyl V (323) EVAPORATOR MOUNTING	MT0097-1
04	4.2L 6Cyl L (256) Black; Optional Auto Adj Orifice Tube 3411303	MT0098-1
	5.3L 8Cyl V (323) Black; Optional Auto Adj Orifice Tube 3411303	MT0098-1
<b>REGAL</b>		
04-97	3.8L 6Cyl V (231) Gray/ White	MT0924-1
96-95	3.1L 6Cyl V (189) EVAPORATOR MOUNTING	MT0097-1
	3.8L 6Cyl V (231) EVAPORATOR MOUNTING	MT0097-1
<b>RIVIERA</b>		
99-95	3.8L 6Cyl V (231) EVAPORATOR MOUNTING	MT0097-1
<b>ROADMASTER</b>		
96-95	5.7L 8Cyl V (350) Black; Optional Auto Adj Orifice Tube 3411303	MT0098-1
	5.7L 8Cyl V (350) EVAPORATOR MOUNTING	MT0097-1
	5.7L 8Cyl V (350) Variable Orifice Tube - Condenser Mounted - Improved A/C System Performance in Hot Climates and City Driving	MT0628
<b>EXPANSION VALVES</b>		
Year	Application	Part No.
<b>ALLURE</b>		
09-05	3.8L 6Cyl V (231) OS	31-31098
09-08	5.3L 8Cyl V (325) OS	31-31098
08-05	3.6L 6Cyl V (217) OS	31-31098
<b>LACROSSE</b>		
09-05	3.8L 6Cyl V (231) OS	31-31098
09-08	5.3L 8Cyl V (325) OS	31-31098
08-05	3.6L 6Cyl V (217) OS	31-31098
<b>SWITCH CLUTCH CYCLE</b>		
Year	Application	Part No.
<b>RAINIER</b>		
07-04	4.2L 6Cyl L (256) Clutch Cycling Switch; Accumulator Mounted	MT0968
07-06	5.3L 8Cyl V (325) Clutch Cycling Switch; Accumulator Mounted	MT0968
05-04	5.3L 8Cyl V (323) Clutch Cycling Switch; Accumulator Mounted	MT0968
<b>REGAL</b>		
95	3.8L 6Cyl V (231)	MT0205
<b>ROADMASTER</b>		
96-95	5.7L 8Cyl V (350)	MT0206

Prices shown are meant to be a guide. All prices are subject to change without notice. Call for current price and availability.

BUICK (Con't)			BUICK (Con't)		
SWITCH PRESSURE TRANSDUCER			SWITCH PRESSURE TRANSDUCER (Cont'd)		
Year	Application	Part No.	Year	Application	Part No.
<b>ALLURE</b>			<b>RENDEZVOUS</b>		
10	3.0L 6Cyl V (182) 3 Terminals	MT1247	07-06	3.5L 6Cyl V (213) 3 Terminals	MT1247
	3.6L 6Cyl V (217) 3 Terminals	MT1247	06-04	3.6L 6Cyl V (217) 3 Terminals	MT1247
09-05	3.8L 6Cyl V (231) 3 Terminals	MT1247	05-03	3.4L 6Cyl V (207) 3 Terminals	MT1247
09-08	5.3L 8Cyl V (325) 3 Terminals	MT1247	02	3.4L 6Cyl V (207) 3 Terminals	MT1339
08-05	3.6L 6Cyl V (217) 3 Terminals	MT1247	<b>RIVIERA</b>		
<b>CENTURY</b>			99-96	3.8L 6Cyl V (231) 3 Terminals	MT1339
05-03	3.1L 6Cyl V (189) 3 Terminals	MT1247	<b>ROADMASTER</b>		
02-95	3.1L 6Cyl V (189) 3 Terminals	MT1339	96-95	5.7L 8Cyl V (350) 3 Terminals	MT1339
96-95	2.2L 4Cyl L (134) 3 Terminals	MT1339	<b>SKYLARK</b>		
<b>COMMERCIAL CHASSIS</b>			98-96	2.4L 4Cyl L (146) 3 Terminals	MT1339
96-95	5.7L 8Cyl V (350) 3 Terminals	MT1339	98-95	3.1L 6Cyl V (189) 3 Terminals	MT1339
<b>ENCLAVE</b>			95	2.3L 4Cyl L (138) 3 Terminals	MT1339
13-08	3.6L 6Cyl V (217) 3 Terminals	MT1247	<b>TERRAZA</b>		
<b>LACROSSE</b>			07-06	3.9L 6Cyl V (237) 3 Terminals	MT1247
13-10	2.4L 4Cyl L (145) 3 Terminals	MT1247	06-05	3.5L 6Cyl V (213) 3 Terminals	MT1247
	3.6L 6Cyl V (217) 3 Terminals	MT1247	<b>VERANO</b>		
10	3.0L 6Cyl V (182) 3 Terminals	MT1247	13	2.0L 4Cyl L (122) 3 Terminals	MT1247
09-05	3.8L 6Cyl V (231) 3 Terminals	MT1247	13-12	2.4L 4Cyl L (145) 3 Terminals	MT1247
09-08	5.3L 8Cyl V (325) 3 Terminals	MT1247	<b>CADILLAC</b>		
08-05	3.6L 6Cyl V (217) 3 Terminals	MT1247	<b>ACCUMULATOR &amp; RECEIVER DRIERS</b>		
<b>LESABRE</b>			<b>Year</b>	<b>Application</b>	<b>Part No.</b>
05-03	3.8L 6Cyl V (231) 3 Terminals	MT1247	<b>ESCALADE</b>		
02-96	3.8L 6Cyl V (231) 3 Terminals	MT1339	06-02	6.0L 8Cyl V (364) w/o Rear A/C	37-23502
<b>LUCERNE</b>				6.0L 8Cyl V (364) w/ Rear AC	37-23531
11-09	3.9L 6Cyl V (237) 3 Terminals	MT1247	05-02	5.3L 8Cyl V (325) w/o Rear A/C	37-23502
11-06	4.6L 8Cyl V (281) 3 Terminals	MT1247		5.3L 8Cyl V (325) w/ Rear AC	37-23531
08-06	3.8L 6Cyl V (231) 3 Terminals	MT1247	00-99	5.7L 8Cyl V (350)	37-23391
<b>PARK AVENUE</b>			<b>AUTOMOTIVE KITS</b>		
05-03	3.8L 6Cyl V (231) 3 Terminals	MT1247	<b>Year</b>	<b>Application</b>	<b>Part No.</b>
02-96	3.8L 6Cyl V (231) 3 Terminals	MT1339	<b>DEVILLE</b>		
<b>RAINIER</b>			99-96	4.6L 8Cyl V (281) NEW: O	96-24993
07-06	4.2L 6Cyl L (256) 3 Terminals	MT1247	<b>ELDORADO</b>		
	5.3L 8Cyl V (325) 3 Terminals	MT1247	01-98	4.6L 8Cyl V (281) NEW: O	96-24993
05-04	4.2L 6Cyl L (256) 3 Terminals	MT1339	<b>ESCALADE</b>		
	5.3L 8Cyl V (323) 3 Terminals	MT1339	06-02	6.0L 8Cyl V (364) NEW: O	96-23923
<b>REGAL</b>			<b>COMPRESSORS</b>		
13-11	2.0L 4Cyl L (122) 3 Terminals	MT1247	<b>Year</b>	<b>Application</b>	<b>Part No.</b>
	2.4L 4Cyl L (145) 3 Terminals	MT1247	<b>ESCALADE</b>		
04-03	3.8L 6Cyl V (231) 3 Terminals	MT1247	14-13	6.2L 8Cyl V (376)	20-21711-AM
02-96	3.8L 6Cyl V (231) 3 Terminals	MT1339	13	6.0L 8Cyl V (364)	20-21711-AM
96-95	3.1L 6Cyl V (189) 3 Terminals	MT1339	11-09	6.0L 8Cyl V (364) Denso; 10S20F; PV4	20-21711-AM
			11	6.2L 8Cyl V (376)	20-21711-AM
			11-09	6.2L 8Cyl V (376) Denso; 10S20F; PV4	20-21711-AM
			10-07	6.2L 8Cyl V (378) Denso; 10S20F; PV4	20-21711-AM
			06-02	6.0L 8Cyl V (364) Denso; 10S20F; PV4	20-21711-AM
			(Cont'd)		

Prices shown are meant to be a guide. All prices are subject to change without notice. Call for current price and availability.

**CADILLAC (Con't)**

**CADILLAC (Con't)**

COMPRESSORS (Cont'd)		
Year	Application	Part No.
<b>ESCALADE (Cont'd)</b>		
05-02	5.3L 8Cyl V (325) Denso; 10S20F; PV4	20-21711-AM
<b>ESCALADE ESV</b>		
14-09	6.2L 8Cyl V (376)	20-21711-AM
10-07	6.2L 8Cyl V (378)	20-21711-AM
06-03	6.0L 8Cyl V (364)	20-21711-AM
<b>ESCALADE EXT</b>		
02	6.0L 8Cyl V (364)	20-21711-AM
<b>EVAPORATOR CORES</b>		
Year	Application	Part No.
<b>ESCALADE</b>		
14-09	6.2L 8Cyl V (376)	27-33819
14-12	Front Front Plate/Fin; except EXT	27-33819
13-12	6.0L 8Cyl V (364)	27-33819
11-09	6.0L 8Cyl V (364), Front Front Plate/Fin; except EXT	27-33819
	6.2L 8Cyl V (376), Front Front Plate/Fin; except EXT	27-33819
10-09	6.2L 8Cyl V (378)	27-33819
08-07	6.2L 8Cyl V (378), Front Front Plate/Fin; except EXT	27-33819
06-03	6.0L 8Cyl V (364) FRONT PLATE/FIN; w/air flow through center console RPO (D07)	27-33819
05-03	5.3L 8Cyl V (325) FRONT PLATE/FIN; w/air flow through center console RPO (D07)	27-33819
02	5.3L 8Cyl V (325) Front A/C	27-33819
	6.0L 8Cyl V (364) Front A/C	27-33819
00-99	5.7L 8Cyl V (350) Front A/C	27-30444
<b>ESCALADE ESV</b>		
14-11	6.2L 8Cyl V (376)	27-33819
<b>ESCALADE EXT</b>		
13-11	6.2L 8Cyl V (376)	27-33819
<b>EXPANSION VALVE ORIFICE TUBES</b>		
Year	Application	Part No.
<b>COMMERCIAL CHASSIS</b>		
96-95	5.7L 8Cyl V (350) Black; Optional Auto Adj Orifice Tube 3411303	MT0098-1
	5.7L 8Cyl V (350) Variable Orifice Tube - Condenser Mounted - Improved A/C System Performance in Hot Climates and City Driving	MT0628
<b>DEVILLE</b>		
05-95	4.6L 8Cyl V (281) EVAPORATOR MOUNTING	MT0097-1
96-95	4.6L 8Cyl V (281) Variable Orifice Tube - Condenser Mounted - Improved A/C System Performance in Hot Climates and City Driving	MT0628
95	4.9L 8Cyl V (300) EVAPORATOR MOUNTING	MT0097-1
	4.9L 8Cyl V (300) Variable Orifice Tube - Condenser Mounted - Improved A/C System Performance in Hot Climates and City Driving	MT0628
<b>ELDORADO</b>		
01-98	4.6L 8Cyl V (281) EVAPORATOR MOUNTING	MT0097-1
96-95	4.6L 8Cyl V (281) Variable Orifice Tube - Condenser Mounted - Improved A/C System Performance in Hot Climates and City Driving	MT0628
<b>ESCALADE</b>		
06-02	6.0L 8Cyl V (364), Front Front; Black; Optional Auto Adj Orifice Tube 3411303	MT0098-1
05-02	5.3L 8Cyl V (325) 1ST DESIGN; 13mm; Black/White	MT0098-1
	5.3L 8Cyl V (325) Variable Orifice Tube - Condenser Mounted - Improved A/C System Performance in Hot Climates and City Driving	MT0628
	5.3L 8Cyl V (325), Front Front; Black; Optional Auto Adj Orifice Tube 3411303	MT0098-1

(Cont'd)

EXPANSION VALVE ORIFICE TUBES (Cont'd)		
Year	Application	Part No.
<b>ESCALADE (Cont'd)</b>		
05-02	6.0L 8Cyl V (364) 1ST DESIGN; 13mm; Black/White	MT0098-1
	6.0L 8Cyl V (364) Variable Orifice Tube - Condenser Mounted - Improved A/C System Performance in Hot Climates and City Driving	MT0628
00-99	5.7L 8Cyl V (350) Variable Orifice Tube - Condenser Mounted - Improved A/C System Performance in Hot Climates and City Driving	MT0628
<b>FLEETWOOD</b>		
96-95	5.7L 8Cyl V (350) Black; Optional Auto Adj Orifice Tube 3411303	MT0098-1
	5.7L 8Cyl V (350) Variable Orifice Tube - Condenser Mounted - Improved A/C System Performance in Hot Climates and City Driving	MT0628
<b>SEVILLE</b>		
04-98	4.6L 8Cyl V (281) EVAPORATOR MOUNTING	MT0097-1
<b>EXPANSION VALVES</b>		
Year	Application	Part No.
<b>ESCALADE</b>		
13-12	6.2L 8Cyl V (376), Rear Rear A/C; Long Wheel Base: OS	31-31098
10-09	6.2L 8Cyl V (378), Rear Rear A/C; OS	31-31098
<b>SENSOR REFRIGERANT TEMPERATURE</b>		
Year	Application	Part No.
<b>DEVILLE</b>		
05-96	4.6L 8Cyl V (281)	MT1323
95	4.9L 8Cyl V (300)	MT1323
<b>ELDORADO</b>		
02-95	4.6L 8Cyl V (281)	MT1323
<b>SEVILLE</b>		
04-95	4.6L 8Cyl V (281)	MT1323
<b>SWITCH CLUTCH CYCLE</b>		
Year	Application	Part No.
<b>COMMERCIAL CHASSIS</b>		
96-95	5.7L 8Cyl V (350)	MT0206
<b>ESCALADE</b>		
07	6.2L 8Cyl V (378) Clutch Cycling Switch; Accumulator Mounted	MT0968
06-04	6.0L 8Cyl V (364) Clutch Cycling Switch; Accumulator Mounted	MT0968
05-02	5.3L 8Cyl V (325) Clutch Cycling Switch; Accumulator Mounted	MT0968
02	6.0L 8Cyl V (364) Clutch Cycling Switch; Accumulator Mounted	MT0968
<b>FLEETWOOD</b>		
96-95	5.7L 8Cyl V (350)	MT0206
<b>SWITCH PRESSURE</b>		
Year	Application	Part No.
<b>DEVILLE</b>		
00-95	4.6L 8Cyl V (281)	MT0799
95	4.9L 8Cyl V (300)	MT0799
<b>ELDORADO</b>		
02-95	4.6L 8Cyl V (281)	MT0799
<b>SEVILLE</b>		
99-95	4.6L 8Cyl V (281)	MT0799
<b>SWITCH PRESSURE TRANSDUCER</b>		
Year	Application	Part No.
<b>BLS</b>		
08-07	2.0L 4Cyl L (122) 3 Terminals	MT1339
<b>COMMERCIAL CHASSIS</b>		
96-95	5.7L 8Cyl V (350) 3 Terminals	MT1339

Prices shown are meant to be a guide. All prices are subject to change without notice. Call for current price and availability.

CADILLAC (Con't)			CHEVROLET (Con't)		
SWITCH PRESSURE TRANSDUCER (Cont'd)			ACCUMULATOR & RECEIVER DRIERS (Cont'd)		
Year	Application	Part No.	Year	Application	Part No.
<b>CTS</b>			<b>C1500 (Cont'd)</b>		
13-10	3.0L 6Cyl V (182) 3 Terminals	MT1247	98-96	4.3L 6Cyl V (262) 6.5L 8Cyl V (395)	37-23391 37-23391
13-09	3.6L 6Cyl V (217) 3 Terminals 6.2L 8Cyl V (376) 3 Terminals	MT1247 MT1247	<b>C1500 SUBURBAN</b>		
12-11	3.0L 6Cyl V (183) 3 Terminals	MT1247	99-96	5.7L 8Cyl V (350) 6.5L 8Cyl V (395)	37-23391 37-23391
12	6.2L 8Cyl V (378) 3 Terminals	MT1247	<b>C2500</b>		
<b>DEVILLE</b>			00-96	5.7L 8Cyl V (350) 6.5L 8Cyl V (395) 7.4L 8Cyl V (454)	37-23391 37-23391 37-23391
05-03	4.6L 8Cyl V (281) 3 Terminals	MT1247	98-96	5.0L 8Cyl V (305)	37-23391
02-00	4.6L 8Cyl V (281) 3 Terminals	MT1339	<b>C2500 SUBURBAN</b>		
<b>DTS</b>			99-96	5.7L 8Cyl V (350) 6.5L 8Cyl V (395) 7.4L 8Cyl V (454)	37-23391 37-23391 37-23391
11-06	4.6L 8Cyl V (281) 3 Terminals	MT1247	<b>C3500</b>		
<b>ESCALADE</b>			00-96	5.7L 8Cyl V (350) 6.5L 8Cyl V (395) 7.4L 8Cyl V (454)	37-23391 37-23391 37-23391
13-09	6.0L 8Cyl V (364) 3 Terminals 6.2L 8Cyl V (376) 3 Terminals	MT1247 MT1247	<b>K1500</b>		
10-07	6.2L 8Cyl V (378) 3 Terminals	MT1247	99-96	5.0L 8Cyl V (305) 5.7L 8Cyl V (350)	37-23391 37-23391
06-03	6.0L 8Cyl V (364) 3 Terminals	MT1247	98-96	4.3L 6Cyl V (262) 6.5L 8Cyl V (395)	37-23391 37-23391
05-03	5.3L 8Cyl V (325) 3 Terminals	MT1247	<b>K1500 SUBURBAN</b>		
<b>FLEETWOOD</b>			99-96	5.7L 8Cyl V (350) 6.5L 8Cyl V (395)	37-23391 37-23391
96-95	5.7L 8Cyl V (350) 3 Terminals	MT1339	<b>K2500</b>		
<b>SEVILLE</b>			00-96	5.7L 8Cyl V (350) 6.5L 8Cyl V (395) 7.4L 8Cyl V (454)	37-23391 37-23391 37-23391
04-03	4.6L 8Cyl V (281) 3 Terminals	MT1247	98-97	5.0L 8Cyl V (305)	37-23391
02-98	4.6L 8Cyl V (281) 3 Terminals	MT1339	<b>K2500 SUBURBAN</b>		
<b>SRX</b>			99-96	5.7L 8Cyl V (350) 6.5L 8Cyl V (395) 7.4L 8Cyl V (454)	37-23391 37-23391 37-23391
13-12	3.6L 6Cyl V (217) 3 Terminals	MT1247	<b>K3500</b>		
11-10	2.8L 6Cyl V (170) 3 Terminals 3.0L 6Cyl V (182) 3 Terminals	MT1247 MT1247	00-96	5.7L 8Cyl V (350) 6.5L 8Cyl V (395) 7.4L 8Cyl V (454)	37-23391 37-23391 37-23391
11	3.0L 6Cyl V (183) 3 Terminals	MT1247	<b>METRO</b>		
<b>XLR</b>			01-98	1.3L 4Cyl L (79)	37-13997
09-06	4.4L 8Cyl V (267) 3 Terminals	MT1247	00-98	1.0L 3Cyl L (61)	37-13997
09-04	4.6L 8Cyl V (281) 3 Terminals	MT1247	<b>SILVERADO 1500 HD</b>		
<b>CHEVROLET</b>			07	6.0L 8Cyl V (364) 1st Design	37-23502
<b>ACCUMULATOR &amp; RECEIVER DRIERS</b>			<b>SILVERADO 2500</b>		
Year	Application	Part No.	Year	Application	Part No.
<b>AVALANCHE 1500</b>			06	5.3L 8Cyl V (325)	37-23502
06	5.3L 8Cyl V (325) 1st Design	37-23502	04-99	5.3L 8Cyl V (323) 6.0L 8Cyl V (364)	37-23502 37-23502
05-02	5.3L 8Cyl V (323) w/o Rear A/C	37-23502	<b>SUBURBAN 1500</b>		
04-02	5.3L 8Cyl V (323) w/ Rear AC	37-23531	99-96	5.7L 8Cyl V (350)	37-23391
<b>AVALANCHE 2500</b>			<b>TAHOE</b>		
06	8.1L 8Cyl V (496) 1st Design	37-23502	08	6.0L 8Cyl V (364) w/o Rear A/C 6.0L 8Cyl V (364) w/ Rear AC; 2nd Design	37-23502 37-23531
05-02	8.1L 8Cyl V (496) w/o Rear A/C	37-23502	00	4.8L 8Cyl V (294) Single Outlet 5.3L 8Cyl V (323) Single Outlet	37-23531 37-23531
02	8.1L 8Cyl V (496) w/ Rear AC	37-23531	96	5.7L 8Cyl V (350) 6.5L 8Cyl V (395)	37-23391 37-23391
<b>C1500</b>					
99-96	5.0L 8Cyl V (305) 5.7L 8Cyl V (350)	37-23391 37-23391			
(Cont'd)					

Prices shown are meant to be a guide. All prices are subject to change without notice. Call for current price and availability.

CHEVROLET (Con't)			CHEVROLET (Con't)		
AUTOMOTIVE KITS			COMPRESSORS (Cont'd)		
Year	Application	Part No.	Year	Application	Part No.
<b>AVALANCHE 1500</b>			<b>CHEYENNE</b>		
06	5.3L 8Cyl V (325) NEW: O	96-25593	14-10	5.3L 8Cyl V (325)	20-21711-AM
05-03	5.3L 8Cyl V (323) NEW: O	96-25593	14	6.2L 8Cyl V (378)	20-21711-AM
<b>AVALANCHE 2500</b>			<b>CHEYENNE 2500</b>		
06-02	8.1L 8Cyl V (496) NEW: O	96-25593	09-07	5.3L 8Cyl V (325)	20-21711-AM
<b>S10</b>			<b>COLORADO</b>		
03-98	2.2L 4Cyl L (134) NEW: O	96-24062	09	5.3L 8Cyl V (325) Denso: 10S20F; PV4	20-21711-AM
<b>SILVERADO 1500</b>			<b>EXPRESS 1500</b>		
06	4.8L 8Cyl V (294) NEW: O	96-23923	12	5.3L 8Cyl V (325) Denso: 10S20F; PV4	20-21711-AM
	5.3L 8Cyl V (325) NEW: O	96-23923	07-06	5.3L 8Cyl V (325) Denso: 10S20F; PV4; New	20-21711-AM
<b>SILVERADO 2500</b>			05-04	5.3L 8Cyl V (323) Denso: 10S20F; PV4; New	20-21711-AM
04-03	6.0L 8Cyl V (364) NEW: O	96-23923	03	5.3L 8Cyl V (323) Denso: 10S20F; PV4	20-21711-AM
<b>SILVERADO 2500 HD</b>			02-00	4.3L 6Cyl V (262) HT6; PV6; 2:00 Coil; 4.33in Dia; New	20-10694-AM
07	8.1L 8Cyl V (496) NEW: O	96-25383		5.0L 8Cyl V (305) HT6; PV6; 2:00 Coil; 4.33in Dia; New	20-10694-AM
06-02	8.1L 8Cyl V (496) NEW: O	96-23923	02-01	5.7L 8Cyl V (350) HT6; PV6; 2:00 Coil; 4.33in Dia; New	20-10694-AM
<b>SILVERADO 3500</b>			00-97	5.7L 8Cyl V (350) HT6; PV6; 2:00 Coil; 4.33in Dia; New	20-10694-AM
07	8.1L 8Cyl V (496) NEW: O	96-25383	99-97	4.3L 6Cyl V (262) HT6; PV6; 2:00 Coil; 4.33in Dia; New	20-10694-AM
06-01	8.1L 8Cyl V (496) NEW: O	96-23923		5.0L 8Cyl V (305) HT6; PV6; 2:00 Coil; 4.33in Dia; New	20-10694-AM
05-04	6.0L 8Cyl V (364) NEW: O	96-23923	96	4.3L 6Cyl V (262) HT6; PV6; 2:00 Coil; 4.33in Dia; New	20-10694-AM
<b>TAHOE</b>				5.0L 8Cyl V (305) HT6; PV6; 2:00 Coil; 4.33in Dia; New	20-10694-AM
09	6.0L 8Cyl V (364) NEW: O	96-25382		5.7L 8Cyl V (350) HT6; PV6; 2:00 Coil; 4.33in Dia	20-10694-AM
07	4.8L 8Cyl V (294) NEW: O	96-25382	<b>EXPRESS 2500</b>		
	5.3L 8Cyl V (325) NEW: O	96-25382	14-13	4.8L 8Cyl V (294)	20-21711-AM
06	4.8L 8Cyl V (294) NEW: O	96-23923		6.0L 8Cyl V (364)	20-21711-AM
	5.3L 8Cyl V (325) NEW: O	96-23923	12	4.8L 8Cyl V (294) Denso: 10S20F; PV4	20-21711-AM
05-01	5.3L 8Cyl V (323) NEW: O	96-23923		6.0L 8Cyl V (364) Denso: 10S20F; PV4	20-21711-AM
99	5.7L 8Cyl V (350) NEW: O	96-26099	11-05	4.8L 8Cyl V (294) Denso: 10S20F; PV4; New	20-21711-AM
<b>VENTURE</b>				6.0L 8Cyl V (364) Denso: 10S20F; PV4; New	20-21711-AM
05-01	3.4L 6Cyl V (207) NEW: O	96-25303	05	5.3L 8Cyl V (323) Denso: 10S20F; PV4; New	20-21711-AM
<b>COMPRESSORS</b>			03	4.8L 8Cyl V (294) Denso: 10S20F; PV4	20-21711-AM
Year	Application	Part No.		5.3L 8Cyl V (323) Denso: 10S20F; PV4	20-21711-AM
<b>AVALANCHE</b>				6.0L 8Cyl V (364) Denso: 10S20F; PV4	20-21711-AM
13-12	5.3L 8Cyl V (325)	20-21711-AM	02-00	4.3L 6Cyl V (262) HT6; PV6; 2:00 Coil; 4.33in Dia; New	20-10694-AM
11-07	5.3L 8Cyl V (325) Denso: 10S20F; PV4; New	20-21711-AM		5.0L 8Cyl V (305) HT6; PV6; 2:00 Coil; 4.33in Dia; New	20-10694-AM
09-08	6.0L 8Cyl V (364) Denso: 10S20F; PV4; New	20-21711-AM	02-01	5.7L 8Cyl V (350) HT6; PV6; 2:00 Coil; 4.33in Dia; New	20-10694-AM
<b>AVALANCHE 1500</b>				6.5L 8Cyl V (395) HT6; PV6; 2:00 Coil; 4.33in Dia; New	20-10694-AM
06	5.3L 8Cyl V (325) Denso: 10S20F; PV4; New	20-21711-AM	00-97	5.7L 8Cyl V (350) HT6; PV6; 2:00 Coil; 4.33in Dia; New	20-10694-AM
05-03	5.3L 8Cyl V (323) Denso: 10S20F; PV4; New	20-21711-AM		6.5L 8Cyl V (395) HT6; PV6; 2:00 Coil; 4.33in Dia; New	20-10694-AM
02	5.3L 8Cyl V (323) Denso: 10S20F; PV4	20-21711-AM	99-97	4.3L 6Cyl V (262) HT6; PV6; 2:00 Coil; 4.33in Dia; New	20-10694-AM
<b>AVALANCHE 2500</b>				5.0L 8Cyl V (305) HT6; PV6; 2:00 Coil; 4.33in Dia; New	20-10694-AM
06-02	8.1L 8Cyl V (496) Denso: 10S20F; PV4; New	20-21711-AM	96	4.3L 6Cyl V (262) HT6; PV6; 2:00 Coil; 4.33in Dia; New	20-10694-AM
<b>BLAZER</b>				5.0L 8Cyl V (305) HT6; PV6; 2:00 Coil; 4.33in Dia; New	20-10694-AM
05-99	4.3L 6Cyl V (262) HT6; PV6; 2:00 Coil; 4.33in Dia; New	20-10694-AM		5.7L 8Cyl V (350) HT6; PV6; 2:00 Coil; 4.33in Dia; New	20-10694-AM
98	4.3L 6Cyl V (262) HT6; PV6; New	20-10694-AM			

(Cont'd)

Prices shown are meant to be a guide. All prices are subject to change without notice. Call for current price and availability.

**CHEVROLET (Con't)**

**CHEVROLET (Con't)**

COMPRESSORS (Cont'd)		
Year	Application	Part No.
<b>EXPRESS 2500 (Cont'd)</b>		
96	6.5L 8Cyl V (395) HT6; PV6; 2.00 Coil; 4.33in Dia; New	20-10694-AM
<b>EXPRESS 3500</b>		
14-13	4.8L 8Cyl V (294)	20-21711-AM
	6.0L 8Cyl V (364)	20-21711-AM
12	4.8L 8Cyl V (294) Denso; 10S20F; PV4	20-21711-AM
	6.0L 8Cyl V (364) Denso; 10S20F; PV4	20-21711-AM
11-07	4.8L 8Cyl V (294) Denso; 10S20F; PV4; New	20-21711-AM
11-06	6.0L 8Cyl V (364) Denso; 10S20F; PV4; New	20-21711-AM
08-07	5.3L 8Cyl V (325) Denso; 10S20F; PV4; New	20-21711-AM
06-05	4.8L 8Cyl V (294) Denso; 10S20F; PV4	20-21711-AM
06	5.3L 8Cyl V (325) Denso; 10S20F; PV4	20-21711-AM
05-03	5.3L 8Cyl V (323) Denso; 10S20F; PV4	20-21711-AM
	6.0L 8Cyl V (364) Denso; 10S20F; PV4	20-21711-AM
02-01	5.7L 8Cyl V (350) HT6; PV6; 2.00 Coil; 4.33in Dia; New	20-10694-AM
	6.5L 8Cyl V (395) HT6; PV6; 2.00 Coil; 4.33in Dia; New	20-10694-AM
	8.1L 8Cyl V (496) HT6; PV6; 2.00 Coil; 4.33in Dia; New	20-10694-AM
00-97	5.7L 8Cyl V (350) HT6; PV6; 2.00 Coil; 4.33in Dia; New	20-10694-AM
	6.5L 8Cyl V (395) HT6; PV6; 2.00 Coil; 4.33in Dia; New	20-10694-AM
	7.4L 8Cyl V (454) HT6; PV6; 2.00 Coil; 4.33in Dia; New	20-10694-AM
96	5.7L 8Cyl V (350) HT6; PV6; 2.00 Coil; 4.33in Dia; New	20-10694-AM
	6.5L 8Cyl V (395) HT6; PV6; 2.00 Coil; 4.33in Dia; New	20-10694-AM
	7.4L 8Cyl V (454) HT6; PV6; 2.00 Coil; 4.33in Dia; New	20-10694-AM
<b>EXPRESS 4500</b>		
14-09	6.0L 8Cyl V (364)	20-21711-AM
<b>EXPRESS CARGO</b>		
14-10	6.0L 8Cyl V (364)	20-21711-AM
<b>EXPRESS PASAJEROS</b>		
14-10	5.3L 8Cyl V (325)	20-21711-AM
	6.0L 8Cyl V (364)	20-21711-AM
<b>G30</b>		
02-01	4.3L 6Cyl V (262)	20-10694-AM
96	4.3L 6Cyl V (262) HT6; PV6; 2.00 Coil; 4.33in Dia	20-10694-AM
	5.7L 8Cyl V (350) HT6; PV6; 2.00 Coil; 4.33in Dia	20-10694-AM
	6.5L 8Cyl V (395) HT6; PV6; 2.00 Coil; 4.33in Dia	20-10694-AM
	7.4L 8Cyl V (454) HT6; PV6; 2.00 Coil; 4.33in Dia	20-10694-AM
<b>L30</b>		
00-99	5.7L 8Cyl V (350)	20-10694-AM
<b>S10</b>		
04-98	4.3L 6Cyl V (262) HT6; PV6; 2.00 Coil; 4.33in Dia	20-10694-AM
<b>SILVERADO 1500</b>		
15	4.3L 6Cyl V (262)	20-21711-AM
15-12	5.3L 8Cyl V (325)	20-21711-AM
14-12	6.2L 8Cyl V (376)	20-21711-AM
13-12	4.8L 8Cyl V (294)	20-21711-AM
	6.0L 8Cyl V (364)	20-21711-AM
11	4.8L 8Cyl V (294) Denso; 10S20F; PV4; New	20-21711-AM
	5.3L 8Cyl V (325) Denso; 10S20F; PV4; New	20-21711-AM
(Cont'd)		

COMPRESSORS (Cont'd)		
Year	Application	Part No.
<b>SILVERADO 1500 (Cont'd)</b>		
11-10	6.0L 8Cyl V (364) Denso; 10S20F; PV4	20-21711-AM
11	6.2L 8Cyl V (376) Denso; 10S20F; PV4; New	20-21711-AM
10	6.2L 8Cyl V (376) Denso; 10S20F; PV4	20-21711-AM
08-05	4.8L 8Cyl V (294) Denso; 10S20F; PV4	20-21711-AM
08	5.3L 8Cyl V (325) Denso; 10S20F; PV4	20-21711-AM
	6.0L 8Cyl V (364) Denso; 10S20F; PV4	20-21711-AM
06	5.3L 8Cyl V (325) Denso; 10S20F; PV4	20-21711-AM
06-05	6.0L 8Cyl V (364) Denso; 10S20F; PV4	20-21711-AM
05	5.3L 8Cyl V (323) Denso; 10S20F; PV4	20-21711-AM
03	4.8L 8Cyl V (294) Denso; 10S20F; PV4	20-21711-AM
	5.3L 8Cyl V (323) Denso; 10S20F; PV4	20-21711-AM
	6.0L 8Cyl V (364) Denso; 10S20F; PV4	20-21711-AM
02-01	4.3L 6Cyl V (262) HT6; PV6; 2.00 Coil; 4.33in Dia; New	20-10694-AM
99	4.3L 6Cyl V (262) HT6; PV6; 2.00 Coil; 4.33in Dia; New	20-10694-AM
<b>SILVERADO 1500 HD</b>		
07	6.0L 8Cyl V (364) Denso; 10S20F; PV4	20-21711-AM
02	6.0L 8Cyl V (364) Denso; 10S20F; PV4	20-21711-AM
<b>SILVERADO 2500</b>		
14-11	5.3L 8Cyl V (323)	20-21711-AM
14	5.3L 8Cyl V (325)	20-21711-AM
13	4.8L 8Cyl V (293)	20-21711-AM
12-11	4.8L 8Cyl V (293) Denso; 10S20F; PV4	20-21711-AM
09-06	5.3L 8Cyl V (325) Denso; 10S20F; PV4	20-21711-AM
	5.3L 8Cyl V (323)	20-21711-AM
05	6.0L 8Cyl V (364) Denso; 10S20F; PV4	20-21711-AM
02	6.0L 8Cyl V (364) Denso; 10S20F; PV4	20-21711-AM
00	6.0L 8Cyl V (364) Denso; 10S20F; PV4	20-21711-AM
<b>SILVERADO 2500 HD</b>		
15-13	6.0L 8Cyl V (364)	20-21711-AM
12	6.0L 8Cyl V (364) Denso; 10S20F; PV4	20-21711-AM
11	6.0L 8Cyl V (364) Denso; 10S20F; PV4; New	20-21711-AM
09-02	6.0L 8Cyl V (364) Denso; 10S20F; PV4	20-21711-AM
07-02	8.1L 8Cyl V (496) Denso; 10S20F; PV4	20-21711-AM
<b>SILVERADO 3500</b>		
13	6.0L 8Cyl V (364)	20-21711-AM
12-11	6.0L 8Cyl V (366)	20-21711-AM
09-06	5.3L 8Cyl V (325) Denso; 10S20F; PV4	20-21711-AM
07-02	6.0L 8Cyl V (364) Denso; 10S20F; PV4	20-21711-AM
	8.1L 8Cyl V (496) Denso; 10S20F; PV4	20-21711-AM
05-04	5.3L 8Cyl V (323) Denso; 10S20F; PV4	20-21711-AM
02-01	6.6L 8Cyl V (400) HT6; PV6; 2.00 Coil; 4.33in Dia	20-10694-AM
<b>SILVERADO 3500 HD</b>		
15-13	6.0L 8Cyl V (364)	20-21711-AM
12-11	6.0L 8Cyl V (364) Denso; 10S20F; PV4	20-21711-AM
08-07	6.0L 8Cyl V (364) Denso; 10S20F; PV4	20-21711-AM

Prices shown are meant to be a guide. All prices are subject to change without notice. Call for current price and availability.



**CHEVROLET (Con't)**

**CHEVROLET (Con't)**

COMPRESSORS (Cont'd)		
Year	Application	Part No.
<b>SONORA</b>		
06-03	5.3L 8Cyl V (323)	20-21711-AM
<b>SUBURBAN</b>		
14	5.3L 8Cyl V (325)	20-21711-AM
<b>SUBURBAN 1500</b>		
14-12	5.3L 8Cyl V (325)	20-21711-AM
13	6.0L 8Cyl V (364)	20-21711-AM
12-10	6.0L 8Cyl V (366)	20-21711-AM
11-10	5.3L 8Cyl V (325) Denso; 10S20F; PV4	20-21711-AM
09-06	5.3L 8Cyl V (325) Denso; 10S20F; PV4; New	20-21711-AM
	6.0L 8Cyl V (364) Denso; 10S20F; PV4; New	20-21711-AM
05-03	5.3L 8Cyl V (323) Denso; 10S20F; PV4; New	20-21711-AM
02-00	5.3L 8Cyl V (323) Denso; 10S20F; PV4; New; w/Rear Air	20-21711-AM
<b>SUBURBAN 2500</b>		
13-12	6.0L 8Cyl V (364)	20-21711-AM
11-10	6.0L 8Cyl V (364) Denso; 10S20F; PV4	20-21711-AM
09-03	6.0L 8Cyl V (364) Denso; 10S20F; PV4; New	20-21711-AM
09	6.0L 8Cyl V (366) Denso; 10S20F; PV4	20-21711-AM
06-03	8.1L 8Cyl V (496) Denso; 10S20F; PV4; New	20-21711-AM
02-00	6.0L 8Cyl V (364) Denso; 10S20F; PV4; New; w/Rear Air	20-21711-AM
02-01	8.1L 8Cyl V (496) Denso; 10S20F; PV4; New; w/Rear Air	20-21711-AM
<b>TAHOE</b>		
14-12	5.3L 8Cyl V (325)	20-21711-AM
13-12	6.0L 8Cyl V (364)	20-21711-AM
11-10	5.3L 8Cyl V (325) Denso; 10S20F; PV4	20-21711-AM
	6.0L 8Cyl V (364) Denso; 10S20F; PV4	20-21711-AM
09-03	4.8L 8Cyl V (294) Denso; 10S20F; PV4; New	20-21711-AM
09-06	5.3L 8Cyl V (325) Denso; 10S20F; PV4; New	20-21711-AM
09-08	6.0L 8Cyl V (364) Denso; 10S20F; PV4; New	20-21711-AM
09	6.2L 8Cyl V (376) Denso; 10S20F; PV4; New	20-21711-AM
08	6.2L 8Cyl V (378) Denso; 10S20F; PV4	20-21711-AM
05-03	5.3L 8Cyl V (323) Denso; 10S20F; PV4; New	20-21711-AM
02	4.8L 8Cyl V (294) Denso; 10S20F; PV4; New; w/Rear Air	20-21711-AM
	5.3L 8Cyl V (323) Denso; 10S20F; PV4; New; w/Rear Air	20-21711-AM
01	4.8L 8Cyl V (294) Denso; 10S20F; PV4; New	20-21711-AM
	5.3L 8Cyl V (323) Denso; 10S20F; PV4; New	20-21711-AM
00	4.8L 8Cyl V (294) Denso; 10S20F; PV4; New; w/Rear Air	20-21711-AM
	5.3L 8Cyl V (323) Denso; 10S20F; PV4; New; w/Rear Air	20-21711-AM
<b>EVAPORATOR CORES</b>		
Year	Application	Part No.
<b>AVALANCHE</b>		
07	5.3L 8Cyl V (325)	27-33819
<b>AVALANCHE 1500</b>		
06	5.3L 8Cyl V (325) FRONT PLATE/FIN; w/air flow through center console RPO (D07)	27-33819
05-03	5.3L 8Cyl V (323) FRONT PLATE/FIN; w/air flow through center console RPO (D07)	27-33819
02	5.3L 8Cyl V (323), Front Plate/Fin;; Front Plate/Fin;; Front Plate/Fin;	27-30498
(Cont'd)		

EVAPORATOR CORES (Cont'd)		
Year	Application	Part No.
<b>AVALANCHE 1500 (Cont'd)</b>		
02	N/A Main	27-30498
<b>AVALANCHE 2500</b>		
06-03	8.1L 8Cyl V (496) FRONT PLATE/FIN; w/air flow through center console RPO (D07)	27-33819
02	8.1L 8Cyl V (496) Main	27-30498
	8.1L 8Cyl V (496), Front Plate/Fin;; Front Plate/Fin;; Front Plate/Fin;	27-30498
<b>BLAZER</b>		
99	4.3L 6Cyl V (262) Front A/C	27-30444
98-95	4.3L 6Cyl V (262), Front Plate/Fin;	27-30444
<b>C1500</b>		
99-96	5.0L 8Cyl V (305)	27-30444
	5.7L 8Cyl V (350)	27-30444
98-96	4.3L 6Cyl V (262)	27-30444
	6.5L 8Cyl V (395)	27-30444
<b>C1500 SUBURBAN</b>		
99-96	5.7L 8Cyl V (350) Front A/C	27-30444
	6.5L 8Cyl V (395) Front A/C	27-30444
<b>C2500</b>		
00-96	5.7L 8Cyl V (350)	27-30444
	6.5L 8Cyl V (395)	27-30444
	7.4L 8Cyl V (454)	27-30444
98-96	5.0L 8Cyl V (305)	27-30444
<b>C2500 SUBURBAN</b>		
99-98	5.7L 8Cyl V (350) Plate/Fin;	27-30444
	5.7L 8Cyl V (350), Front	27-30444
	6.5L 8Cyl V (395) Plate/Fin;	27-30444
	6.5L 8Cyl V (395), Front	27-30444
	7.4L 8Cyl V (454) Plate/Fin;	27-30444
	7.4L 8Cyl V (454), Front	27-30444
97-96	5.7L 8Cyl V (350) Front A/C	27-30444
	6.5L 8Cyl V (395) Front A/C	27-30444
	7.4L 8Cyl V (454) Front A/C	27-30444
<b>C3500</b>		
01	8.1L 8Cyl V (496)	27-30498
00-96	5.7L 8Cyl V (350)	27-30444
	6.5L 8Cyl V (395)	27-30444
	7.4L 8Cyl V (454)	27-30444
<b>K1500</b>		
99-96	5.0L 8Cyl V (305)	27-30444
	5.7L 8Cyl V (350)	27-30444
98-96	4.3L 6Cyl V (262)	27-30444
	6.5L 8Cyl V (395)	27-30444
<b>K1500 SUBURBAN</b>		
99-98	5.7L 8Cyl V (350)	27-30444
	5.7L 8Cyl V (350), Front	27-30444
	6.5L 8Cyl V (395)	27-30444
	6.5L 8Cyl V (395), Front	27-30444
<b>K2500</b>		
00-96	5.7L 8Cyl V (350)	27-30444
	6.5L 8Cyl V (395)	27-30444
	7.4L 8Cyl V (454)	27-30444
98-97	5.0L 8Cyl V (305)	27-30444
<b>K2500 SUBURBAN</b>		
99-98	5.7L 8Cyl V (350) Plate/Fin;	27-30444
	5.7L 8Cyl V (350), Front	27-30444
(Cont'd)		

Prices shown are meant to be a guide. All prices are subject to change without notice. Call for current price and availability.

**CHEVROLET (Con't)**

**CHEVROLET (Con't)**

EVAPORATOR CORES (Cont'd)		
Year	Application	Part No.
<b>K2500 SUBURBAN (Cont'd)</b>		
99-98	6.5L 8Cyl V (395) Plate/Fin.....	27-30444
	6.5L 8Cyl V (395), Front.....	27-30444
	7.4L 8Cyl V (454) Plate/Fin.....	27-30444
	7.4L 8Cyl V (454), Front.....	27-30444
97-96	5.7L 8Cyl V (350) Front A/C.....	27-30444
	6.5L 8Cyl V (395) Front A/C.....	27-30444
	7.4L 8Cyl V (454) Front A/C.....	27-30444
<b>K3500</b>		
00-96	5.7L 8Cyl V (350).....	27-30444
	6.5L 8Cyl V (395).....	27-30444
	7.4L 8Cyl V (454).....	27-30444
<b>LLV</b>		
95	2.2L 4Cyl L (134).....	27-30444
<b>SILVERADO 1500</b>		
13	N/A 2 DR Std cab; ext cab w/ATC RPO (CJ2).....	27-33819
12-08	4.3L 6Cyl V (262) 2 DR Std cab; ext cab w/ATC RPO (CJ2).....	27-33819
	4.8L 8Cyl V (294) 2 DR Std cab; ext cab w/ATC RPO (CJ2).....	27-33819
	5.3L 8Cyl V (325) 2 DR Std cab; ext cab w/ATC RPO (CJ2).....	27-33819
	6.0L 8Cyl V (364) 2 DR Std cab; ext cab w/ATC RPO (CJ2).....	27-33819
12-09	6.2L 8Cyl V (376) 2 DR Std cab; ext cab w/ATC RPO (CJ2).....	27-33819
07-03	4.3L 6Cyl V (262) except ext cab w/air flow through center console RPO (D07).....	27-33819
	4.8L 8Cyl V (294) except ext cab w/air flow through center console RPO (D07).....	27-33819
07-06	5.3L 8Cyl V (325) except ext cab w/air flow through center console RPO (D07).....	27-33819
07-03	6.0L 8Cyl V (364) except ext cab w/air flow through center console RPO (D07).....	27-33819
05-03	5.3L 8Cyl V (323) except ext cab w/air flow through center console RPO (D07).....	27-33819
02	4.3L 6Cyl V (262) NEW.....	27-30498
02-99	4.8L 8Cyl V (294).....	27-30498
02	4.8L 8Cyl V (294), Front PLATE FIN.....	27-30498
01-99	4.3L 6Cyl V (262).....	27-30498
	5.3L 8Cyl V (323).....	27-30498
<b>SILVERADO 1500 HD</b>		
07-05	6.0L 8Cyl V (364) except ext cab w/air flow through center console RPO (D07).....	27-33819
03	6.0L 8Cyl V (364) except ext cab w/air flow through center console RPO (D07).....	27-33819
02-01	6.0L 8Cyl V (364).....	27-30498
	6.0L 8Cyl V (364), Front PLATE FIN.....	27-30498
<b>SILVERADO 2500</b>		
14-13	N/A 2 DR Std cab; ext cab w/ATC RPO (CJ2).....	27-33819
12-11	4.8L 8Cyl V (293) 2 DR Std cab; ext cab w/ATC RPO (CJ2).....	27-33819
09-08	5.3L 8Cyl V (325) 2 DR Std cab; ext cab w/ATC RPO (CJ2).....	27-33819
07-06	5.3L 8Cyl V (325) except ext cab w/air flow through center console RPO (D07).....	27-33819
05	5.3L 8Cyl V (323) w/o Center Console.....	27-33819
04-03	6.0L 8Cyl V (364) except ext cab w/air flow through center console RPO (D07).....	27-33819
02-99	5.3L 8Cyl V (323).....	27-30498
	6.0L 8Cyl V (364).....	27-30498
02-01	6.0L 8Cyl V (364), Front PLATE FIN.....	27-30498

EVAPORATOR CORES (Cont'd)		
Year	Application	Part No.
<b>SILVERADO 2500 HD</b>		
14-13	N/A 2 DR Std cab; ext cab w/ATC RPO (CJ2).....	27-33819
12-07	6.0L 8Cyl V (364) 2 DR Std cab; ext cab w/ATC RPO (CJ2).....	27-33819
	6.6L 8Cyl V (400) 2 DR Std cab; ext cab w/ATC RPO (CJ2).....	27-33819
07	8.1L 8Cyl V (496) 2 DR Std cab; ext cab w/ATC RPO (CJ2).....	27-33819
06	6.0L 8Cyl V (364) except ext cab w/air flow through center console RPO (D07).....	27-33819
	6.6L 8Cyl V (400) except ext cab w/air flow through center console RPO (D07).....	27-33819
	8.1L 8Cyl V (496) except ext cab w/air flow through center console RPO (D07).....	27-33819
05	6.0L 8Cyl V (364) 2 DR Std cab; ext cab w/ATC RPO (CJ2).....	27-33819
	6.6L 8Cyl V (400) 2 DR Std cab; ext cab w/ATC RPO (CJ2).....	27-33819
	8.1L 8Cyl V (496) 2 DR Std cab; ext cab w/ATC RPO (CJ2).....	27-33819
04-03	6.0L 8Cyl V (364) except ext cab w/air flow through center console RPO (D07).....	27-33819
	6.6L 8Cyl V (400) except ext cab w/air flow through center console RPO (D07).....	27-33819
	8.1L 8Cyl V (496) except ext cab w/air flow through center console RPO (D07).....	27-33819
02-01	6.0L 8Cyl V (364).....	27-30498
	6.6L 8Cyl V (400).....	27-30498
	8.1L 8Cyl V (496).....	27-30498
<b>SILVERADO 3500</b>		
13-11	N/A 2 DR Std cab; ext cab w/ATC RPO (CJ2).....	27-33819
09	5.3L 8Cyl V (325) with Automatic Temperature Control; w/o Center Console.....	27-33819
08	5.3L 8Cyl V (325) 2 DR Std cab; ext cab w/ATC RPO (CJ2).....	27-33819
05-03	6.0L 8Cyl V (364) except ext cab w/air flow through center console RPO (D07).....	27-33819
	6.6L 8Cyl V (400) except ext cab w/air flow through center console RPO (D07).....	27-33819
	8.1L 8Cyl V (496) except ext cab w/air flow through center console RPO (D07).....	27-33819
02-01	6.0L 8Cyl V (364).....	27-30498
	6.6L 8Cyl V (400).....	27-30498
	8.1L 8Cyl V (496).....	27-30498
<b>SILVERADO 3500 HD</b>		
14-13	N/A 2 DR Std cab; ext cab w/ATC RPO (CJ2).....	27-33819
12-10	6.0L 8Cyl V (364) 2 DR Std cab; ext cab w/ATC RPO (CJ2).....	27-33819
	6.6L 8Cyl V (400) 2 DR Std cab; ext cab w/ATC RPO (CJ2).....	27-33819
08	6.0L 8Cyl V (364) 2 DR Std cab; ext cab w/ATC RPO (CJ2).....	27-33819
	6.6L 8Cyl V (400) 2 DR Std cab; ext cab w/ATC RPO (CJ2).....	27-33819
07	6.0L 8Cyl V (364) except ext cab w/air flow through center console RPO (D07).....	27-33819
	6.6L 8Cyl V (400) except ext cab w/air flow through center console RPO (D07).....	27-33819
<b>SUBURBAN 1500</b>		
14-12	N/A FRONT PLATE/FIN.....	27-33819
11-06	5.3L 8Cyl V (325), Front.....	27-33819
09-06	6.0L 8Cyl V (364), Front.....	27-33819
05-03	5.3L 8Cyl V (323) FRONT PLATE/FIN.....	27-33819
02-00	5.3L 8Cyl V (323) Front A/C.....	27-30498
99-95	5.7L 8Cyl V (350), Front.....	27-30444
<b>SUBURBAN 2500</b>		
13-12	N/A FRONT PLATE/FIN.....	27-33819
11-06	6.0L 8Cyl V (364), Front.....	27-33819
09	6.0L 8Cyl V (366), Front.....	27-33819

Prices shown are meant to be a guide. All prices are subject to change without notice. Call for current price and availability.

**CHEVROLET (Con't)**

**CHEVROLET (Con't)**

<b>EVAPORATOR CORES (Cont'd)</b>		
<b>Year</b>	<b>Application</b>	<b>Part No.</b>
<b>SUBURBAN 2500 (Cont'd)</b>		
06	8.1L 8Cyl V (496), Front	27-33819
05-03	6.0L 8Cyl V (364) FRONT PLATE/FIN	27-33819
	8.1L 8Cyl V (496) FRONT PLATE/FIN	27-33819
02-00	6.0L 8Cyl V (364) Front A/C	27-30498
02-01	8.1L 8Cyl V (496) Front A/C	27-30498

<b>TAHOE</b>		
14-11	N/A FRONT PLATE/FIN	27-33819
10	5.3L 8Cyl V (325) FRONT PLATE/FIN	27-33819
	6.0L 8Cyl V (364) FRONT PLATE/FIN	27-33819
09	4.8L 8Cyl V (294), Front	27-33819
	5.3L 8Cyl V (325), Front	27-33819
	6.0L 8Cyl V (364), Front	27-33819
	6.2L 8Cyl V (376), Front	27-33819
08-03	4.8L 8Cyl V (294) FRONT PLATE/FIN	27-33819
08-06	5.3L 8Cyl V (325) FRONT PLATE/FIN	27-33819
08	6.0L 8Cyl V (364) FRONT PLATE/FIN	27-33819
05-03	5.3L 8Cyl V (323) FRONT PLATE/FIN	27-33819
02-01	4.8L 8Cyl V (294) Front A/C	27-30498
	5.3L 8Cyl V (323) Front A/C	27-30498
00	4.8L 8Cyl V (294), Front Plate/Fin;; Front Plate/Fin;	27-30498
	5.3L 8Cyl V (323), Front Plate/Fin;; Front Plate/Fin;	27-30498
	5.7L 8Cyl V (350), Front Plate/Fin;; Front Plate/Fin;	27-30498
	5.7L 8Cyl V (350), Front Plate/Fin;; Front Plate/Fin;; Front Plate/Fin;	27-30444
99-98	5.7L 8Cyl V (350) Front A/C	27-30444
	6.5L 8Cyl V (395) Front A/C	27-30444
97	5.7L 8Cyl V (350), Front Plate/Fin;; Front Plate/Fin;	27-30444
	6.5L 8Cyl V (395), Front NEW	27-30444
96	5.7L 8Cyl V (350)	27-30444
	6.5L 8Cyl V (395)	27-30444

<b>EXPANSION VALVE ORIFICE TUBES</b>		
<b>Year</b>	<b>Application</b>	<b>Part No.</b>
<b>ASTRO</b>		
05-04	4.3L 6Cyl V (262) Brown	MT0099-1
01-95	4.3L 6Cyl V (262) EVAPORATOR MOUNTING	MT0097-1
<b>AVALANCHE</b>		
07	5.3L 8Cyl V (325) Black; Optional Auto Adj Orifice Tube 3411303	MT0098-1
<b>AVALANCHE 1500</b>		
06	5.3L 8Cyl V (325) Black; Optional Auto Adj Orifice Tube 3411303	MT0098-1
	5.3L 8Cyl V (325) Variable Orifice Tube - Condenser Mounted - Improved A/C System Performance in Hot Climates and City Driving	MT0628
05-04	5.3L 8Cyl V (323) Black; Optional Auto Adj Orifice Tube 3411303	MT0098-1
03	5.3L 8Cyl V (323) Fixed Orifice Tube - Black and White - Front/Main Unit - Condenser Mounted	MT0098-1
02	5.3L 8Cyl V (323) Black; Optional Auto Adj Orifice Tube 3411303	MT0098-1

<b>EXPANSION VALVE ORIFICE TUBES (Cont'd)</b>		
<b>Year</b>	<b>Application</b>	<b>Part No.</b>
<b>AVALANCHE 2500</b>		
06-02	8.1L 8Cyl V (496) Black; Optional Auto Adj Orifice Tube 3411303	MT0098-1
06	8.1L 8Cyl V (496) Variable Orifice Tube - Condenser Mounted - Improved A/C System Performance in Hot Climates and City Driving	MT0628
<b>BLAZER</b>		
05-95	4.3L 6Cyl V (262) EVAPORATOR MOUNTING	MT0097-1
<b>C35</b>		
00-95	5.7L 8Cyl V (350) Variable Orifice Tube - Condenser Mounted - Improved A/C System Performance in Hot Climates and City Driving	MT0628
<b>C1500</b>		
99-95	5.0L 8Cyl V (305) Black; Optional Auto Adj Orifice Tube 3411303	MT0098-1
	5.0L 8Cyl V (305) Variable Orifice Tube - Condenser Mounted - Improved A/C System Performance in Hot Climates and City Driving	MT0628
	5.7L 8Cyl V (350) Black; Optional Auto Adj Orifice Tube 3411303	MT0098-1
	5.7L 8Cyl V (350) Variable Orifice Tube - Condenser Mounted - Improved A/C System Performance in Hot Climates and City Driving	MT0628
98-95	4.3L 6Cyl V (262) Black; Optional Auto Adj Orifice Tube 3411303	MT0098-1
	4.3L 6Cyl V (262) Variable Orifice Tube - Condenser Mounted - Improved A/C System Performance in Hot Climates and City Driving	MT0628
	6.5L 8Cyl V (395) Black; Optional Auto Adj Orifice Tube 3411303	MT0098-1
	6.5L 8Cyl V (395) Variable Orifice Tube - Condenser Mounted - Improved A/C System Performance in Hot Climates and City Driving	MT0628
<b>C1500 SUBURBAN</b>		
99-96	5.7L 8Cyl V (350) Black	MT0098-1
99-95	5.7L 8Cyl V (350) Variable Orifice Tube - Condenser Mounted - Improved A/C System Performance in Hot Climates and City Driving	MT0628
99-96	6.5L 8Cyl V (395) Black	MT0098-1
99-95	6.5L 8Cyl V (395) Variable Orifice Tube - Condenser Mounted - Improved A/C System Performance in Hot Climates and City Driving	MT0628
95	5.7L 8Cyl V (350), Front Black; Optional Auto Adj Orifice Tube 3411303	MT0098-1
	6.5L 8Cyl V (395), Front Black; Optional Auto Adj Orifice Tube 3411303	MT0098-1
<b>C2500</b>		
00-95	5.7L 8Cyl V (350) Black; Optional Auto Adj Orifice Tube 3411303	MT0098-1
	5.7L 8Cyl V (350) Variable Orifice Tube - Condenser Mounted - Improved A/C System Performance in Hot Climates and City Driving	MT0628
	6.5L 8Cyl V (395) Black; Optional Auto Adj Orifice Tube 3411303	MT0098-1
	6.5L 8Cyl V (395) Variable Orifice Tube - Condenser Mounted - Improved A/C System Performance in Hot Climates and City Driving	MT0628
	7.4L 8Cyl V (454) Black; Optional Auto Adj Orifice Tube 3411303	MT0098-1
	7.4L 8Cyl V (454) Variable Orifice Tube - Condenser Mounted - Improved A/C System Performance in Hot Climates and City Driving	MT0628
98-95	5.0L 8Cyl V (305) Black; Optional Auto Adj Orifice Tube 3411303	MT0098-1
	5.0L 8Cyl V (305) Variable Orifice Tube - Condenser Mounted - Improved A/C System Performance in Hot Climates and City Driving	MT0628
95	4.3L 6Cyl V (262) Black; Optional Auto Adj Orifice Tube 3411303	MT0098-1
	4.3L 6Cyl V (262) Variable Orifice Tube - Condenser Mounted - Improved A/C System Performance in Hot Climates and City Driving	MT0628

Prices shown are meant to be a guide. All prices are subject to change without notice. Call for current price and availability.

CHEVROLET (Con't)			CHEVROLET (Con't)		
EXPANSION VALVE ORIFICE TUBES (Cont'd)			EXPANSION VALVE ORIFICE TUBES (Cont'd)		
Year	Application	Part No.	Year	Application	Part No.
<b>C2500 SUBURBAN</b>			<b>CAVALIER (Cont'd)</b>		
99-97	5.7L 8Cyl V (350) Fixed Orifice Tube - Black and White - Front/Main Unit - Condenser Mounted	MT0098-1	02-96	2.4L 4Cyl L (146) Black; Optional Auto Adj Orifice Tube 3411303	MT0098-1
99-95	5.7L 8Cyl V (350) Variable Orifice Tube - Condenser Mounted - Improved A/C System Performance in Hot Climates and City Driving	MT0628	02-95	2.4L 4Cyl L (146) Variable Orifice Tube - Condenser Mounted - Improved A/C System Performance in Hot Climates and City Driving	MT0628
99-97	6.5L 8Cyl V (395) Fixed Orifice Tube - Black and White - Front/Main Unit - Condenser Mounted	MT0098-1	95	2.3L 4Cyl L (138) Black; Optional Auto Adj Orifice Tube 3411303	MT0098-1
99-95	6.5L 8Cyl V (395) Variable Orifice Tube - Condenser Mounted - Improved A/C System Performance in Hot Climates and City Driving	MT0628		2.3L 4Cyl L (138) Variable Orifice Tube - Condenser Mounted - Improved A/C System Performance in Hot Climates and City Driving	MT0628
99-97	7.4L 8Cyl V (454) Fixed Orifice Tube - Black and White - Front/Main Unit - Condenser Mounted	MT0098-1	<b>CLASSIC</b>		
99-95	7.4L 8Cyl V (454) Variable Orifice Tube - Condenser Mounted - Improved A/C System Performance in Hot Climates and City Driving	MT0628	05-04	2.2L 4Cyl L (134) Brown	MT0099-1
95	5.7L 8Cyl V (350) Black	MT0098-1	<b>CORVETTE</b>		
	5.7L 8Cyl V (350), Front Black; Optional Auto Adj Orifice Tube 3411303	MT0098-1	04-99	5.7L 8Cyl V (350) Variable Orifice Tube - Condenser Mounted - Improved A/C System Performance in Hot Climates and City Driving	MT0628
	6.5L 8Cyl V (395) Black	MT0098-1	96-95	5.7L 8Cyl V (350) EVAPORATOR MOUNTING	MT0097-1
	6.5L 8Cyl V (395), Front Black; Optional Auto Adj Orifice Tube 3411303	MT0098-1	<b>EXPRESS 1500</b>		
	7.4L 8Cyl V (454) Black	MT0098-1	10-98	4.3L 6Cyl V (262) EVAPORATOR MOUNTING	MT0097-1
	7.4L 8Cyl V (454), Front Black; Optional Auto Adj Orifice Tube 3411303	MT0098-1	10-06	5.3L 8Cyl V (325) EVAPORATOR MOUNTING	MT0097-1
			05-03	5.3L 8Cyl V (323) EVAPORATOR MOUNTING	MT0097-1
			02-98	5.0L 8Cyl V (305) EVAPORATOR MOUNTING	MT0097-1
				5.7L 8Cyl V (350) EVAPORATOR MOUNTING	MT0097-1
<b>C3500</b>			<b>EXPRESS 2500</b>		
04-95	5.7L 8Cyl V (350) Variable Orifice Tube - Condenser Mounted - Improved A/C System Performance in Hot Climates and City Driving	MT0628	10-03	4.8L 8Cyl V (294) EVAPORATOR MOUNTING	MT0097-1
03-01	8.1L 8Cyl V (496) Variable Orifice Tube - Condenser Mounted - Improved A/C System Performance in Hot Climates and City Driving	MT0628		6.0L 8Cyl V (364) EVAPORATOR MOUNTING	MT0097-1
00-95	5.7L 8Cyl V (350) Black; Optional Auto Adj Orifice Tube 3411303	MT0098-1	10-06	6.6L 8Cyl V (400) EVAPORATOR MOUNTING	MT0097-1
	6.5L 8Cyl V (395) Black; Optional Auto Adj Orifice Tube 3411303	MT0098-1	05-00	4.3L 6Cyl V (262) EVAPORATOR MOUNTING	MT0097-1
	6.5L 8Cyl V (395) Variable Orifice Tube - Condenser Mounted - Improved A/C System Performance in Hot Climates and City Driving	MT0628	05-03	5.3L 8Cyl V (323) EVAPORATOR MOUNTING	MT0097-1
	7.4L 8Cyl V (454) Black; Optional Auto Adj Orifice Tube 3411303	MT0098-1	02-00	5.0L 8Cyl V (305) EVAPORATOR MOUNTING	MT0097-1
	7.4L 8Cyl V (454) Variable Orifice Tube - Condenser Mounted - Improved A/C System Performance in Hot Climates and City Driving	MT0628	98	5.7L 8Cyl V (350) EVAPORATOR MOUNTING	MT0097-1
<b>CAMARO</b>			98-96	5.7L 8Cyl V (350) EVAPORATOR MOUNTING	MT0097-1
02-95	3.8L 6Cyl V (231) Black; Optional Auto Adj Orifice Tube 3411303	MT0098-1		6.5L 8Cyl V (395) EVAPORATOR MOUNTING	MT0097-1
	3.8L 6Cyl V (231) Variable Orifice Tube - Condenser Mounted - Improved A/C System Performance in Hot Climates and City Driving	MT0628	<b>EXPRESS 3500</b>		
02-98	5.7L 8Cyl V (350) Black; Optional Auto Adj Orifice Tube 3411303	MT0098-1	10-05	4.8L 8Cyl V (294) EVAPORATOR MOUNTING	MT0097-1
	5.7L 8Cyl V (350) Variable Orifice Tube - Condenser Mounted - Improved A/C System Performance in Hot Climates and City Driving	MT0628	10-03	6.0L 8Cyl V (364) EVAPORATOR MOUNTING	MT0097-1
<b>CAPRICE</b>			10-06	6.6L 8Cyl V (400) EVAPORATOR MOUNTING	MT0097-1
96-95	4.3L 8Cyl V (265) Black; Optional Auto Adj Orifice Tube 3411303	MT0098-1	02-99	5.7L 8Cyl V (350) EVAPORATOR MOUNTING	MT0097-1
	4.3L 8Cyl V (265) Variable Orifice Tube - Condenser Mounted - Improved A/C System Performance in Hot Climates and City Driving	MT0628		6.5L 8Cyl V (395) EVAPORATOR MOUNTING	MT0097-1
	5.7L 8Cyl V (350) Black; Optional Auto Adj Orifice Tube 3411303	MT0098-1	02-01	8.1L 8Cyl V (496) EVAPORATOR MOUNTING	MT0097-1
	5.7L 8Cyl V (350) Variable Orifice Tube - Condenser Mounted - Improved A/C System Performance in Hot Climates and City Driving	MT0628	00-99	7.4L 8Cyl V (454) EVAPORATOR MOUNTING	MT0097-1
<b>CAVALIER</b>			97-96	5.7L 8Cyl V (350) EVAPORATOR MOUNTING	MT0097-1
05-95	2.2L 4Cyl L (134) Black; Optional Auto Adj Orifice Tube 3411303	MT0098-1		6.5L 8Cyl V (395) EVAPORATOR MOUNTING	MT0097-1
(Cont'd)	2.2L 4Cyl L (134) Variable Orifice Tube - Condenser Mounted - Improved A/C System Performance in Hot Climates and City Driving	MT0628		7.4L 8Cyl V (454) EVAPORATOR MOUNTING	MT0097-1

Prices shown are meant to be a guide. All prices are subject to change without notice. Call for current price and availability.

<b>CHEVROLET (Con't)</b>			<b>CHEVROLET (Con't)</b>		
<b>EXPANSION VALVE ORIFICE TUBES (Cont'd)</b>			<b>EXPANSION VALVE ORIFICE TUBES (Cont'd)</b>		
<b>Year</b>	<b>Application</b>	<b>Part No.</b>	<b>Year</b>	<b>Application</b>	<b>Part No.</b>
<b>G10</b>			<b>K2500 (Cont'd)</b>		
95	4.3L 6Cyl V (262) EVAPORATOR MOUNTING .....	MT0097-1	00-95	6.5L 8Cyl V (395) Black; Optional Auto Adj Orifice Tube 3411303 .....	MT0098-1
	5.0L 8Cyl V (305) EVAPORATOR MOUNTING .....	MT0097-1		6.5L 8Cyl V (395) Variable Orifice Tube - Condenser Mounted - Improved A/C System Performance in Hot Climates and City Driving .....	MT0628
<b>G20</b>				7.4L 8Cyl V (454) Black; Optional Auto Adj Orifice Tube 3411303 .....	MT0098-1
95	4.3L 6Cyl V (262) EVAPORATOR MOUNTING .....	MT0097-1		7.4L 8Cyl V (454) Variable Orifice Tube - Condenser Mounted - Improved A/C System Performance in Hot Climates and City Driving .....	MT0628
	5.0L 8Cyl V (305) EVAPORATOR MOUNTING .....	MT0097-1	98-97	5.0L 8Cyl V (305) Black; Optional Auto Adj Orifice Tube 3411303 .....	MT0098-1
	5.7L 8Cyl V (350) EVAPORATOR MOUNTING .....	MT0097-1		5.0L 8Cyl V (305) Variable Orifice Tube - Condenser Mounted - Improved A/C System Performance in Hot Climates and City Driving .....	MT0628
	6.5L 8Cyl V (395) EVAPORATOR MOUNTING .....	MT0097-1	95	4.3L 6Cyl V (262) Black; Optional Auto Adj Orifice Tube 3411303 .....	MT0098-1
<b>G30</b>				4.3L 6Cyl V (262) Variable Orifice Tube - Condenser Mounted - Improved A/C System Performance in Hot Climates and City Driving .....	MT0628
96-95	5.7L 8Cyl V (350) EVAPORATOR MOUNTING .....	MT0097-1		5.0L 8Cyl V (305) Black; Optional Auto Adj Orifice Tube 3411303 .....	MT0098-1
	6.5L 8Cyl V (395) EVAPORATOR MOUNTING .....	MT0097-1		5.0L 8Cyl V (305) Variable Orifice Tube - Condenser Mounted - Improved A/C System Performance in Hot Climates and City Driving .....	MT0628
	7.4L 8Cyl V (454) EVAPORATOR MOUNTING .....	MT0097-1		5.0L 8Cyl V (305) Black; Optional Auto Adj Orifice Tube 3411303 .....	MT0098-1
95	4.3L 6Cyl V (262) EVAPORATOR MOUNTING .....	MT0097-1		5.0L 8Cyl V (305) Variable Orifice Tube - Condenser Mounted - Improved A/C System Performance in Hot Climates and City Driving .....	MT0628
<b>IMPALA</b>			<b>K2500 SUBURBAN</b>		
03-00	3.4L 6Cyl V (207) Gray/ White .....	MT0924-1	99-95	5.7L 8Cyl V (350) Variable Orifice Tube - Condenser Mounted - Improved A/C System Performance in Hot Climates and City Driving .....	MT0628
03	3.8L 6Cyl V (231) Gray/ White .....	MT0924-1		6.5L 8Cyl V (395) Variable Orifice Tube - Condenser Mounted - Improved A/C System Performance in Hot Climates and City Driving .....	MT0628
00	3.8L 6Cyl V (231) Gray/ White .....	MT0924-1		7.4L 8Cyl V (454) Variable Orifice Tube - Condenser Mounted - Improved A/C System Performance in Hot Climates and City Driving .....	MT0628
96-95	SS, 5.7L 8Cyl V (350) Black; Optional Auto Adj Orifice Tube 3411303 .....	MT0098-1	95	5.7L 8Cyl V (350), Front Black; Optional Auto Adj Orifice Tube 3411303 .....	MT0098-1
<b>K1500</b>				6.5L 8Cyl V (395), Front Black; Optional Auto Adj Orifice Tube 3411303 .....	MT0098-1
99-95	5.0L 8Cyl V (305) Black; Optional Auto Adj Orifice Tube 3411303 .....	MT0098-1		7.4L 8Cyl V (454), Front Black; Optional Auto Adj Orifice Tube 3411303 .....	MT0098-1
	5.0L 8Cyl V (305) Variable Orifice Tube - Condenser Mounted - Improved A/C System Performance in Hot Climates and City Driving .....	MT0628	<b>K3500</b>		
	5.7L 8Cyl V (350) Black; Optional Auto Adj Orifice Tube 3411303 .....	MT0098-1	00-95	5.7L 8Cyl V (350) Black; Optional Auto Adj Orifice Tube 3411303 .....	MT0098-1
	5.7L 8Cyl V (350) Variable Orifice Tube - Condenser Mounted - Improved A/C System Performance in Hot Climates and City Driving .....	MT0628		5.7L 8Cyl V (350) Variable Orifice Tube - Condenser Mounted - Improved A/C System Performance in Hot Climates and City Driving .....	MT0628
98-95	4.3L 6Cyl V (262) Black; Optional Auto Adj Orifice Tube 3411303 .....	MT0098-1		6.5L 8Cyl V (395) Black; Optional Auto Adj Orifice Tube 3411303 .....	MT0098-1
	4.3L 6Cyl V (262) Variable Orifice Tube - Condenser Mounted - Improved A/C System Performance in Hot Climates and City Driving .....	MT0628		6.5L 8Cyl V (395) Variable Orifice Tube - Condenser Mounted - Improved A/C System Performance in Hot Climates and City Driving .....	MT0628
	6.5L 8Cyl V (395) Black; Optional Auto Adj Orifice Tube 3411303 .....	MT0098-1		7.4L 8Cyl V (454) Black; Optional Auto Adj Orifice Tube 3411303 .....	MT0098-1
	6.5L 8Cyl V (395) Variable Orifice Tube - Condenser Mounted - Improved A/C System Performance in Hot Climates and City Driving .....	MT0628		7.4L 8Cyl V (454) Variable Orifice Tube - Condenser Mounted - Improved A/C System Performance in Hot Climates and City Driving .....	MT0628
<b>K1500 SUBURBAN</b>			<b>LUMINA</b>		
99-96	5.7L 8Cyl V (350) Fixed Orifice Tube - Black and White - Front/Main Unit - Condenser Mounted .....	MT0098-1	01-95	3.1L 6Cyl V (189) EVAPORATOR MOUNTING .....	MT0097-1
99-95	5.7L 8Cyl V (350) Variable Orifice Tube - Condenser Mounted - Improved A/C System Performance in Hot Climates and City Driving .....	MT0628	99-98	3.8L 6Cyl V (231) EVAPORATOR MOUNTING .....	MT0097-1
99-96	6.5L 8Cyl V (395) Fixed Orifice Tube - Black and White - Front/Main Unit - Condenser Mounted .....	MT0098-1	97-95	3.4L 6Cyl V (207) EVAPORATOR MOUNTING .....	MT0097-1
99-95	6.5L 8Cyl V (395) Variable Orifice Tube - Condenser Mounted - Improved A/C System Performance in Hot Climates and City Driving .....	MT0628	<b>LUMINA APV</b>		
95	5.7L 8Cyl V (350), Front Black; Optional Auto Adj Orifice Tube 3411303 .....	MT0098-1	96	3.4L 6Cyl V (207) EVAPORATOR MOUNTING .....	MT0097-1
	6.5L 8Cyl V (395), Front Black; Optional Auto Adj Orifice Tube 3411303 .....	MT0098-1	95	3.1L 6Cyl V (189) EVAPORATOR MOUNTING .....	MT0097-1
				3.8L 6Cyl V (231) EVAPORATOR MOUNTING .....	MT0097-1
<b>K2500</b>					
00-95	5.7L 8Cyl V (350) Black; Optional Auto Adj Orifice Tube 3411303 .....	MT0098-1	<b>MALIBU</b>		
	5.7L 8Cyl V (350) Variable Orifice Tube - Condenser Mounted - Improved A/C System Performance in Hot Climates and City Driving .....	MT0628	03-97	3.1L 6Cyl V (189) Brown .....	MT0099-1
(Cont'd)			99-97	2.4L 4Cyl L (146) Brown .....	MT0099-1

Prices shown are meant to be a guide. All prices are subject to change without notice. Call for current price and availability.

CHEVROLET (Con't)			CHEVROLET (Con't)		
EXPANSION VALVE ORIFICE TUBES (Cont'd)			EXPANSION VALVE ORIFICE TUBES (Cont'd)		
Year	Application	Part No.	Year	Application	Part No.
<b>MONTE CARLO</b>			<b>SILVERADO 1500 (Cont'd)</b>		
03-00	3.4L 6Cyl V (207) Gray/ White	MT0924-1	04	4.3L 6Cyl V (262) 1ST DESIGN; 13mm; Black/White	MT0098-1
	3.8L 6Cyl V (231) Gray/ White	MT0924-1		4.8L 8Cyl V (294) 1ST DESIGN; 13mm; Black/White	MT0098-1
00	3.4L 6Cyl V (207) EVAPORATOR MOUNTING	MT0097-1		5.3L 8Cyl V (323) 1ST DESIGN; 13mm; Black/White	MT0098-1
00-98	3.8L 6Cyl V (231) EVAPORATOR MOUNTING	MT0097-1		6.0L 8Cyl V (364) 1ST DESIGN; 13mm; Black/White	MT0098-1
99-95	3.1L 6Cyl V (189) EVAPORATOR MOUNTING	MT0097-1	03-99	4.3L 6Cyl V (262) Black; Optional Auto Adj Orifice Tube 3411303	MT0098-1
97-95	3.4L 6Cyl V (207) EVAPORATOR MOUNTING	MT0097-1		4.8L 8Cyl V (294) Black; Optional Auto Adj Orifice Tube 3411303	MT0098-1
<b>OPTRA</b>				5.3L 8Cyl V (323) Black; Optional Auto Adj Orifice Tube 3411303	MT0098-1
05-04	2.0L 4Cyl L (122)	MT0097-1	03	6.0L 8Cyl V (364) Black; Optional Auto Adj Orifice Tube 3411303	MT0098-1
<b>R15</b>			<b>SILVERADO 1500 HD</b>		
01-99	4.3L 6Cyl V (262) Variable Orifice Tube - Condenser Mounted - Improved A/C System Performance in Hot Climates and City Driving	MT0628	06-05	6.0L 8Cyl V (364) Black; Optional Auto Adj Orifice Tube 3411303	MT0098-1
98-95	4.1L 6Cyl L (250) Variable Orifice Tube - Condenser Mounted - Improved A/C System Performance in Hot Climates and City Driving	MT0628		6.0L 8Cyl V (364) Variable Orifice Tube - Condenser Mounted - Improved A/C System Performance in Hot Climates and City Driving	MT0628
<b>R25</b>			03-01	6.0L 8Cyl V (364) Black; Optional Auto Adj Orifice Tube 3411303	MT0098-1
02	5.7L 8Cyl V (350) Variable Orifice Tube - Condenser Mounted - Improved A/C System Performance in Hot Climates and City Driving	MT0628		6.0L 8Cyl V (364) Variable Orifice Tube - Condenser Mounted - Improved A/C System Performance in Hot Climates and City Driving	MT0628
00-95	5.7L 8Cyl V (350) Variable Orifice Tube - Condenser Mounted - Improved A/C System Performance in Hot Climates and City Driving	MT0628	<b>SILVERADO 2500</b>		
<b>S10</b>			06	5.3L 8Cyl V (325) Black; Optional Auto Adj Orifice Tube 3411303	MT0098-1
04-01	GAS, 4.3L 6Cyl V (262) EVAPORATOR MOUNTING	MT0097-1		5.3L 8Cyl V (325) Variable Orifice Tube - Condenser Mounted - Improved A/C System Performance in Hot Climates and City Driving	MT0628
03	GAS, 2.2L 4Cyl L (134) EVAPORATOR MOUNTING	MT0097-1	05-99	5.3L 8Cyl V (323) Variable Orifice Tube - Condenser Mounted - Improved A/C System Performance in Hot Climates and City Driving	MT0628
00-99	2.2L 4Cyl L (134) EVAPORATOR MOUNTING	MT0097-1	04-99	5.3L 8Cyl V (323) Black; Optional Auto Adj Orifice Tube 3411303	MT0098-1
	4.3L 6Cyl V (262) EVAPORATOR MOUNTING	MT0097-1		6.0L 8Cyl V (364) Black; Optional Auto Adj Orifice Tube 3411303	MT0098-1
98-97	GAS, 2.2L 4Cyl L (134) EVAPORATOR MOUNTING	MT0097-1		6.0L 8Cyl V (364) Variable Orifice Tube - Condenser Mounted - Improved A/C System Performance in Hot Climates and City Driving	MT0628
	GAS, 4.3L 6Cyl V (262) EVAPORATOR MOUNTING	MT0097-1	02-01	5.7L 8Cyl V (350) Variable Orifice Tube - Condenser Mounted - Improved A/C System Performance in Hot Climates and City Driving	MT0628
96-95	2.2L 4Cyl L (134) EVAPORATOR MOUNTING	MT0097-1	<b>SILVERADO 2500 HD</b>		
	4.3L 6Cyl V (262) EVAPORATOR MOUNTING	MT0097-1	06	6.0L 8Cyl V (364) First Design - 13mm - Black and White - Front/Main Unit - Condenser Mounted; Optional Auto Adj Orifice Tube 3411303	MT0098-1
<b>SILVERADO</b>			06-01	6.0L 8Cyl V (364) Variable Orifice Tube - Condenser Mounted - Improved A/C System Performance in Hot Climates and City Driving	MT0628
99-95	5.7L 8Cyl V (350) Variable Orifice Tube - Condenser Mounted - Improved A/C System Performance in Hot Climates and City Driving	MT0628	06	6.6L 8Cyl V (400) First Design - 13mm - Black and White - Front/Main Unit - Condenser Mounted; Optional Auto Adj Orifice Tube 3411303	MT0098-1
<b>SILVERADO 1500</b>			06-01	6.6L 8Cyl V (400) Variable Orifice Tube - Condenser Mounted - Improved A/C System Performance in Hot Climates and City Driving	MT0628
06-05	4.3L 6Cyl V (262) Black; Optional Auto Adj Orifice Tube 3411303	MT0098-1	06	8.1L 8Cyl V (496) First Design - 13mm - Black and White - Front/Main Unit - Condenser Mounted; Optional Auto Adj Orifice Tube 3411303	MT0098-1
06-99	4.3L 6Cyl V (262) Variable Orifice Tube - Condenser Mounted - Improved A/C System Performance in Hot Climates and City Driving	MT0628	06-01	8.1L 8Cyl V (496) Variable Orifice Tube - Condenser Mounted - Improved A/C System Performance in Hot Climates and City Driving	MT0628
06-05	4.8L 8Cyl V (294) Black; Optional Auto Adj Orifice Tube 3411303	MT0098-1	05-01	6.0L 8Cyl V (364) Black; Optional Auto Adj Orifice Tube 3411303	MT0098-1
06-99	4.8L 8Cyl V (294) Variable Orifice Tube - Condenser Mounted - Improved A/C System Performance in Hot Climates and City Driving	MT0628		6.6L 8Cyl V (400) Black; Optional Auto Adj Orifice Tube 3411303	MT0098-1
06	5.3L 8Cyl V (325) Black; Optional Auto Adj Orifice Tube 3411303	MT0098-1		8.1L 8Cyl V (496) Black; Optional Auto Adj Orifice Tube 3411303	MT0098-1
	5.3L 8Cyl V (325) Variable Orifice Tube - Condenser Mounted - Improved A/C System Performance in Hot Climates and City Driving	MT0628		Black; Optional Auto Adj Orifice Tube 3411303	MT0098-1
06-05	6.0L 8Cyl V (364) Black; Optional Auto Adj Orifice Tube 3411303	MT0098-1	<b>SILVERADO 3500</b>		
06-03	6.0L 8Cyl V (364) Variable Orifice Tube - Condenser Mounted - Improved A/C System Performance in Hot Climates and City Driving	MT0628	07-01	6.6L 8Cyl V (400) Black; Optional Auto Adj Orifice Tube 3411303	MT0098-1
05	5.3L 8Cyl V (323) Black; Optional Auto Adj Orifice Tube 3411303	MT0098-1	06	5.3L 8Cyl V (325) Black; Optional Auto Adj Orifice Tube 3411303	MT0098-1
05-99	5.3L 8Cyl V (323) Variable Orifice Tube - Condenser Mounted - Improved A/C System Performance in Hot Climates and City Driving	MT0628	(Cont'd)		
(Cont'd)			(Cont'd)		

Prices shown are meant to be a guide. All prices are subject to change without notice. Call for current price and availability.

**CHEVROLET (Con't)**

**CHEVROLET (Con't)**

**EXPANSION VALVE ORIFICE TUBES (Cont'd)**

**EXPANSION VALVE ORIFICE TUBES (Cont'd)**

Year	Application	Part No.
<b>SILVERADO 3500 (Cont'd)</b>		
06	5.3L 8Cyl V (325) Variable Orifice Tube - Condenser Mounted - Improved A/C System Performance in Hot Climates and City Driving	MT0628
06-01	6.0L 8Cyl V (364) Black; Optional Auto Adj Orifice Tube 3411303	MT0098-1
	6.0L 8Cyl V (364) Variable Orifice Tube - Condenser Mounted - Improved A/C System Performance in Hot Climates and City Driving	MT0628
	6.6L 8Cyl V (400) Variable Orifice Tube - Condenser Mounted - Improved A/C System Performance in Hot Climates and City Driving	MT0628
	8.1L 8Cyl V (496) Black; Optional Auto Adj Orifice Tube 3411303	MT0098-1
	8.1L 8Cyl V (496) Variable Orifice Tube - Condenser Mounted - Improved A/C System Performance in Hot Climates and City Driving	MT0628
05-04	5.3L 8Cyl V (323) Black; Optional Auto Adj Orifice Tube 3411303	MT0098-1
	5.3L 8Cyl V (323) Variable Orifice Tube - Condenser Mounted - Improved A/C System Performance in Hot Climates and City Driving	MT0628
<b>SILVERADO 3500 HD</b>		
07	6.6L 8Cyl V (400) Black; Optional Auto Adj Orifice Tube 3411303	MT0098-1
<b>SSR</b>		
03	5.3L 8Cyl V (325)	MT0097-1
<b>SUBURBAN 1500</b>		
06	5.3L 8Cyl V (325) Variable Orifice Tube - Condenser Mounted - Improved A/C System Performance in Hot Climates and City Driving	MT0628
	5.3L 8Cyl V (325), Front First Design - 13mm - Black and White - Main/Front Unit - Liquid Line Mounted; Optional Auto Adj Orifice Tube 3411303	MT0098-1
	6.0L 8Cyl V (364) Variable Orifice Tube - Condenser Mounted - Improved A/C System Performance in Hot Climates and City Driving	MT0628
	6.0L 8Cyl V (364), Front First Design - 13mm - Black and White - Main/Front Unit - Liquid Line Mounted; Optional Auto Adj Orifice Tube 3411303	MT0098-1
05-04	5.3L 8Cyl V (323) 1ST DESIGN; 13mm; Black/White	MT0098-1
05-00	5.3L 8Cyl V (323) Variable Orifice Tube - Condenser Mounted - Improved A/C System Performance in Hot Climates and City Driving	MT0628
05-04	5.3L 8Cyl V (323), Front Front; Black; Optional Auto Adj Orifice Tube 3411303	MT0098-1
03	5.3L 8Cyl V (323) Black; Optional Auto Adj Orifice Tube 3411303	MT0098-1
02-00	5.3L 8Cyl V (323) 1ST DESIGN; 13mm; Black/White	MT0098-1
	5.3L 8Cyl V (323), Front Front; Black; Optional Auto Adj Orifice Tube 3411303	MT0098-1
02-95	5.7L 8Cyl V (350) Variable Orifice Tube - Condenser Mounted - Improved A/C System Performance in Hot Climates and City Driving	MT0628
95	5.7L 8Cyl V (350), Front Front; Black; Optional Auto Adj Orifice Tube 3411303	MT0098-1
<b>SUBURBAN 2500</b>		
07	6.0L 8Cyl V (364) Black; Optional Auto Adj Orifice Tube 3411303	MT0098-1
06-04	6.0L 8Cyl V (364) 1ST DESIGN; 13mm; Black/White	MT0098-1
06-00	6.0L 8Cyl V (364) Variable Orifice Tube - Condenser Mounted - Improved A/C System Performance in Hot Climates and City Driving	MT0628
06-04	6.0L 8Cyl V (364), Front Front; Black; Optional Auto Adj Orifice Tube 3411303	MT0098-1
	8.1L 8Cyl V (496) 1ST DESIGN; 13mm; Black/White	MT0098-1
06-01	8.1L 8Cyl V (496) Variable Orifice Tube - Condenser Mounted - Improved A/C System Performance in Hot Climates and City Driving	MT0628
06-04	8.1L 8Cyl V (496), Front Front; Black; Optional Auto Adj Orifice Tube 3411303	MT0098-1
03	6.0L 8Cyl V (364) Black; Optional Auto Adj Orifice Tube 3411303	MT0098-1
(Cont'd)		

Year	Application	Part No.
<b>SUBURBAN 2500 (Cont'd)</b>		
03	8.1L 8Cyl V (496) Black; Optional Auto Adj Orifice Tube 3411303	MT0098-1
02-00	6.0L 8Cyl V (364) 1ST DESIGN; 13mm; Black/White	MT0098-1
	6.0L 8Cyl V (364), Front Front; Black; Optional Auto Adj Orifice Tube 3411303	MT0098-1
02-01	8.1L 8Cyl V (496) 1ST DESIGN; 13mm; Black/White	MT0098-1
	8.1L 8Cyl V (496), Front Front; Black; Optional Auto Adj Orifice Tube 3411303	MT0098-1
<b>TAHOE</b>		
06-00	4.8L 8Cyl V (294) Variable Orifice Tube - Condenser Mounted - Improved A/C System Performance in Hot Climates and City Driving	MT0628
06	4.8L 8Cyl V (294), Front First Design - 13mm - Black and White - Main/Front Unit - Liquid Line Mounted; Optional Auto Adj Orifice Tube 3411303	MT0098-1
	5.3L 8Cyl V (325) Variable Orifice Tube - Condenser Mounted - Improved A/C System Performance in Hot Climates and City Driving	MT0628
	5.3L 8Cyl V (325), Front First Design - 13mm - Black and White - Main/Front Unit - Liquid Line Mounted; Optional Auto Adj Orifice Tube 3411303	MT0098-1
05-01	4.8L 8Cyl V (294) 1ST DESIGN; 13mm; Black/White; W/O REAR A/C	MT0098-1
	4.8L 8Cyl V (294), Front Front; Black; Optional Auto Adj Orifice Tube 3411303	MT0098-1
	5.3L 8Cyl V (323) 1ST DESIGN; 13mm; Black/White; W/O REAR A/C	MT0098-1
05-00	5.3L 8Cyl V (323) Variable Orifice Tube - Condenser Mounted - Improved A/C System Performance in Hot Climates and City Driving	MT0628
05-01	5.3L 8Cyl V (323), Front Front; Black; Optional Auto Adj Orifice Tube 3411303	MT0098-1
00	4.8L 8Cyl V (294) Black	MT0098-1
	5.3L 8Cyl V (323) Black	MT0098-1
00-96	5.7L 8Cyl V (350) Black	MT0098-1
00-95	5.7L 8Cyl V (350) Variable Orifice Tube - Condenser Mounted - Improved A/C System Performance in Hot Climates and City Driving	MT0628
99-96	6.5L 8Cyl V (395) Black	MT0098-1
99-95	6.5L 8Cyl V (395) Variable Orifice Tube - Condenser Mounted - Improved A/C System Performance in Hot Climates and City Driving	MT0628
95	5.7L 8Cyl V (350), Front Black; Optional Auto Adj Orifice Tube 3411303	MT0098-1
	6.5L 8Cyl V (395), Front Black; Optional Auto Adj Orifice Tube 3411303	MT0098-1
<b>TRAILBLAZER</b>		
09-02	4.2L 6Cyl L (256) EVAPORATOR MOUNTING	MT0097-1
09-06	6.0L 8Cyl V (364) EVAPORATOR MOUNTING	MT0097-1
08-06	5.3L 8Cyl V (325) EVAPORATOR MOUNTING	MT0097-1
<b>VENTURE</b>		
05-01	3.4L 6Cyl V (207)	MT0099-1
00	3.4L 6Cyl V (207) Brown	MT0099-1
99-97	3.4L 6Cyl V (207) EVAPORATOR MOUNTING	MT0097-1
<b>EXPANSION VALVES</b>		
Year	Application	Part No.
<b>COBALT</b>		
10-05	2.0L 4Cyl L (122) OS	31-31098
	2.2L 4Cyl L (134) OS	31-31098
08-06	2.4L 4Cyl L (145) OS	31-31098

Prices shown are meant to be a guide. All prices are subject to change without notice. Call for current price and availability.

CHEVROLET (Con't)			CHEVROLET (Con't)		
EXPANSION VALVES (Cont'd)			HOSE ASSEMBLIES MANIFOLD (Cont'd)		
Year	Application	Part No.	Year	Application	Part No.
<b>HHR</b>			<b>C1500 (Cont'd)</b>		
11-06	2.2L 4Cyl L (134) OS	31-31098	99-96	GAS, 5.7L 8Cyl V (350)	34-63394
10-08	2.0L 4Cyl L (122) OS	31-31098	<b>C1500 SUBURBAN</b>		
10-06	2.4L 4Cyl L (145) OS	31-31098	99-96	GAS, 5.7L 8Cyl V (350) w/o Rear A/C	34-63394
<b>IMPALA</b>			<b>C2500</b>		
13-12	3.6L 6Cyl V (217) OS	31-31098	00-96	GAS, 5.7L 8Cyl V (350)	34-63394
11-06	3.5L 6Cyl V (213) OS	31-31098	<b>C2500 SUBURBAN</b>		
10-06	3.9L 6Cyl V (237) OS	31-31098	99-96	GAS, 5.7L 8Cyl V (350) w/o Rear A/C	34-63394
09-06	5.3L 8Cyl V (325) OS	31-31098	<b>TAHOE</b>		
05-04	3.4L 6Cyl V (207) OS 3.8L 6Cyl V (231) OS	31-31098	99-96	5.7L 8Cyl V (350) W/SINGLE A/C	34-63394
<b>MALIBU</b>			<b>SENSOR REFRIGERANT TEMPERATURE</b>		
12-08	2.4L 4Cyl L (145) OS 3.6L 6Cyl V (217) OS	31-31098	<b>Year Application Part No.</b>		
10-09	3.5L 6Cyl V (213) OS	31-31098	<b>VOLT</b>		
08-04	2.2L 4Cyl L (134) OS	31-31098	12-11	1.4L 4Cyl L (85)	MT1323
07-06	3.9L 6Cyl V (237) OS Maxx LS, 3.5L 6Cyl V (213) OS	31-31098	<b>SWITCH CLUTCH CYCLE</b>		
05-04	3.5L 6Cyl V (213) OS	31-31098	<b>Year Application Part No.</b>		
<b>MONTE CARLO</b>			<b>ASTRO</b>		
07-06	3.5L 6Cyl V (213) OS	31-31098	02-96	4.3L 6Cyl V (262) Clutch Cycling Switch; Accumulator Mounted	MT0968
06	5.3L 8Cyl V (325) OS	31-31098	<b>AVALANCHE</b>		
05-04	3.9L 6Cyl V (237) OS 3.4L 6Cyl V (207) OS 3.8L 6Cyl V (231) OS	31-31098	09-07	5.3L 8Cyl V (325) Clutch Cycling Switch; Accumulator Mounted	MT0968
<b>SILVERADO 1500</b>			09-08	6.0L 8Cyl V (364) Clutch Cycling Switch; Accumulator Mounted	MT0968
11	6.0L 8Cyl V (364) OS	31-31098	<b>AVALANCHE 1500</b>		
<b>SILVERADO 2500 HD</b>			06	5.3L 8Cyl V (325) Clutch Cycling Switch; Accumulator Mounted	MT0968
12-11	6.0L 8Cyl V (364) OS	31-31098	05-02	5.3L 8Cyl V (323) Clutch Cycling Switch; Accumulator Mounted	MT0968
<b>SILVERADO 3500 HD</b>			<b>AVALANCHE 2500</b>		
12-11	6.0L 8Cyl V (364) OS	31-31098	05-02	8.1L 8Cyl V (496) Clutch Cycling Switch; Accumulator Mounted	MT0968
<b>SUBURBAN 1500</b>			<b>BLAZER</b>		
13-12	Rear OS	31-31098	05-95	4.3L 6Cyl V (262)	MT0205
11	5.3L 8Cyl V (325), Rear OS	31-31098	<b>C35</b>		
10-07	5.3L 8Cyl V (325), Rear Rear A/C; OS	31-31098	00-95	5.7L 8Cyl V (350)	MT0205
09-07	6.0L 8Cyl V (364), Rear Rear A/C; OS	31-31098	<b>C1500</b>		
<b>SUBURBAN 2500</b>			99-95	5.0L 8Cyl V (305)	MT0205
13-11	6.0L 8Cyl V (364), Rear OS	31-31098		5.7L 8Cyl V (350)	MT0205
10-07	6.0L 8Cyl V (364), Rear Rear A/C; OS	31-31098	98-95	4.3L 6Cyl V (262) 6.5L 8Cyl V (395)	MT0205
<b>HOSE ASSEMBLIES MANIFOLD</b>			<b>C1500 SUBURBAN</b>		
<b>Year Application Part No.</b>			99-95	5.7L 8Cyl V (350) 6.5L 8Cyl V (395)	MT0205 MT0205
<b>C1500</b>			<b>C2500</b>		
99-96	GAS, 5.0L 8Cyl V (305)	34-63394	00-95	5.7L 8Cyl V (350) 6.5L 8Cyl V (395) 7.4L 8Cyl V (454)	MT0205 MT0205 MT0205
(Cont'd)			98-95	5.0L 8Cyl V (305)	MT0205
			95	4.3L 6Cyl V (262)	MT0205
			<b>C2500 SUBURBAN</b>		
			99-95	5.7L 8Cyl V (350) 6.5L 8Cyl V (395) 7.4L 8Cyl V (454)	MT0205 MT0205 MT0205
			<b>C3500</b>		
			02	N/A	MT0205
			01	8.1L 8Cyl V (496) Clutch Cycling Switch; Accumulator Mounted	MT0968
			00-95	5.7L 8Cyl V (350) 6.5L 8Cyl V (395) 7.4L 8Cyl V (454)	MT0205 MT0205 MT0205
			<b>CAPRICE</b>		
			96-95	4.3L 8Cyl V (265)	MT0206
			(Cont'd)		

Prices shown are meant to be a guide. All prices are subject to change without notice. Call for current price and availability.



**CHEVROLET (Con't)**

**CHEVROLET (Con't)**

SWITCH CLUTCH CYCLE (Cont'd)		
Year	Application	Part No.
<b>CAPRICE (Cont'd)</b>		
96-95	5.7L 8Cyl V (350)	MT0206
<b>CARGO VAN</b>		
99-97	5.7L 8Cyl V (350)	MT0205
<b>EXPRESS 1500</b>		
07-00	4.3L 6Cyl V (262) Clutch Cycling Switch; Accumulator Mounted	MT0968
07-06	5.3L 8Cyl V (325) Clutch Cycling Switch; Accumulator Mounted	MT0968
05-03	5.3L 8Cyl V (323) Clutch Cycling Switch; Accumulator Mounted	MT0968
02-00	5.0L 8Cyl V (305) Clutch Cycling Switch; Accumulator Mounted	MT0968
	5.7L 8Cyl V (350) Clutch Cycling Switch; Accumulator Mounted	MT0968
99-97	4.3L 6Cyl V (262)	MT0205
	5.0L 8Cyl V (305)	MT0205
	5.7L 8Cyl V (350)	MT0205
96	5.0L 8Cyl V (305) w/ Pin Connectors	MT0205
	5.7L 8Cyl V (350) w/ Pin Connectors	MT0205
<b>EXPRESS 2500</b>		
07-05	4.8L 8Cyl V (294) Clutch Cycling Switch; Accumulator Mounted	MT0968
	6.0L 8Cyl V (364) Clutch Cycling Switch; Accumulator Mounted	MT0968
07-06	6.6L 8Cyl V (400) Clutch Cycling Switch; Accumulator Mounted	MT0968
05	4.3L 6Cyl V (262) Clutch Cycling Switch; Accumulator Mounted	MT0968
	5.3L 8Cyl V (323) Clutch Cycling Switch; Accumulator Mounted	MT0968
03-00	4.3L 6Cyl V (262) Clutch Cycling Switch; Accumulator Mounted	MT0968
03	4.8L 8Cyl V (294) Clutch Cycling Switch; Accumulator Mounted	MT0968
	5.3L 8Cyl V (323) Clutch Cycling Switch; Accumulator Mounted	MT0968
	6.0L 8Cyl V (364) Clutch Cycling Switch; Accumulator Mounted	MT0968
02-00	5.0L 8Cyl V (305) Clutch Cycling Switch; Accumulator Mounted	MT0968
	5.7L 8Cyl V (350) Clutch Cycling Switch; Accumulator Mounted	MT0968
	6.5L 8Cyl V (395) Clutch Cycling Switch; Accumulator Mounted	MT0968
99-97	4.3L 6Cyl V (262)	MT0205
	5.0L 8Cyl V (305)	MT0205
	5.7L 8Cyl V (350)	MT0205
	6.5L 8Cyl V (395)	MT0205
96	4.3L 6Cyl V (262) w/ Pin Connectors	MT0205
	5.0L 8Cyl V (305) w/ Pin Connectors	MT0205
	5.7L 8Cyl V (350) w/ Pin Connectors	MT0205
	6.5L 8Cyl V (395) w/ Pin Connectors	MT0205
<b>EXPRESS 3500</b>		
07-05	4.8L 8Cyl V (294) Clutch Cycling Switch; Accumulator Mounted	MT0968
07-06	5.3L 8Cyl V (325) Clutch Cycling Switch; Accumulator Mounted	MT0968
07-03	6.0L 8Cyl V (364) Clutch Cycling Switch; Accumulator Mounted	MT0968
07-06	6.6L 8Cyl V (400) Clutch Cycling Switch; Accumulator Mounted	MT0968
05-03	5.3L 8Cyl V (323) Clutch Cycling Switch; Accumulator Mounted	MT0968
02-00	5.7L 8Cyl V (350) Clutch Cycling Switch; Accumulator Mounted	MT0968
	6.5L 8Cyl V (395) Clutch Cycling Switch; Accumulator Mounted	MT0968
02-01	8.1L 8Cyl V (496) Clutch Cycling Switch; Accumulator Mounted	MT0968
(Cont'd)		

SWITCH CLUTCH CYCLE (Cont'd)		
Year	Application	Part No.
<b>EXPRESS 3500 (Cont'd)</b>		
00	7.4L 8Cyl V (454) Clutch Cycling Switch; Accumulator Mounted	MT0968
99-97	5.7L 8Cyl V (350)	MT0205
	6.5L 8Cyl V (395)	MT0205
	7.4L 8Cyl V (454)	MT0205
96	5.7L 8Cyl V (350) w/ Pin Connectors	MT0205
	6.5L 8Cyl V (395) w/ Pin Connectors	MT0205
	7.4L 8Cyl V (454) w/ Pin Connectors	MT0205
<b>G10</b>		
95	4.3L 6Cyl V (262)	MT0206
	5.0L 8Cyl V (305)	MT0206
<b>G20</b>		
95	4.3L 6Cyl V (262)	MT0206
	5.0L 8Cyl V (305)	MT0206
	5.7L 8Cyl V (350)	MT0206
	6.5L 8Cyl V (395)	MT0206
<b>G30</b>		
96-95	4.3L 6Cyl V (262)	MT0206
	5.7L 8Cyl V (350)	MT0206
	6.5L 8Cyl V (395)	MT0206
	7.4L 8Cyl V (454)	MT0206
<b>IMPALA</b>		
96-95	5.7L 8Cyl V (350)	MT0206
<b>K1500</b>		
99-95	5.0L 8Cyl V (305)	MT0205
	5.7L 8Cyl V (350)	MT0205
98-95	4.3L 6Cyl V (262)	MT0205
	6.5L 8Cyl V (395)	MT0205
<b>K1500 SUBURBAN</b>		
99-95	5.7L 8Cyl V (350)	MT0205
	6.5L 8Cyl V (395)	MT0205
<b>K2500</b>		
00-95	5.7L 8Cyl V (350)	MT0205
	6.5L 8Cyl V (395)	MT0205
	7.4L 8Cyl V (454)	MT0205
98-97	5.0L 8Cyl V (305)	MT0205
95	4.3L 6Cyl V (262)	MT0205
	5.0L 8Cyl V (305)	MT0205
<b>K2500 SUBURBAN</b>		
99-95	5.7L 8Cyl V (350)	MT0205
	6.5L 8Cyl V (395)	MT0205
	7.4L 8Cyl V (454)	MT0205
<b>K3500</b>		
00-95	5.7L 8Cyl V (350)	MT0205
	6.5L 8Cyl V (395)	MT0205
	7.4L 8Cyl V (454)	MT0205
<b>LUMINA APV</b>		
96	3.4L 6Cyl V (207)	MT0205
95	3.1L 6Cyl V (189)	MT0205
	3.8L 6Cyl V (231)	MT0205
<b>LUMINA VAN</b>		
95	3.8L 6Cyl V (232)	MT0205
<b>P30</b>		
99-97	4.3L 6Cyl V (262)	MT0206
	5.7L 8Cyl V (350)	MT0206
	6.5L 8Cyl V (395)	MT0206
	7.4L 8Cyl V (454)	MT0206
95	4.3L 6Cyl V (262)	MT0206
	5.7L 8Cyl V (350)	MT0206
	6.5L 8Cyl V (395)	MT0206
	7.4L 8Cyl V (454)	MT0206
<b>S10</b>		
04-95	4.3L 6Cyl V (262)	MT0205
00-95	2.2L 4Cyl L (134)	MT0205

Prices shown are meant to be a guide. All prices are subject to change without notice. Call for current price and availability.

**CHEVROLET (Con't)**

**CHEVROLET (Con't)**

SWITCH CLUTCH CYCLE (Cont'd)		
Year	Application	Part No.
<b>SILVERADO 1500</b>		
09-05	4.3L 6Cyl V (262) Clutch Cycling Switch; Accumulator Mounted	MT0968
	4.8L 8Cyl V (294) Clutch Cycling Switch; Accumulator Mounted	MT0968
09-08	5.3L 8Cyl V (325) Clutch Cycling Switch; Accumulator Mounted	MT0968
	6.0L 8Cyl V (364) Clutch Cycling Switch; Accumulator Mounted	MT0968
09	6.2L 8Cyl V (376) Clutch Cycling Switch; Accumulator Mounted	MT0968
06	5.3L 8Cyl V (325) Clutch Cycling Switch; Accumulator Mounted	MT0968
06-05	6.0L 8Cyl V (364) Clutch Cycling Switch; Accumulator Mounted	MT0968
05	5.3L 8Cyl V (323) Clutch Cycling Switch; Accumulator Mounted	MT0968
04	4.3L 6Cyl V (262) 4.8L 8Cyl V (294) 5.3L 8Cyl V (323)	MT0968 MT0968 MT0968
03-99	4.3L 6Cyl V (262) Clutch Cycling Switch; Accumulator Mounted 4.8L 8Cyl V (294) Clutch Cycling Switch; Accumulator Mounted 5.3L 8Cyl V (323) Clutch Cycling Switch; Accumulator Mounted	MT0968 MT0968 MT0968 MT0968
03	6.0L 8Cyl V (364) Clutch Cycling Switch; Accumulator Mounted	MT0968
<b>SILVERADO 1500 HD</b>		
07-05	6.0L 8Cyl V (364) Clutch Cycling Switch; Accumulator Mounted	MT0968
03-01	6.0L 8Cyl V (364) Clutch Cycling Switch; Accumulator Mounted	MT0968
<b>SILVERADO 2500</b>		
09-06	5.3L 8Cyl V (325) Clutch Cycling Switch; Accumulator Mounted	MT0968
04-99	5.3L 8Cyl V (323) Clutch Cycling Switch; Accumulator Mounted 6.0L 8Cyl V (364) Clutch Cycling Switch; Accumulator Mounted	MT0968 MT0968 MT0968
<b>SILVERADO 2500 HD</b>		
09-01	6.0L 8Cyl V (364) Clutch Cycling Switch; Accumulator Mounted 6.6L 8Cyl V (400) Clutch Cycling Switch; Accumulator Mounted	MT0968 MT0968
07-01	8.1L 8Cyl V (496) Clutch Cycling Switch; Accumulator Mounted	MT0968
<b>SILVERADO 3500</b>		
09-06	5.3L 8Cyl V (325) Clutch Cycling Switch; Accumulator Mounted	MT0968
07-01	6.0L 8Cyl V (364) Clutch Cycling Switch; Accumulator Mounted 6.6L 8Cyl V (400) Clutch Cycling Switch; Accumulator Mounted 8.1L 8Cyl V (496) Clutch Cycling Switch; Accumulator Mounted	MT0968 MT0968 MT0968 MT0968
05-04	5.3L 8Cyl V (323) Clutch Cycling Switch; Accumulator Mounted	MT0968
<b>SILVERADO 3500 HD</b>		
09-07	6.0L 8Cyl V (364) Clutch Cycling Switch; Accumulator Mounted 6.6L 8Cyl V (400) Clutch Cycling Switch; Accumulator Mounted	MT0968 MT0968
<b>SSR</b>		
06	6.0L 8Cyl V (364)	MT0968
05	6.0L 8Cyl V (364) Clutch Cycling Switch; Accumulator Mounted	MT0968
04-03	5.3L 8Cyl V (325) Clutch Cycling Switch; Accumulator Mounted	MT0968
<b>SUBURBAN 1500</b>		
06	5.3L 8Cyl V (325) 6.0L 8Cyl V (364)	MT0968 MT0968
05-03	5.3L 8Cyl V (323)	MT0968
02-01	5.3L 8Cyl V (323) Clutch Cycling Switch; Accumulator Mounted	MT0968
(Cont'd)		

SWITCH CLUTCH CYCLE (Cont'd)		
Year	Application	Part No.
<b>SUBURBAN 1500 (Cont'd)</b>		
00	5.3L 8Cyl V (323)	MT0968
97-95	5.7L 8Cyl V (350)	MT0205
<b>SUBURBAN 2500</b>		
06-03	6.0L 8Cyl V (364) 8.1L 8Cyl V (496)	MT0968 MT0968
02-00	6.0L 8Cyl V (364) Clutch Cycling Switch; Accumulator Mounted	MT0968
02-01	8.1L 8Cyl V (496) Clutch Cycling Switch; Accumulator Mounted	MT0968
<b>TAHOE</b>		
09	6.2L 8Cyl V (376) Clutch Cycling Switch	MT0968
08	6.2L 8Cyl V (378) Clutch Cycling Switch	MT0968
06-03	4.8L 8Cyl V (294)	MT0968
06	5.3L 8Cyl V (325)	MT0968
05-03	5.3L 8Cyl V (323)	MT0968
02-01	4.8L 8Cyl V (294) Clutch Cycling Switch; Accumulator Mounted 5.3L 8Cyl V (323) Clutch Cycling Switch; Accumulator Mounted	MT0968 MT0968 MT0968
99-95	5.7L 8Cyl V (350)	MT0205
98-95	6.5L 8Cyl V (395)	MT0205
<b>TRAILBLAZER</b>		
09-03	4.2L 6Cyl L (256) Clutch Cycling Switch; Accumulator Mounted	MT0968
09-06	6.0L 8Cyl V (364) Clutch Cycling Switch; Accumulator Mounted	MT0968
08	5.3L 8Cyl V (325) Clutch Cycling Switch; Accumulator Mounted	MT0968
06	5.3L 8Cyl V (325) Clutch Cycling Switch; Accumulator Mounted	MT0968
02	4.2L 6Cyl L (256)	MT0968
<b>SWITCH PRESSURE TRANSDUCER</b>		
Year	Application	Part No.
<b>ASTRA</b>		
08-07	1.8L 4Cyl L (110) 3 Terminals	MT1339
08-04	2.0L 4Cyl L (122) 3 Terminals	MT1339
03-00	1.8L 4Cyl L (110) 3 Terminals	MT1339
02-01	2.2L 4Cyl L (134) 3 Terminals	MT1339
<b>AVALANCHE</b>		
13-07	5.3L 8Cyl V (325) 3 Terminals	MT1247
09-07	6.0L 8Cyl V (364) 3 Terminals	MT1247
<b>AVALANCHE 1500</b>		
06	5.3L 8Cyl V (325) 3 Terminals	MT1247
05-02	5.3L 8Cyl V (323) 3 Terminals	MT1247
<b>AVALANCHE 2500</b>		
06-02	8.1L 8Cyl V (496) 3 Terminals	MT1247
<b>AVEO</b>		
13-04	1.6L 4Cyl L (98) 3 Terminals	MT1339
<b>AVEO5</b>		
11-06	1.6L 4Cyl L (98) 3 Terminals	MT1339
<b>BERETTA</b>		
96-95	2.2L 4Cyl L (134) 3 Terminals 3.1L 6Cyl V (189) 3 Terminals	MT1339 MT1339
<b>CAMARO</b>		
13-10	3.6L 6Cyl V (217) 3 Terminals	MT1247
(Cont'd)		

Prices shown are meant to be a guide. All prices are subject to change without notice. Call for current price and availability.

<b>CHEVROLET (Con't)</b>			<b>CHEVROLET (Con't)</b>		
<b>SWITCH PRESSURE TRANSDUCER (Cont'd)</b>			<b>SWITCH PRESSURE TRANSDUCER (Cont'd)</b>		
<b>Year</b>	<b>Application</b>	<b>Part No.</b>	<b>Year</b>	<b>Application</b>	<b>Part No.</b>
<b>CAMARO (Cont'd)</b>			<b>CRUZE</b>		
13-10	6.2L 8Cyl V (376) 3 Terminals	MT1247	13-11	1.4L 4Cyl L (83) 3 Terminals	MT1247
02-95	3.8L 6Cyl V (231) 3 Terminals	MT1339	13-10	1.8L 4Cyl L (110) 3 Terminals	MT1247
	5.7L 8Cyl V (350) 3 Terminals	MT1339	<b>EQUINOX</b>		
95	3.4L 6Cyl V (207) 3 Terminals	MT1339	12-10	2.4L 4Cyl L (145) 3 Terminals	MT1247
<b>CAPRICE</b>				3.0L 6Cyl V (182) 3 Terminals	MT1247
13-12	3.6L 6Cyl V (217) 3 Terminals	MT1247	09-06	3.4L 6Cyl V (207) 3 Terminals	MT1339
13-11	6.0L 8Cyl V (364) 3 Terminals	MT1247	09-08	3.6L 6Cyl V (217) 3 Terminals	MT1339
96-95	4.3L 8Cyl V (265) 3 Terminals	MT1339	08-06	3.4L 6Cyl V (209) 3 Terminals	MT1339
	5.7L 8Cyl V (350) 3 Terminals	MT1339	05	3.4L 6Cyl V (207) 3 Terminals	MT1247
<b>CAVALIER</b>				3.4L 6Cyl V (209) 3 Terminals	MT1247
05-02	2.2L 4Cyl L (134) 3 Terminals	MT1247	<b>EXPRESS 1500</b>		
02-95	2.4L 4Cyl L (146) 3 Terminals	MT1339	13-08	4.3L 6Cyl V (262) 3 Terminals	MT1247
01-95	2.2L 4Cyl L (134) 3 Terminals	MT1339		5.3L 8Cyl V (325) 3 Terminals	MT1247
95	2.3L 4Cyl L (138) 3 Terminals	MT1339	<b>EXPRESS 2500</b>		
<b>CHEYENNE 2500</b>			13-08	4.8L 8Cyl V (294) 3 Terminals	MT1247
09-07	5.3L 8Cyl V (325) 3 Terminals	MT1247		6.0L 8Cyl V (364) 3 Terminals	MT1247
<b>CLASSIC</b>				6.6L 8Cyl V (400) 3 Terminals	MT1247
05-04	2.2L 4Cyl L (134) 3 Terminals	MT1247	<b>EXPRESS 3500</b>		
<b>COBALT</b>			13-08	4.8L 8Cyl V (294) 3 Terminals	MT1247
10-05	2.0L 4Cyl L (122) 3 Terminals	MT1247		6.0L 8Cyl V (364) 3 Terminals	MT1247
	2.2L 4Cyl L (134) 3 Terminals	MT1247		6.6L 8Cyl V (400) 3 Terminals	MT1247
08-06	2.4L 4Cyl L (145) 3 Terminals	MT1247	08	5.3L 8Cyl V (325) 3 Terminals	MT1247
<b>COLORADO</b>			<b>EXPRESS 4500</b>		
12-07	2.9L 4Cyl L (178) 3 Terminals	MT1247	13-09	6.0L 8Cyl V (364) 3 Terminals	MT1247
	3.7L 5Cyl L (223) 3 Terminals	MT1247		6.6L 8Cyl V (400) 3 Terminals	MT1247
12-09	5.3L 8Cyl V (325) 3 Terminals	MT1247	<b>EXPRESS CARGO</b>		
06-04	2.8L 4Cyl L (169) 3 Terminals	MT1247	13-10	4.3L 6Cyl V (262) 3 Terminals	MT1247
	3.5L 5Cyl L (211) 3 Terminals	MT1247		6.0L 8Cyl V (364) 3 Terminals	MT1247
<b>CORSA</b>			<b>EXPRESS PASAJEROS</b>		
08-03	1.8L 4Cyl L (110) 3 Terminals	MT1339	13-10	5.3L 8Cyl V (325) 3 Terminals	MT1247
02	1.4L 4Cyl L (85) 3 Terminals	MT1339		6.0L 8Cyl V (364) 3 Terminals	MT1247
<b>CORSICA</b>			<b>HHR</b>		
96-95	2.2L 4Cyl L (134) 3 Terminals	MT1339	11-06	2.2L 4Cyl L (134) 3 Terminals	MT1247
	3.1L 6Cyl V (189) 3 Terminals	MT1339		2.4L 4Cyl L (145) 3 Terminals	MT1247
<b>CORVETTE</b>			10-08	2.0L 4Cyl L (122) 3 Terminals	MT1247
13-08	6.2L 8Cyl V (376) 3 Terminals	MT1247	<b>IMPALA</b>		
13-12	6.2L 8Cyl V (378) 3 Terminals	MT1247	13-12	3.6L 6Cyl V (217) 3 Terminals	MT1247
13-06	7.0L 8Cyl V (427) 3 Terminals	MT1247	11-06	3.5L 6Cyl V (213) 3 Terminals	MT1247
07-05	6.0L 8Cyl V (364) 3 Terminals	MT1247		3.9L 6Cyl V (237) 3 Terminals	MT1247
04-95	5.7L 8Cyl V (350) 3 Terminals	MT1339	09-06	5.3L 8Cyl V (325) 3 Terminals	MT1247
			05-03	3.4L 6Cyl V (207) 3 Terminals	MT1247
			(Cont'd)		

Prices shown are meant to be a guide. All prices are subject to change without notice. Call for current price and availability.

CHEVROLET (Con't)			CHEVROLET (Con't)		
SWITCH PRESSURE TRANSDUCER (Cont'd)			SWITCH PRESSURE TRANSDUCER (Cont'd)		
Year	Application	Part No.	Year	Application	Part No.
<b>IMPALA (Cont'd)</b>			<b>SILVERADO 1500 (Cont'd)</b>		
05-03	3.8L 6Cyl V (231) 3 Terminals	MT1247	13-03	6.0L 8Cyl V (364) 3 Terminals	MT1247
02-00	3.4L 6Cyl V (207) 3 Terminals	MT1339	13-09	6.2L 8Cyl V (376) 3 Terminals	MT1247
	3.8L 6Cyl V (231) 3 Terminals	MT1339	05-03	5.3L 8Cyl V (323) 3 Terminals	MT1247
96-95	5.7L 8Cyl V (350) 3 Terminals	MT1339	<b>SILVERADO 1500 HD</b>		
<b>LUMINA</b>			07-05	6.0L 8Cyl V (364) 3 Terminals	MT1247
01-95	3.1L 6Cyl V (189) 3 Terminals	MT1339	03	6.0L 8Cyl V (364) 3 Terminals	MT1247
99-98	3.8L 6Cyl V (231) 3 Terminals	MT1339	<b>SILVERADO 2500</b>		
97-95	3.4L 6Cyl V (207) 3 Terminals	MT1339	13-11	4.8L 8Cyl V (293) 3 Terminals	MT1247
<b>LUMINA APV</b>				5.3L 8Cyl V (323) 3 Terminals	MT1247
96	3.4L 6Cyl V (207) 3 Terminals	MT1339	09-06	5.3L 8Cyl V (325) 3 Terminals	MT1247
<b>MALIBU</b>			05-03	5.3L 8Cyl V (323) 3 Terminals	MT1247
13	2.0L 4Cyl L (122) 3 Terminals	MT1247	04-03	6.0L 8Cyl V (364) 3 Terminals	MT1247
13-08	2.4L 4Cyl L (145) 3 Terminals	MT1247	<b>SILVERADO 2500 HD</b>		
13	2.5L 4Cyl L (153) 3 Terminals	MT1247	13-03	6.0L 8Cyl V (364) 3 Terminals	MT1247
12-08	3.6L 6Cyl V (217) 3 Terminals	MT1247		6.6L 8Cyl V (400) 3 Terminals	MT1247
10-04	3.5L 6Cyl V (213) 3 Terminals	MT1247	07-03	8.1L 8Cyl V (496) 3 Terminals	MT1247
08-04	2.2L 4Cyl L (134) 3 Terminals	MT1247	<b>SILVERADO 3500</b>		
07-06	3.9L 6Cyl V (237) 3 Terminals	MT1247	13	6.0L 8Cyl V (364) 3 Terminals	MT1247
03-02	3.1L 6Cyl V (189) 3 Terminals	MT1247	12-11	6.0L 8Cyl V (366) 3 Terminals	MT1247
	3.1L 6Cyl V (191) 3 Terminals	MT1247	09-06	5.3L 8Cyl V (325) 3 Terminals	MT1247
01-97	3.1L 6Cyl V (189) 3 Terminals	MT1339	07-03	6.0L 8Cyl V (364) 3 Terminals	MT1247
	3.1L 6Cyl V (191) 3 Terminals	MT1339		6.6L 8Cyl V (400) 3 Terminals	MT1247
99-97	2.4L 4Cyl L (146) 3 Terminals	MT1339		8.1L 8Cyl V (496) 3 Terminals	MT1247
<b>MONTE CARLO</b>			05-04	5.3L 8Cyl V (323) 3 Terminals	MT1247
07-06	3.5L 6Cyl V (213) 3 Terminals	MT1247	<b>SILVERADO 3500 HD</b>		
	5.3L 8Cyl V (325) 3 Terminals	MT1247	13-07	6.0L 8Cyl V (364) 3 Terminals	MT1247
06	3.9L 6Cyl V (237) 3 Terminals	MT1247		6.6L 8Cyl V (400) 3 Terminals	MT1247
05-03	3.4L 6Cyl V (207) 3 Terminals	MT1247	<b>SONIC</b>		
	3.8L 6Cyl V (231) 3 Terminals	MT1247	13-12	1.4L 4Cyl L (83) 3 Terminals	MT1247
02-00	3.4L 6Cyl V (207) 3 Terminals	MT1339		1.8L 4Cyl L (110) 3 Terminals	MT1247
02-98	3.8L 6Cyl V (231) 3 Terminals	MT1339	12	1.6L 4Cyl L (98) 3 Terminals	MT1247
99-95	3.1L 6Cyl V (189) 3 Terminals	MT1339	<b>SSR</b>		
97-95	3.4L 6Cyl V (207) 3 Terminals	MT1339	06-05	6.0L 8Cyl V (364) 3 Terminals	MT1339
<b>S10</b>			04-03	5.3L 8Cyl V (325) 3 Terminals	MT1339
04-96	4.3L 6Cyl V (262) 3 Terminals	MT1247	<b>SUBURBAN 1500</b>		
03-96	2.2L 4Cyl L (134) 3 Terminals	MT1339	13-06	5.3L 8Cyl V (325) 3 Terminals	MT1247
<b>SILVERADO 1500</b>			13	6.0L 8Cyl V (364) 3 Terminals	MT1247
13-03	4.3L 6Cyl V (262) 3 Terminals	MT1247	12-10	6.0L 8Cyl V (366) 3 Terminals	MT1247
	4.8L 8Cyl V (294) 3 Terminals	MT1247	09-06	6.0L 8Cyl V (364) 3 Terminals	MT1247
13-06	5.3L 8Cyl V (325) 3 Terminals	MT1247	05-03	5.3L 8Cyl V (323) 3 Terminals	MT1247
(Cont'd)					

Prices shown are meant to be a guide. All prices are subject to change without notice. Call for current price and availability.

<b>CHEVROLET (Con't)</b>			<b>CHRYSLER (Con't)</b>		
<b>SWITCH PRESSURE TRANSDUCER (Cont'd)</b>			<b>COMPRESSORS (Cont'd)</b>		
<b>Year</b>	<b>Application</b>	<b>Part No.</b>	<b>Year</b>	<b>Application</b>	<b>Part No.</b>
<b>SUBURBAN 2500</b>			<b>TOWN &amp; COUNTRY (Cont'd)</b>		
13-03	6.0L 8Cyl V (364) 3 Terminals	MT1247	00	3.3L 6Cyl V (201) w/ Clutch; New	20-11524-AM
09	6.0L 8Cyl V (366) 3 Terminals	MT1247		3.8L 6Cyl V (230) w/ Clutch; New	20-11524-AM
06-03	8.1L 8Cyl V (496) 3 Terminals	MT1247	<b>VOYAGER</b>		
<b>TAHOE</b>			07-04	3.3L 6Cyl V (201) 10S20H; PV6; w/ or w/o Rear AC	20-11524-AM
13-06	5.3L 8Cyl V (325) 3 Terminals	MT1247	03-01	3.3L 6Cyl V (201) 10S20H; PV6; w/ or w/o Rear AC; New	20-11524-AM
13-08	6.0L 8Cyl V (364) 3 Terminals	MT1247	<b>EVAPORATOR CORES</b>		
09-03	4.8L 8Cyl V (294) 3 Terminals	MT1247	<b>Year</b>	<b>Application</b>	<b>Part No.</b>
09	6.2L 8Cyl V (376) 3 Terminals	MT1247	<b>200</b>		
08	6.2L 8Cyl V (378) 3 Terminals	MT1247	14-13	N/A	27-33463
05-03	5.3L 8Cyl V (323) 3 Terminals	MT1247	12-11	2.4L 4Cyl L (144) 3.6L 6Cyl V (220)	27-33463 27-33463
<b>TRAILBLAZER</b>			<b>300</b>		
09-02	4.2L 6Cyl L (256) 3 Terminals	MT1339	10-05	2.7L 6Cyl V (167) 3.5L 6Cyl V (215)	27-33416 27-33416
09-06	6.0L 8Cyl V (364) 3 Terminals	MT1339	<b>GRAND VOYAGER</b>		
08-06	5.3L 8Cyl V (325) 3 Terminals	MT1339	02-01	3.8L 6Cyl V (230), Front	27-33282
<b>TRAVERSE</b>			<b>PACIFICA</b>		
13-09	3.6L 6Cyl V (217) 3 Terminals	MT1247	08	3.8L 6Cyl V (230), Front Plate/Fin;; Front Plate/Fin;	27-33282
12-11	3.6L 6Cyl V (220) 3 Terminals	MT1247	08-04	N/A	27-33282
<b>UPLANDER</b>			07-05	3.8L 6Cyl V (230), Front Plate/Fin;	27-33282
09-06	3.9L 6Cyl V (237) 3 Terminals	MT1247	07	4.0L 6Cyl V (241), Front Plate/Fin;	27-33282
06-05	3.5L 6Cyl V (213) 3 Terminals	MT1247	06-05	3.5L 6Cyl V (215), Front Plate/Fin;	27-33282
	3.5L 6Cyl V (214) 3 Terminals	MT1247	04	3.5L 6Cyl V (215), Front Plate/Fin;; Front Plate/Fin;	27-33282
<b>VENTURE</b>			<b>SEBRING</b>		
05-03	3.4L 6Cyl V (207) 3 Terminals	MT1247	10-07	2.4L 4Cyl L (144) 2.7L 6Cyl V (167) 3.5L 6Cyl V (215)	27-33463 27-33463 27-33463
02-97	3.4L 6Cyl V (207) 3 Terminals	MT1339	<b>TOWN &amp; COUNTRY</b>		
01-97	3.4L 6Cyl V (204) 3 Terminals	MT1339	14	Front	27-33495
<b>CHRYSLER</b>			13	3.6L 6Cyl V (220), Front	27-33495
<b>ACCUMULATOR &amp; RECEIVER DRIERS</b>			12	3.6L 6Cyl V (220), Front Plate/Fin;; Front Plate/Fin;	27-33495
<b>Year</b>	<b>Application</b>	<b>Part No.</b>	11	3.6L 6Cyl V (220), Front Plate/Fin;	27-33495
<b>NEON</b>			10-08	3.6L 6Cyl V (220), Rear	27-33495
02	2.0L 4Cyl L (122)	37-23527	10-09	3.3L 6Cyl V (201), Front	27-33495
<b>SEBRING</b>			10-08	3.3L 6Cyl V (201), Rear	27-33496
99-96	2.0L 4Cyl L (122), Coupe Coupe	37-13997	10-08	3.8L 6Cyl V (231), Front	27-33495
95	2.0L 4Cyl L (122), Coupe	37-13997	08	3.8L 6Cyl V (231), Rear	27-33496
<b>AUTOMOTIVE KITS</b>			07-01	4.0L 6Cyl V (241), Front	27-33495
<b>Year</b>	<b>Application</b>	<b>Part No.</b>	07-06	4.0L 6Cyl V (241), Rear	27-33496
<b>TOWN &amp; COUNTRY</b>			07-01	3.8L 6Cyl V (230), Front	27-33495
05-01	3.8L 6Cyl V (230) NEW: O	96-25274	07-06	3.8L 6Cyl V (230), Rear	27-33496
<b>COMPRESSORS</b>			<b>VOYAGER</b>		
<b>Year</b>	<b>Application</b>	<b>Part No.</b>	08	3.3L 6Cyl V (201), Front	27-33495
<b>GRAND VOYAGER</b>				3.3L 6Cyl V (201), Rear	27-33496
02-01	3.8L 6Cyl V (230) 10S20H; PV6; w/ or w/o Rear AC	20-11524-AM	07-04	3.3L 6Cyl V (201), Front	27-33282
<b>TOWN &amp; COUNTRY</b>			07-06	3.3L 6Cyl V (201), Rear	27-33493
07-01	3.3L 6Cyl V (201) 10S20H; PV6; w/ or w/o Rear AC; New	20-11524-AM	03-01	2.4L 4Cyl L (148) Front A/C; Plate Fin	27-33282
(Cont'd)	3.8L 6Cyl V (230) 10S20H; PV6; w/ or w/o Rear AC; New	20-11524-AM		3.3L 6Cyl V (201) Front A/C; Plate Fin	27-33282

Prices shown are meant to be a guide. All prices are subject to change without notice. Call for current price and availability.

CHRYSLER (Con't)			CHRYSLER (Con't)		
HOSE ASSEMBLIES LIQUID LINE			SWITCH PRESSURE TRANSDUCER (Cont'd)		
Year	Application	Part No.	Year	Application	Part No.
<b>PT CRUISER</b>			<b>300M</b>		
10	2.4L 4Cyl L (148), Naturally Aspirated(Eng Asp) w/o Turbo	34-64253	04-98	3.5L 6Cyl V (215)	MT0614
09-05	2.4L 4Cyl L (148), Naturally Aspirated(Eng Asp) Orifice Tube in Liquid Line	34-64253	<b>ASPEN</b>		
04-03	2.4L 4Cyl L (148), Naturally Aspirated(Eng Asp) From 12/01/03: Orifice in Liquid Line	34-64253	09-07	4.7L 8Cyl V (285)	MT0614
<b>RELAY COMPRESSOR CONTROL</b>			<b>CHRYSLER R/T</b>		
<b>Year Application Part No.</b>			97	2.4L 4Cyl L (148)	MT0614
<b>300M</b>			<b>CIRRUS</b>		
04-99	3.5L 6Cyl V (215) Located in Power Distribution Box	MT0225	10-08	2.4L 4Cyl L (144)	MT0614
<b>CIRRUS</b>			08-07	3.5L 6Cyl V (215)	MT0614
00	2.0L 4Cyl L (122) Located in Power Distribution Box	MT0225	06-01	2.7L 6Cyl V (167)	MT0614
	2.4L 4Cyl L (148) Located in Power Distribution Box	MT0225	00	2.0L 4Cyl L (122)	MT0614
00-95	2.5L 6Cyl V (152) Located in Power Distribution Box	MT0225	00-97	2.4L 4Cyl L (148)	MT0614
97-95	2.4L 4Cyl L (148) Located in Power Distribution Box	MT0225		2.5L 6Cyl V (152)	MT0614
<b>CONCORDE</b>			96-95	2.4L 4Cyl L (148) Requires New Connector Change	MT0614
04-98	2.7L 6Cyl V (167) Located in Power Distribution Box	MT0225		2.5L 6Cyl V (152) Requires New Connector Change	MT0614
04-02	3.5L 6Cyl V (215) Located in Power Distribution Box	MT0225	<b>CONCORDE</b>		
01-98	3.2L 6Cyl V (197) Located in Power Distribution Box	MT0225	04-98	2.7L 6Cyl V (167)	MT0614
97	3.5L 6Cyl V (215) Located in Power Distribution Box	MT0225	04-02	3.5L 6Cyl V (215)	MT0614
<b>INTREPID</b>			01-98	3.2L 6Cyl V (197)	MT0614
04-98	2.7L 6Cyl V (167) Located in Power Distribution Box	MT0225	97	3.5L 6Cyl V (215)	MT0614
04-02	3.5L 6Cyl V (215) Located in Power Distribution Box	MT0225	96-95	3.3L 6Cyl V (201) Requires New Connector Change	MT0614
01-98	3.2L 6Cyl V (197) Located in Power Distribution Box	MT0225		3.5L 6Cyl V (215) Requires New Connector Change	MT0614
97	3.3L 6Cyl V (201) Located in Power Distribution Box	MT0225	<b>GRAND VOYAGER</b>		
	3.5L 6Cyl V (215) Located in Power Distribution Box	MT0225	02-95	3.8L 6Cyl V (230)	MT0614
<b>LHS</b>			00	3.0L 6Cyl V (181)	MT0614
01-99	3.5L 6Cyl V (215) Located in Power Distribution Box	MT0225		3.3L 6Cyl V (201)	MT0614
97	3.5L 6Cyl V (215) Located in Power Distribution Box	MT0225	<b>INTREPID</b>		
<b>SEBRING</b>			04-98	2.7L 6Cyl V (167)	MT0614
06	2.4L 4Cyl L (148)	MT0225	04-00	3.5L 6Cyl V (215)	MT0614
	2.7L 6Cyl V (167)	MT0225	01-98	3.2L 6Cyl V (197)	MT0614
05-01	2.4L 4Cyl L (148), Convertible	MT0225	97	3.3L 6Cyl V (201)	MT0614
	2.4L 4Cyl L (148), Sedan	MT0225		3.5L 6Cyl V (215)	MT0614
	2.4L 4Cyl L (2351), Convertible	MT0225	96-95	3.3L 6Cyl V (201) Requires New Connector Change	MT0614
	2.4L 4Cyl L (2351), Sedan	MT0225		3.5L 6Cyl V (215) Requires New Connector Change	MT0614
	2.7L 6Cyl V (167), Convertible	MT0225	<b>LHS</b>		
	2.7L 6Cyl V (167), Sedan	MT0225	01-99	3.5L 6Cyl V (215)	MT0614
00-96	2.5L 6Cyl V (152), Convertible	MT0225	97	3.5L 6Cyl V (215)	MT0614
98-96	2.4L 4Cyl L (148), Convertible	MT0225	96-95	3.5L 6Cyl V (215) Requires New Connector Change	MT0614
<b>SWITCH CLUTCH CYCLE</b>			<b>NEW YORKER</b>		
<b>Year Application Part No.</b>			96-95	3.5L 6Cyl V (215) Requires New Connector Change	MT0614
<b>PT CRUISER</b>			<b>PACIFICA</b>		
07-01	2.4L 4Cyl L (148) Clutch Cycling Switch: Accumulator Mounted	MT1191	08-05	3.8L 6Cyl V (230)	MT0614
<b>SWITCH PRESSURE TRANSDUCER</b>			08-07	4.0L 6Cyl V (241)	MT0614
<b>Year Application Part No.</b>			06-04	3.5L 6Cyl V (215)	MT0614
<b>300</b>			<b>SEBRING</b>		
12-11	3.6L 6Cyl V (220)	MT0614	10-08	2.4L 4Cyl L (144)	MT0614
10-05	2.7L 6Cyl V (167)	MT0614		2.7L 6Cyl V (167)	MT0614
	3.5L 6Cyl V (215)	MT0614	10-07	3.5L 6Cyl V (215)	MT0614
	5.7L 8Cyl V (345)	MT0614	07	2.4L 4Cyl L (144), Sedan	MT0614
	6.1L 8Cyl V (370)	MT0614		2.7L 6Cyl V (167), Sedan	MT0614
			06-01	2.4L 4Cyl L (148), Convertible	MT0614
				2.7L 6Cyl V (167), Convertible	MT0614
			05-01	2.4L 4Cyl L (148), Sedan	MT0614
				2.4L 4Cyl L (2351), Convertible	MT0614
				2.4L 4Cyl L (2351), Sedan	MT0614
				2.7L 6Cyl V (167), Sedan	MT0614
				3.0L 6Cyl V (181)	MT0614
			00-97	2.5L 6Cyl V (152), Convertible	MT0614
			98-97	2.4L 4Cyl L (148), Convertible	MT0614
			96	2.4L 4Cyl L (148), Convertible Requires New Connector Change	MT0614

Prices shown are meant to be a guide. All prices are subject to change without notice. Call for current price and availability.

CHRYSLER (Con't)			DODGE (Con't)		
<b>SWITCH PRESSURE TRANSDUCER (Cont'd)</b>			<b>AUTOMOTIVE KITS</b>		
Year	Application	Part No.	Year	Application	Part No.
<b>SEBRING (Cont'd)</b>			<b>GRAND CARAVAN</b>		
96	2.5L 6Cyl V (152), Convertible Requires New Connector Change	MT0614	05-01	3.8L 6Cyl V (230) NEW: O	96-25274
<b>STRATUS</b>			<b>COMPRESSORS</b>		
97-96	2.4L 4Cyl L (148)	MT0614	<b>CARAVAN</b>		
95	2.4L 4Cyl L (146)	MT0614	07-01	3.3L 6Cyl V (201) 10S20H; PV6; w/ or w/o Rear AC	20-11524-AM
<b>TOWN &amp; COUNTRY</b>			<b>GRAND CARAVAN</b>		
12-11	3.6L 6Cyl V (220)	MT0614	07-01	3.3L 6Cyl V (201) 10S20H; PV6; w/ or w/o Rear AC	20-11524-AM
10-97	3.3L 6Cyl V (201)	MT0614		3.8L 6Cyl V (230) 10S20H; PV6; w/ or w/o Rear AC	20-11524-AM
10-09	3.8L 6Cyl V (231)	MT0614	<b>NITRO</b>		
10-08	4.0L 6Cyl V (241)	MT0614	08-07	3.7L 6Cyl V (226) HS18; PV6; New	20-22036-AM
08-97	3.8L 6Cyl V (230)	MT0614	<b>CONDENSERS</b>		
96	3.3L 6Cyl V (201) Requires New Connector Change	MT0614	<b>Year Application Part No.</b>		
96-95	3.8L 6Cyl V (230) Requires New Connector Change	MT0614	<b>SPRINTER 2500</b>		
<b>VOYAGER</b>			06-04	2.7L 5Cyl L (165) Standard Duty Cooling	24-31247
08-95	3.3L 6Cyl V (201)	MT0614	03	2.7L 5Cyl L (165)	24-31247
03-00	2.4L 4Cyl L (148)	MT0614	<b>SPRINTER 3500</b>		
00	3.0L 6Cyl V (181)	MT0614	06-04	2.7L 5Cyl L (165) Standard Duty Cooling	24-31247
<b>DODGE</b>			03	2.7L 5Cyl L (165)	24-31247
<b>ACCUMULATOR &amp; RECEIVER DRIERS</b>			<b>EVAPORATOR CORES</b>		
Year	Application	Part No.	Year	Application	Part No.
<b>AVENGER</b>			<b>AVENGER</b>		
98-96	2.0L 4Cyl L (122) New	37-13997	14-13	N/A	27-33463
<b>DAKOTA</b>			12-08	2.4L 4Cyl L (144)	27-33463
10-09	3.7L 6Cyl V (226) 3" Diameter; 1/4 Male Sw Port; w/ Pop Off Valve	37-10872-AM	12-11	3.6L 6Cyl V (220)	27-33463
	4.7L 8Cyl V (285) 3" Diameter; 1/4 Male Sw Port; w/ Pop Off Valve	37-10872-AM	10-08	2.7L 6Cyl V (167) 3.5L 6Cyl V (215)	27-33463
<b>NEON</b>			<b>CALIBER</b>		
02	2.0L 4Cyl L (122)	37-23527	09-07	1.8L 4Cyl L (110) 2.0L 4Cyl L (122) 2.4L 4Cyl L (144)	27-33463 27-33463 27-33463
<b>RAM 1500</b>			<b>CARAVAN</b>		
09-05	3.7L 6Cyl V (226) 4.7L 8Cyl V (285) 5.7L 8Cyl V (345)	37-23557 37-23557 37-23557	07	2.4L 4Cyl L (148) 3.3L 6Cyl V (201)	27-33493 27-33493
06-05	8.3L 10Cyl V (505)	37-23557	06-01	2.4L 4Cyl L (148) Front A/C; Plate Fin	27-33282
<b>RAM 2500</b>			06	2.4L 4Cyl L (148) Rear A/C; Plate Fin	27-33493
09-05	5.7L 8Cyl V (345) 5.9L 6Cyl L (359) 5.9L 6Cyl L (359) 5.9L 8Cyl V (360) 8.0L 10Cyl V (488)	37-23557 37-23557 37-23557 37-23557 37-23557	06-01	3.3L 6Cyl V (201) Front A/C; Plate Fin	27-33282
<b>RAM 3500</b>			06	3.3L 6Cyl V (201) Rear A/C; Plate Fin	27-33493
09-05	5.7L 8Cyl V (345) 5.9L 6Cyl L (359)	37-23557 37-23557	<b>CHALLENGER</b>		
<b>RAM 4000</b>			10-09	3.5L 6Cyl V (215) 5.7L 8Cyl V (345) 5.7L 8Cyl V (348)	27-33416 27-33416 27-33416
06-05	5.9L 6Cyl L (359)	37-23557	10-08	6.1L 8Cyl V (370)	27-33416
05	5.7L 8Cyl V (345)	37-23557	<b>CHARGER</b>		
<b>RAM 4500</b>			10-06	2.7L 6Cyl V (167) 3.5L 6Cyl V (215) 5.7L 8Cyl V (345) 6.1L 8Cyl V (370)	27-33416 27-33416 27-33416 27-33416
09-08	6.7L 6Cyl L (408)	37-23557	<b>DAKOTA</b>		
<b>RAM 5500</b>			08	3.7L 6Cyl V (226) OEM #: 68004242AA 4.7L 8Cyl V (285) OEM #: 68004242AA	27-33761 27-33761
09-08	6.7L 6Cyl L (408)	37-23557	<b>GRAND CARAVAN</b>		
<b>VIPER</b>			14	Front	27-33495
08	8.4L 10Cyl V (512) 7 In Tall w/ Dowell Hole To Center 8.4L 10Cyl V (515) 7 In Tall w/ Dowell Hole To Center	37-13997 37-13997	13-11	3.6L 6Cyl V (220), Front	27-33495
06-03	8.3L 10Cyl V (505) 7 In Tall w/ Dowell Hole To Center	37-13997	11	3.6L 6Cyl V (220), Rear	27-33496
02-01	8.0L 10Cyl V (488) 7 In Tall w/ Dowell Hole To Center	37-13997	<b>(Cont'd)</b>		
00-98	8.0L 10Cyl V (488)	37-13997			
97-95	8.0L 10Cyl V (488) 7 In Tall w/ Dowell Hole To Center	37-13997			

Prices shown are meant to be a guide. All prices are subject to change without notice. Call for current price and availability.

DODGE (Con't)			DODGE (Con't)		
EVAPORATOR CORES (Cont'd)			EVAPORATOR CORES (Cont'd)		
Year	Application	Part No.	Year	Application	Part No.
<b>GRAND CARAVAN (Cont'd)</b>			<b>RAM 1500 (Cont'd)</b>		
10-08	3.3L 6Cyl V (201), Front	27-33495	98-95	5.9L 8Cyl V (360), Front	
	3.3L 6Cyl V (201), Rear	27-33496		PLATE FIN	27-33205
10-09	3.8L 6Cyl V (231), Front	27-33495	<b>RAM 2500</b>		
	3.8L 6Cyl V (231), Rear	27-33496	10	5.7L 8Cyl V (345)	27-33768
10-08	4.0L 6Cyl V (241), Front	27-33495		6.7L 6Cyl L (408)	27-33768
	4.0L 6Cyl V (241), Rear	27-33496	09	5.7L 8Cyl V (345)	
08	3.8L 6Cyl V (230), Front	27-33495		Verify OEM #; Replaces OEM #: 68004242AA	27-33761
	3.8L 6Cyl V (230), Rear	27-33496		5.7L 8Cyl V (345)	
07-01	3.3L 6Cyl V (201)			Verify OEM #; Replaces OEM #: 68048899AA	27-33768
	Front A/C; Plate Fin	27-33282	09-07	5.7L 8Cyl V (345), Front	
07-06	3.3L 6Cyl V (201)			PLATE FIN	27-33761
	Rear A/C; Plate Fin	27-33493		5.9L 6Cyl L (359), Front	
07-01	3.8L 6Cyl V (230)			PLATE FIN	27-33761
	Front A/C; Plate Fin	27-33282	09	6.7L 6Cyl L (408)	
07-06	3.8L 6Cyl V (230)			Verify OEM #; Replaces OEM #: 68004242AA	27-33761
	Rear A/C; Plate Fin	27-33493		6.7L 6Cyl L (408)	
<b>MAGNUM</b>				Verify OEM #; Replaces OEM #: 68048899AA	27-33768
08-05	2.7L 6Cyl V (167)	27-33416	09-07	6.7L 6Cyl L (408), Front	
	3.5L 6Cyl V (215)	27-33416		PLATE FIN	27-33761
	5.7L 8Cyl V (345)	27-33416	08-07	5.7L 8Cyl V (345)	
08-06	6.1L 8Cyl V (370)	27-33416		OEM #: 68004242AA	27-33761
<b>NITRO</b>				5.9L 6Cyl L (359)	
10-07	3.7L 6Cyl V (226), RWD	27-33497		OEM #: 68004242AA	27-33761
	4.0L 6Cyl V (241), RWD	27-33497		6.7L 6Cyl L (408)	
<b>RAM 1500</b>				OEM #: 68004242AA	27-33761
10-09	3.7L 6Cyl V (226)	27-33768	06-03	5.7L 8Cyl V (345)	
	4.7L 8Cyl V (285)	27-33768	06-02	5.9L 6Cyl L (359)	27-33387
	5.7L 8Cyl V (345)	27-33768	03	8.0L 10Cyl V (488)	27-33387
08-07	3.7L 6Cyl V (226)		02-96	5.9L 6Cyl L (359)	27-33205
	OEM #: 68004242AA	27-33761	02	5.9L 6Cyl L (359)	
	3.7L 6Cyl V (226), Front			New Body Style; OEM #s; 5073970AA; 5073970AB; 5140726AA	27-33387
	PLATE FIN	27-33761		5.9L 6Cyl L (359)	
	4.7L 8Cyl V (285)			Old Body Style; Check Picture	27-33205
	OEM #: 68004242AA	27-33761	02-96	5.9L 8Cyl V (360)	27-33205
	4.7L 8Cyl V (285), Front		02	5.9L 8Cyl V (360)	27-33387
	PLATE FIN	27-33761		8.0L 10Cyl V (488)	
	5.7L 8Cyl V (345)			AM	27-33387
	OEM #: 68004242AA	27-33761		8.0L 10Cyl V (488)	
	5.7L 8Cyl V (345), Front			NEW	27-33205
	PLATE FIN	27-33761	01-96	8.0L 10Cyl V (488)	27-33205
06-04	3.7L 6Cyl V (226)		96	5.2L 8Cyl V (318)	27-33205
	OEM #s; 5073970AA; 5073970AB; 5140726AA	27-33387	<b>RAM 3500</b>		
	3.7L 6Cyl V (226), Front		10	6.7L 6Cyl L (408)	27-33768
	PLATE FIN	27-33387	09	5.7L 8Cyl V (345)	
	4.7L 8Cyl V (285)			Verify OEM #; Replaces OEM #: 68004242AA	27-33761
	OEM #s; 5073970AA; 5073970AB; 5140726AA	27-33387		5.7L 8Cyl V (345)	
06-05	4.7L 8Cyl V (285), Front			Verify OEM #; Replaces OEM #: 68048899AA	27-33768
	PLATE FIN	27-33387	09-07	5.7L 8Cyl V (345), Front	
06-04	5.7L 8Cyl V (345)			PLATE FIN	27-33761
	OEM #s; 5073970AA; 5073970AB; 5140726AA	27-33387		5.9L 6Cyl L (359), Front	
	5.7L 8Cyl V (345), Front			PLATE FIN	27-33761
	PLATE FIN	27-33387	09	6.7L 6Cyl L (408)	
	8.3L 10Cyl V (505)			Verify OEM #; Replaces OEM #: 68004242AA	27-33761
	OEM #s; 5073970AA; 5073970AB; 5140726AA	27-33387		6.7L 6Cyl L (408)	
	8.3L 10Cyl V (505), Front			Verify OEM #; Replaces OEM #: 68048899AA	27-33768
	PLATE FIN	27-33387	09-07	6.7L 6Cyl L (408), Front	
04	4.7L 8Cyl V (287)			PLATE FIN	27-33761
	OEM #s; 5073970AA; 5073970AB; 5140726AA	27-33387	08-07	5.7L 8Cyl V (345)	
	4.7L 8Cyl V (287), Front			OEM #: 68004242AA	27-33761
	PLATE FIN	27-33387		5.9L 6Cyl L (359)	
03-02	3.7L 6Cyl V (226)	27-33387		OEM #: 68004242AA	27-33761
03	4.7L 8Cyl V (285)	27-33387		6.7L 6Cyl L (408)	
03-02	4.7L 8Cyl V (287)	27-33387		Verify OEM #; 68004242AA	27-33761
03	5.7L 8Cyl V (345)	27-33387	06-03	5.7L 8Cyl V (345)	27-33387
03-02	5.9L 8Cyl V (360)	27-33387	06-02	5.9L 6Cyl L (359)	27-33387
01-95	3.9L 6Cyl V (239)	27-33205	03	8.0L 10Cyl V (488)	27-33387
	5.2L 8Cyl V (318)	27-33205	02-95	5.9L 6Cyl L (359)	27-33205
	5.9L 8Cyl V (360)	27-33205	02	5.9L 6Cyl L (359)	
	3.9L 6Cyl V (238)	27-33205		New Body Style; OEM #s; 5073970AA; 5073970AB; 5140726AA	27-33387
99	3.9L 6Cyl V (239), Front			5.9L 6Cyl L (359)	
	PLATE FIN	27-33205		Old Body Style; Check Picture	27-33205
98-95	5.2L 8Cyl V (318), Front		02-95	5.9L 8Cyl V (360)	27-33205
	PLATE FIN	27-33205	02	5.9L 8Cyl V (360)	27-33387
(Cont'd)				8.0L 10Cyl V (488)	
				AM	27-33387
			(Cont'd)		

Prices shown are meant to be a guide. All prices are subject to change without notice. Call for current price and availability.



**DODGE (Con't)**

**DODGE (Con't)**

EVAPORATOR CORES (Cont'd)		
Year	Application	Part No.
<b>RAM 3500 (Cont'd)</b>		
02	8.0L 10Cyl V (488) NEW	27-33205
01-95	5.9L 6Cyl L (359), Front PLATE/FIN	27-33205
	5.9L 8Cyl V (360), Front PLATE/FIN	27-33205
	8.0L 10Cyl V (488)	27-33205
	8.0L 10Cyl V (488), Front PLATE/FIN	27-33205
<b>RAM 4000</b>		
06-05	5.9L 6Cyl L (359) OEM #s: 5073970AA; 5073970AB; 5140726AA	27-33387
05	5.7L 8Cyl V (345) OEM #s: 5073970AA; 5073970AB; 5140726AA	27-33387
01	5.9L 8Cyl V (360)	27-33205
96-95	5.9L 8Cyl V (360)	27-33205
<b>RAM 4500</b>		
10	6.7L 6Cyl L (408)	27-33768
09	6.7L 6Cyl L (408) Verify OEM #; Replaces OEM #; 68004242AA	27-33761
	6.7L 6Cyl L (408) Verify OEM #; Replaces OEM #; 68048899AA	27-33768
08	6.7L 6Cyl L (408) OEM #; 68004242AA	27-33761
<b>RAM 5500</b>		
10	6.7L 6Cyl L (408)	27-33768
09	6.7L 6Cyl L (408) Verify OEM #; Replaces OEM #; 68004242AA	27-33761
	6.7L 6Cyl L (408) Verify OEM #; Replaces OEM #; 68048899AA	27-33768
08	6.7L 6Cyl L (408) OEM #; 68004242AA	27-33761
<b>EXPANSION VALVE ORIFICE TUBES</b>		
Year	Application	Part No.
<b>DAKOTA</b>		
04	3.7L 6Cyl V (226) Orange	MT0094-1
	3.7L 6Cyl V (226) Purple	MT0091-1
04-02	4.7L 8Cyl V (285) Orange	MT0094-1
	4.7L 8Cyl V (285) Purple	MT0091-1
03-00	3.9L 6Cyl V (239) Orange	MT0094-1
03-95	3.9L 6Cyl V (239) Purple	MT0091-1
03-00	5.9L 8Cyl V (360) Orange	MT0094-1
03-98	5.9L 8Cyl V (360) Purple	MT0091-1
02-00	2.5L 4Cyl L (153) Orange	MT0094-1
02-97	2.5L 4Cyl L (153) Purple	MT0091-1
01-00	4.7L 8Cyl V (287) Orange	MT0094-1
	4.7L 8Cyl V (287) Purple	MT0091-1
99-95	5.2L 8Cyl V (318) Purple	MT0091-1
<b>RAM 1500</b>		
08-04	3.7L 6Cyl V (226) Purple	MT0091-1
08-05	4.7L 8Cyl V (285) Purple	MT0091-1
08-04	5.7L 8Cyl V (345) Purple	MT0091-1
06-04	8.3L 10Cyl V (505) Purple	MT0091-1
04	4.7L 8Cyl V (287) Purple	MT0091-1
02	3.7L 6Cyl V (226) Purple	MT0091-1
(Cont'd)		

EXPANSION VALVE ORIFICE TUBES (Cont'd)		
Year	Application	Part No.
<b>RAM 1500 (Cont'd)</b>		
02	4.7L 8Cyl V (287) Purple	MT0091-1
	5.9L 8Cyl V (360) Purple	MT0091-1
97-95	3.9L 6Cyl V (239) Purple	MT0091-1
	5.2L 8Cyl V (318) Purple	MT0091-1
	5.9L 8Cyl V (360) Purple	MT0091-1
<b>RAM 2500</b>		
08	5.7L 8Cyl V (345) Purple	MT0091-1
08-03	5.9L 6Cyl L (359) Purple	MT0091-1
08-07	6.7L 6Cyl L (408) Purple	MT0091-1
06-03	5.7L 8Cyl V (345) Purple	MT0091-1
03-95	8.0L 10Cyl V (488) Purple	MT0091-1
02-99	5.9L 8Cyl V (360) Purple	MT0091-1
98-95	5.9L 6Cyl L (359) Purple	MT0091-1
96-95	5.2L 8Cyl V (318) Purple	MT0091-1
<b>RAM 3500</b>		
08-03	5.7L 8Cyl V (345) Purple	MT0091-1
08-01	5.9L 6Cyl L (359) Purple	MT0091-1
08-07	6.7L 6Cyl L (408) Purple	MT0091-1
03-95	8.0L 10Cyl V (488) Purple	MT0091-1
02	5.9L 8Cyl V (360) Purple	MT0091-1
00	5.9L 8Cyl V (360) Purple	MT0091-1
99-95	5.9L 6Cyl L (359) Purple	MT0091-1
<b>HOSE ASSEMBLIES LIQUID LINE</b>		
Year	Application	Part No.
<b>RAM 1500</b>		
09-04	3.7L 6Cyl V (226) w/ Orifice	34-63870
09-03	4.7L 8Cyl V (285) w/ Orifice	34-63870
09	5.7L 8Cyl V (345) W/ORIFICE TUBE	34-63870
08	5.7L 8Cyl V (345) w/ Orifice	34-63870
07	5.7L 8Cyl V (345)	34-63870
06-04	5.7L 8Cyl V (345) w/ Orifice	34-63870
	8.3L 10Cyl V (505) w/ Orifice	34-63870
04	4.7L 8Cyl V (287) w/ Orifice	34-63870
03-02	3.7L 6Cyl V (226) W/orifice tube	34-63870
	4.7L 8Cyl V (287) W/orifice tube	34-63870
03	5.7L 8Cyl V (345) W/orifice tube	34-63870
03-02	5.9L 8Cyl V (360) W/orifice tube	34-63870
96-95	5.2L 8Cyl V (318) w/ High Side Port: w/ Orifice; 55036788	34-64245
	5.9L 8Cyl V (360) w/ High Side Port: w/ Orifice; 55036788	34-64245
<b>RAM 2500</b>		
09	6.7L 6Cyl L (408) w/ Orifice	34-63870
(Cont'd)		

Prices shown are meant to be a guide. All prices are subject to change without notice. Call for current price and availability.

DODGE (Con't)			DODGE (Con't)		
HOSE ASSEMBLIES LIQUID LINE (Cont'd)			RELAY BLOWER MOTOR (Cont'd)		
Year	Application	Part No.	Year	Application	Part No.
<b>RAM 2500 (Cont'd)</b>			<b>DURANGO (Cont'd)</b>		
08-07	5.7L 8Cyl V (345) W/orifice tube	34-63870	07-01	4.7L 8Cyl V (285) Located in Power Distribution Box - Front Blower Unit	MT0225
	5.9L 6Cyl L (359) W/orifice tube	34-63870	07-04	5.7L 8Cyl V (345) Located in Power Distribution Box - Front Blower Unit	MT0225
	6.7L 6Cyl L (408) W/orifice tube	34-63870	03-01	5.9L 8Cyl V (360) Located in Power Distribution Box - Front Blower Unit	MT0225
06	5.7L 8Cyl V (345) w/ Orifice	34-63870	<b>RELAY COMPRESSOR CONTROL</b>		
	5.9L 6Cyl L (359) w/ Orifice	34-63870	<b>Year Application Part No.</b>		
05-03	5.7L 8Cyl V (345) W/orifice tube	34-63870	<b>B1500</b>		
05	5.9L 6Cyl L (359) W/orifice tube	34-63870	98-97	3.9L 6Cyl V (239) Located in Power Distribution Box	MT0225
04-03	5.9L 6Cyl L (359) w/ Orifice	34-63870		5.2L 8Cyl V (318) Located in Power Distribution Box	MT0225
03	8.0L 10Cyl V (488) w/ Orifice	34-63870	98	5.9L 8Cyl V (360) Located in Power Distribution Box	MT0225
02	5.9L 6Cyl L (359) New Body Style; w/ Orifice	34-63870	<b>B2500</b>		
	5.9L 6Cyl L (359) w/ High Side Port; Old Body Style; w/ Orifice; 55055834AB	34-64245	98-97	5.2L 8Cyl V (318) Located in Power Distribution Box	MT0225
	5.9L 8Cyl V (360) w/ Orifice	34-63870		5.9L 8Cyl V (360) Located in Power Distribution Box	MT0225
01-98	5.9L 6Cyl L (359) w/ High Side Port; w/ Orifice; 55055834AB	34-64245	97	3.9L 6Cyl V (239) Located in Power Distribution Box	MT0225
97-95	DIESEL, 5.9L 6Cyl L (359) w/ High Side Port; w/ Orifice	34-64245	<b>B3500</b>		
<b>RAM 3500</b>			98-97	5.2L 8Cyl V (318) Located in Power Distribution Box	MT0225
09-07	6.7L 6Cyl L (408) w/ Orifice	34-63870		5.9L 8Cyl V (360) Located in Power Distribution Box	MT0225
08-03	5.7L 8Cyl V (345) w/ Orifice	34-63870	<b>DAKOTA</b>		
	5.9L 6Cyl L (359) w/ Orifice	34-63870	99-97	2.5L 4Cyl L (153) Located in Power Distribution Box	MT0225
03	8.0L 10Cyl V (488) w/ Orifice	34-63870		3.9L 6Cyl V (239) Located in Power Distribution Box	MT0225
02	5.9L 6Cyl L (359) New Body Style; w/ Orifice	34-63870		5.2L 8Cyl V (318) Located in Power Distribution Box	MT0225
	5.9L 6Cyl L (359) w/ High Side Port; Old Body Style; w/ Orifice; 55055834AB	34-64245	99-98	5.9L 8Cyl V (360) Located in Power Distribution Box	MT0225
01-99	5.9L 6Cyl L (359) w/ High Side Port; w/ Orifice; 55055834AB	34-64245	<b>DURANGO</b>		
98	5.9L 6Cyl L (359) W/orifice tube	34-64245	07-04	3.7L 6Cyl V (226) Located in Power Distribution Box	MT0225
97-95	DIESEL, 5.9L 6Cyl L (359) W/orifice tube	34-64245		4.7L 8Cyl V (285) Located in Power Distribution Box	MT0225
<b>RAM 4000</b>				5.7L 8Cyl V (345) Located in Power Distribution Box	MT0225
06-05	5.9L 6Cyl L (359) w/ Orifice	34-63870	99-98	3.9L 6Cyl V (239) Located in Power Distribution Box	MT0225
05	5.7L 8Cyl V (345) w/ Orifice	34-63870		5.2L 8Cyl V (318) Located in Power Distribution Box	MT0225
96-95	5.9L 8Cyl V (360) w/ High Side Port; w/ Orifice; 55036788	34-64245		5.9L 8Cyl V (360) Located in Power Distribution Box	MT0225
<b>RAM 4500</b>			<b>INTREPID</b>		
09-08	6.7L 6Cyl L (408) w/ Orifice	34-63870	04-98	2.7L 6Cyl V (167) Located in Power Distribution Box	MT0225
<b>RAM 5500</b>			04-00	3.5L 6Cyl V (215) Located in Power Distribution Box	MT0225
09-08	6.7L 6Cyl L (408) w/ Orifice	34-63870	01-98	3.2L 6Cyl V (197) Located in Power Distribution Box	MT0225
<b>RELAY BLOWER MOTOR</b>			97	3.3L 6Cyl V (201) Located in Power Distribution Box	MT0225
Year	Application	Part No.		3.5L 6Cyl V (215) Located in Power Distribution Box	MT0225
<b>DAKOTA</b>			<b>RAM 1500</b>		
99-97	2.5L 4Cyl L (153) Located in Power Distribution Box	MT0225	02	3.7L 6Cyl V (226) Located in Power Distribution Box	MT0225
	3.9L 6Cyl V (239) Located in Power Distribution Box	MT0225		4.7L 8Cyl V (287) Located in Power Distribution Box	MT0225
99-98	5.2L 8Cyl V (318) Located in Power Distribution Box	MT0225	01-97	3.9L 6Cyl V (239) Located in Power Distribution Box	MT0225
	5.9L 8Cyl V (360) Located in Power Distribution Box	MT0225		5.2L 8Cyl V (318) Located in Power Distribution Box	MT0225
<b>DURANGO</b>				5.9L 8Cyl V (360) Located in Power Distribution Box	MT0225
07-04	3.7L 6Cyl V (226) Located in Power Distribution Box - Front Blower Unit	MT0225	99	3.9L 6Cyl V (238) Located in Power Distribution Box	MT0225
(Cont'd)					

Prices shown are meant to be a guide. All prices are subject to change without notice. Call for current price and availability.

**DODGE (Con't)**

**DODGE (Con't)**

RELAY COMPRESSOR CONTROL (Cont'd)		
Year	Application	Part No.
<b>RAM 1500 VAN</b>		
03-99	3.9L 6Cyl V (239) Located in Power Distribution Box	MT0225
03-98	5.2L 8Cyl V (318) Located in Power Distribution Box	MT0225
03-99	5.9L 8Cyl V (360) Located in Power Distribution Box	MT0225
99	3.9L 6Cyl V (238) Located in Power Distribution Box	MT0225
97	3.9L 6Cyl V (238) Located in Power Distribution Box	MT0225
<b>RAM 2500</b>		
02-97	5.9L 6Cyl L (359) Located in Power Distribution Box	MT0225
	8.0L 10Cyl V (488) Located in Power Distribution Box	MT0225
01-97	5.9L 8Cyl V (360) Located in Power Distribution Box	MT0225
<b>RAM 2500 VAN</b>		
03-97	5.2L 8Cyl V (318) Located in Power Distribution Box	MT0225
03-99	5.9L 8Cyl V (360) Located in Power Distribution Box	MT0225
01	3.9L 6Cyl V (239) Located in Power Distribution Box	MT0225
<b>RAM 3500</b>		
02-97	5.9L 6Cyl L (359) Located in Power Distribution Box	MT0225
	8.0L 10Cyl V (488) Located in Power Distribution Box	MT0225
01-97	5.9L 8Cyl V (360) Located in Power Distribution Box	MT0225
<b>RAM 3500 VAN</b>		
03-99	5.2L 8Cyl V (318) Located in Power Distribution Box	MT0225
	5.9L 8Cyl V (360) Located in Power Distribution Box	MT0225
97	5.9L 8Cyl V (360) Located in Power Distribution Box	MT0225
<b>STRATUS</b>		
06	2.4L 4Cyl L (148)	MT0225
	2.7L 6Cyl V (167)	MT0225
05-01	2.4L 4Cyl L (148), Sedan	MT0225
	2.4L 4Cyl L (2351), Sedan	MT0225
	2.7L 6Cyl V (167), Sedan	MT0225
<b>RELAY ENGINE COOLING FAN MOTOR</b>		
Year	Application	Part No.
<b>CALIBER</b>		
11-07	2.0L 4Cyl L (122) Located Power Distribution Box - Hi Speed	MT0225
	2.4L 4Cyl L (144) Located Power Distribution Box - Coolant Pump	MT0225
09-07	1.8L 4Cyl L (110) Located Power Distribution Box - Hi Speed	MT0225
<b>DAKOTA</b>		
00-97	2.5L 4Cyl L (153) Located in Power Distribution Center	MT0225
<b>DURANGO</b>		
00	4.7L 8Cyl V (285) Located In Power Distribution Box - Hi Speed	MT0225
	5.2L 8Cyl V (318) Located In Power Distribution Box - Hi Speed	MT0225
	5.9L 8Cyl V (360) Located In Power Distribution Box - Low Speed	MT0225
<b>SWITCH CLUTCH CYCLE</b>		
Year	Application	Part No.
<b>DAKOTA</b>		
96-95	2.5L 4Cyl L (153) w/ Round Connector	MT0205
	3.9L 6Cyl V (239) w/ Round Connector	MT0205
(Cont'd)		

SWITCH CLUTCH CYCLE (Cont'd)		
Year	Application	Part No.
<b>DAKOTA (Cont'd)</b>		
96-95	5.2L 8Cyl V (318) w/ Round Connector	MT0205
<b>NEON</b>		
05-02	2.0L 4Cyl L (122) Cycling Switch	MT1191
05-03	2.4L 4Cyl L (148) Cycling Switch	MT1191
<b>RAM 1500</b>		
97-95	3.9L 6Cyl V (239) w/ Round Connector	MT0205
	5.2L 8Cyl V (318) w/ Round Connector	MT0205
	5.9L 8Cyl V (360) w/ Round Connector	MT0205
<b>RAM 2500</b>		
97-95	5.9L 6Cyl L (359) w/ Round Connector	MT0205
	5.9L 8Cyl V (360) w/ Round Connector	MT0205
	8.0L 10Cyl V (488) w/ Round Connector	MT0205
96-95	5.2L 8Cyl V (318) w/ Round Connector	MT0205
<b>RAM 3500</b>		
97-95	5.9L 6Cyl L (359) w/ Round Connector	MT0205
	5.9L 8Cyl V (360) w/ Round Connector	MT0205
	8.0L 10Cyl V (488) w/ Round Connector	MT0205
<b>RAM 4000</b>		
96-95	5.9L 8Cyl V (360) w/ Round Connector	MT0205
<b>SWITCH PRESSURE TRANSDUCER</b>		
Year	Application	Part No.
<b>AVENGER</b>		
11-08	2.4L 4Cyl L (144)	MT0614
11	3.6L 6Cyl V (220)	MT0614
10-08	2.7L 6Cyl V (167)	MT0614
	3.5L 6Cyl V (215)	MT0614
00-95	2.5L 6Cyl V (152)	MT0614
99-95	2.0L 4Cyl L (122)	MT0614
<b>CALIBER</b>		
11-07	2.0L 4Cyl L (122)	MT0614
	2.4L 4Cyl L (144)	MT0614
09-07	1.8L 4Cyl L (110)	MT0614
<b>CARAVAN</b>		
07-97	2.4L 4Cyl L (148)	MT0614
	3.3L 6Cyl V (201)	MT0614
00-97	3.0L 6Cyl V (181)	MT0614
99-97	3.8L 6Cyl V (230)	MT0614
96	2.4L 4Cyl L (148) Requires New Connector Change	MT0614
	3.0L 6Cyl V (181) Requires New Connector Change	MT0614
	3.3L 6Cyl V (201) Requires New Connector Change	MT0614
	3.8L 6Cyl V (230) Requires New Connector Change	MT0614
<b>CHALLENGER</b>		
11	3.6L 6Cyl V (220)	MT0614
11-09	5.7L 8Cyl V (345)	MT0614
11	6.4L 8Cyl V (392)	MT0614
10-09	3.5L 6Cyl V (215)	MT0614
	5.7L 8Cyl V (348)	MT0614
10-08	6.1L 8Cyl V (370)	MT0614
<b>CHARGER</b>		
11	3.6L 6Cyl V (220)	MT0614
11-06	5.7L 8Cyl V (345)	MT0614
10-06	2.7L 6Cyl V (167)	MT0614
(Cont'd)		

Prices shown are meant to be a guide. All prices are subject to change without notice. Call for current price and availability.

DODGE (Con't)			DODGE (Con't)		
SWITCH PRESSURE TRANSDUCER (Cont'd)			SWITCH PRESSURE TRANSDUCER (Cont'd)		
Year	Application	Part No.	Year	Application	Part No.
<b>CHARGER (Cont'd)</b>			<b>RAM 2500 (Cont'd)</b>		
10-06	3.5L 6Cyl V (215).....	MT0614	07-03	5.7L 8Cyl V (345) Round Connector.....	MT0614
	6.1L 8Cyl V (370).....	MT0614		5.9L 6Cyl L (359) Round Connector.....	MT0614
<b>DAKOTA</b>			07	6.7L 6Cyl L (408) Round Connector.....	MT0614
10-05	3.7L 6Cyl V (226).....	MT0614	03	8.0L 10Cyl V (488) Round Connector.....	MT0614
	4.7L 8Cyl V (285).....	MT0614	<b>RAM 3500</b>		
<b>DURANGO</b>			10-08	6.7L 6Cyl V (408).....	MT0614
11	3.6L 6Cyl V (220).....	MT0614	09-08	5.7L 8Cyl V (345) 5.9L 6Cyl L (359)	MT0614
	5.7L 8Cyl V (345).....	MT0614	07-03	5.7L 8Cyl V (345) Round Connector.....	MT0614
09-04	3.7L 6Cyl V (226).....	MT0614		5.9L 6Cyl L (359) Round Connector.....	MT0614
09-00	4.7L 8Cyl V (285).....	MT0614	07	6.7L 6Cyl L (408) Round Connector.....	MT0614
09-04	5.7L 8Cyl V (345).....	MT0614	03	8.0L 10Cyl V (488) Round Connector.....	MT0614
03-00	5.9L 8Cyl V (360).....	MT0614	<b>RAM 4500</b>		
01-00	4.7L 8Cyl V (287).....	MT0614	10-08	6.7L 6Cyl L (408).....	MT0614
00	5.2L 8Cyl V (318).....	MT0614	<b>STRATUS</b>		
<b>GRAND CARAVAN</b>			06-97	2.4L 4Cyl L (148).....	MT0614
11	3.6L 6Cyl V (220).....	MT0614	06-01	2.7L 6Cyl V (167).....	MT0614
10-97	3.3L 6Cyl V (201).....	MT0614	05-01	2.4L 4Cyl L (2351) 3.0L 6Cyl V (181)	MT0614
10-09	3.8L 6Cyl V (231).....	MT0614	00-97	2.0L 4Cyl L (122) 2.5L 6Cyl V (152)	MT0614
10-08	4.0L 6Cyl V (241).....	MT0614	96-95	2.0L 4Cyl L (122) Requires New Connector Change.....	MT0614
08-97	3.8L 6Cyl V (230).....	MT0614		2.4L 4Cyl L (148) Requires New Connector Change.....	MT0614
00-97	3.0L 6Cyl V (181).....	MT0614		2.5L 6Cyl V (152) Requires New Connector Change.....	MT0614
97	2.4L 4Cyl L (148).....	MT0614	<b>EAGLE</b>		
96	2.4L 4Cyl L (148) Requires New Connector Change.....	MT0614	<b>ACCUMULATOR &amp; RECEIVER DRIERS</b>		
	3.0L 6Cyl V (181) Requires New Connector Change.....	MT0614	<b>Year</b>	<b>Application</b>	<b>Part No.</b>
	3.3L 6Cyl V (201) Requires New Connector Change.....	MT0614	<b>SUMMIT</b>		
	3.8L 6Cyl V (230) Requires New Connector Change.....	MT0614	96-95	1.5L 4Cyl L (90), Wagon.....	37-13997
<b>INTREPID</b>				1.8L 4Cyl L (112), Wagon.....	37-13997
04-98	2.7L 6Cyl V (167).....	MT0614		2.4L 4Cyl L (2351), Wagon.....	37-13997
04-00	3.5L 6Cyl V (215).....	MT0614	<b>TALON</b>		
01-98	3.2L 6Cyl V (197).....	MT0614	98-95	2.0L 4Cyl L (122), Naturally Aspirated(Eng Asp).....	37-13997
97	3.3L 6Cyl V (201).....	MT0614	<b>FORD</b>		
	3.5L 6Cyl V (215).....	MT0614	<b>ACCUMULATOR &amp; RECEIVER DRIERS</b>		
96-95	3.3L 6Cyl V (201) Requires New Connector Change.....	MT0614	<b>Year</b>	<b>Application</b>	<b>Part No.</b>
	3.5L 6Cyl V (215) Requires New Connector Change.....	MT0614	<b>E-350 SUPER DUTY</b>		
<b>JOURNEY</b>			07	6.8L 10Cyl V (415).....	37-23233-AM
10-09	2.4L 4Cyl L (144).....	MT0614	<b>EXCURSION</b>		
	3.5L 6Cyl V (215).....	MT0614	05-00	5.4L 8Cyl V (330).....	37-23233-AM
<b>MAGNUM</b>			05-03	6.0L 8Cyl V (363).....	37-23233-AM
08-05	2.7L 6Cyl V (167).....	MT0614	05-00	6.8L 10Cyl V (415).....	37-23233-AM
	3.5L 6Cyl V (215).....	MT0614	03-00	7.3L 8Cyl V (445).....	37-23233-AM
	5.7L 8Cyl V (345).....	MT0614	<b>EXPEDITION</b>		
08-06	6.1L 8Cyl V (370).....	MT0614	02-97	4.6L 8Cyl V (281) 5.4L 8Cyl V (330)	37-23334
<b>NITRO</b>					37-23334
11-07	3.7L 6Cyl V (226).....	MT0614	<b>F-150</b>		
	4.0L 6Cyl V (241).....	MT0614	04	5.4L 8Cyl V (330) NEW.....	37-23334
<b>RAM 1500</b>			03-97	4.6L 8Cyl V (281) 5.4L 8Cyl V (330)	37-23334
10-08	3.7L 6Cyl V (226).....	MT0614	98	4.2L 6Cyl V (256).....	37-23334
	4.7L 8Cyl V (285).....	MT0614	<b>F-150 HERITAGE</b>		
	5.7L 8Cyl V (345).....	MT0614	04	4.6L 8Cyl V (281) 5.4L 8Cyl V (330)	37-23334
07-03	3.7L 6Cyl V (226) Round Connector.....	MT0614			37-23334
	4.7L 8Cyl V (285) Round Connector.....	MT0614	<b>RAM 2500</b>		
	5.7L 8Cyl V (345) Round Connector.....	MT0614	10-08	5.7L 8Cyl V (345).....	MT0614
06-04	8.3L 10Cyl V (505) Round Connector.....	MT0614		5.9L 6Cyl L (359).....	MT0614
04-03	4.7L 8Cyl V (287) Round Connector.....	MT0614		6.7L 6Cyl L (408).....	MT0614
<b>RAM 2500</b>			<b>(Cont'd)</b>		

Prices shown are meant to be a guide. All prices are subject to change without notice. Call for current price and availability.

**FORD (Con't)**

**FORD (Con't)**

ACCUMULATOR & RECEIVER DRIERS (Cont'd)		
Year	Application	Part No.
<b>F-250</b>		
99-97	4.6L 8Cyl V (281) .....	37-23334
	5.4L 8Cyl V (330) .....	37-23334
<b>F-250 SUPER DUTY</b>		
10-08	5.4L 8Cyl V (330) .....	34-63643
	6.4L 8Cyl V (391) .....	34-63642
	6.8L 10Cyl V (415) .....	34-63643
07-99	5.4L 8Cyl V (330) .....	37-23233-AM
07-03	6.0L 8Cyl V (363) .....	37-23233-AM
07-99	6.8L 10Cyl V (415) .....	37-23233-AM
03-99	7.3L 8Cyl V (445) .....	37-23233-AM
<b>F-350 SUPER DUTY</b>		
10-08	5.4L 8Cyl V (330) .....	34-63643
	6.4L 8Cyl V (391) .....	34-63642
	6.8L 10Cyl V (415) .....	34-63643
<b>F-450 SUPER DUTY</b>		
10-08	6.4L 8Cyl V (391) .....	34-63642
08	6.8L 10Cyl V (415) .....	34-63643
07-03	6.0L 8Cyl V (363) .....	37-23233-AM
07-99	6.8L 10Cyl V (415) .....	37-23233-AM
03-99	7.3L 8Cyl V (445) .....	37-23233-AM
<b>F-550 SUPER DUTY</b>		
10	6.8L 10Cyl V (415) .....	34-63642
09-08	6.4L 8Cyl V (391) .....	34-63642
09	6.8L 10Cyl V (415) .....	34-63643
	6.8L 10Cyl V (415) .....	34-63642
	NEW .....	34-63642
08	6.8L 10Cyl V (415) .....	34-63643
07-03	6.0L 8Cyl V (363) .....	37-23233-AM
07-99	6.8L 10Cyl V (415) .....	37-23233-AM
03-99	7.3L 8Cyl V (445) .....	37-23233-AM
<b>FIVE HUNDRED</b>		
05	3.0L 6Cyl V (183) .....	34-63345
	Before 3/2/05 .....	
<b>FREESTYLE</b>		
05	3.0L 6Cyl V (183) .....	34-63345
	To March 05 .....	
<b>TAURUS</b>		
01-96	3.0L 6Cyl V (182) .....	34-63596
	w/ Suction Hose; Switch 1711362; Switch O-Ring 1311405; Pigtail 1711464 .....	
99-96	3.4L 8Cyl V (207) .....	34-63596
	w/ Suction Hose; Switch 1711362; Switch O-Ring 1311405; Pigtail 1711464 .....	
<b>AUTOMOTIVE KITS</b>		
Year	Application	Part No.
<b>EXPLORER</b>		
05-02	4.0L 6Cyl V (245) .....	96-24327
	NEW: O .....	
98	4.0L 6Cyl V (245) .....	96-20600
	NEW: O .....	
<b>EXPLORER SPORT TRAC</b>		
05-01	4.0L 6Cyl V (245) .....	96-20600
	NEW: O .....	
<b>F-150</b>		
01-97	4.6L 8Cyl V (281) .....	96-24287
	NEW: O .....	
	5.4L 8Cyl V (330) .....	96-24287
	NEW: O .....	
96	4.9L 6Cyl L (300) .....	96-24224
	NEW: O .....	
96-95	5.0L 8Cyl V (302) .....	96-24224
	NEW: O .....	
	5.8L 8Cyl V (351) .....	96-24224
	NEW: O .....	
<b>F-250</b>		
97	5.8L 8Cyl V (351) .....	96-24224
	NEW: O .....	
	7.5L 8Cyl V (460) .....	96-24224
	NEW: O .....	

AUTOMOTIVE KITS (Cont'd)		
Year	Application	Part No.
<b>F-350</b>		
95	5.8L 8Cyl V (351) .....	96-24224
	NEW: O .....	
<b>MUSTANG</b>		
04-96	3.8L 6Cyl V (232) .....	96-25124
	NEW: O .....	
04	3.9L 6Cyl V (238) .....	96-25124
	NEW: O .....	
<b>RANGER</b>		
08-98	3.0L 6Cyl V (182) .....	96-20600
	NEW: O .....	
00-98	4.0L 6Cyl V (245) .....	96-20600
	NEW: O .....	
<b>BLOWER MOTOR</b>		
Year	Application	Part No.
<b>E-150 ECONOLINE</b>		
96-95	4.9L 6Cyl L (300), Front .....	26-13092
	Front A/C; w/o Wheel OEM Style .....	
	5.0L 8Cyl V (302), Front .....	26-13092
	Front A/C; w/o Wheel OEM Style .....	
	5.8L 8Cyl V (351), Front .....	26-13092
	Front A/C; w/o Wheel OEM Style .....	
<b>E-150 ECONOLINE CLUB WAGON</b>		
96-95	4.9L 6Cyl L (300), Front .....	26-13092
	5.0L 8Cyl V (302), Front .....	26-13092
	5.8L 8Cyl V (351), Front .....	26-13092
<b>E-250 ECONOLINE</b>		
96-95	4.9L 6Cyl L (300), Front .....	26-13092
	Front A/C; w/o Wheel OEM Style .....	
	5.8L 8Cyl V (351), Front .....	26-13092
	Front A/C; w/o Wheel OEM Style .....	
<b>E-350 ECONOLINE</b>		
96-95	4.9L 6Cyl L (300), Front .....	26-13092
	Front A/C; w/o Wheel OEM Style .....	
	5.8L 8Cyl V (351), Front .....	26-13092
	Front A/C; w/o Wheel OEM Style .....	
	7.3L 8Cyl V (445), Front .....	26-13092
	Front A/C; w/o Wheel OEM Style .....	
	7.5L 8Cyl V (460), Front .....	26-13092
	Front A/C; w/o Wheel OEM Style .....	
<b>E-350 ECONOLINE CLUB WAGON</b>		
96-95	4.9L 6Cyl L (300), Front .....	26-13092
	Front A/C; w/o Wheel OEM Style .....	
	5.8L 8Cyl V (351), Front .....	26-13092
	Front A/C; w/o Wheel OEM Style .....	
	7.3L 8Cyl V (445), Front .....	26-13092
	Front A/C; w/o Wheel OEM Style .....	
	7.5L 8Cyl V (460), Front .....	26-13092
	Front A/C; w/o Wheel OEM Style .....	
<b>ECONOLINE SUPER DUTY</b>		
96	5.8L 8Cyl V (351), Front .....	26-13092
	w/o Wheel .....	
	7.3L 8Cyl V (445), Front .....	26-13092
	w/o Wheel .....	
	7.5L 8Cyl V (460), Front .....	26-13092
	w/o Wheel .....	
<b>COMPRESSORS</b>		
Year	Application	Part No.
<b>BRONCO</b>		
96-95	5.0L 8Cyl V (302) .....	20-10583-AM
	FS10; PV6; 5in Clutch; 12:00 Coil .....	
	5.8L 8Cyl V (351) .....	20-10583-AM
	FS10; PV6; 5in Clutch; 12:00 Coil .....	
<b>CLUB WAGON</b>		
96-95	5.8L 8Cyl V (351) .....	20-10583-AM
<b>CONTOUR</b>		
00-95	2.5L 6Cyl V (155) .....	20-10795-AM
	FS10; PV6; 5in; New .....	
<b>CROWN VICTORIA</b>		
05-03	4.6L 8Cyl V (281) .....	20-11516-AM
	w/ Clutch; New .....	
(Cont'd)		

Prices shown are meant to be a guide. All prices are subject to change without notice. Call for current price and availability.

FORD (Con't)			FORD (Con't)		
COMPRESSORS (Cont'd)			COMPRESSORS (Cont'd)		
Year	Application	Part No.	Year	Application	Part No.
<b>CROWN VICTORIA (Cont'd)</b>			<b>E-350 ECONOLINE (Cont'd)</b>		
02-95	4.6L 8Cyl V (281) FS10; PV6; 4.75in Clutch; 12:00 Coil	20-10790-AM	96-95	4.9L 6Cyl L (300) FS10; PV6; 5in Clutch; 12:00 Coil	20-10583-AM
<b>E-150</b>				5.8L 8Cyl V (351) FS10; PV6; 5in Clutch; 12:00 Coil	20-10583-AM
06-03	4.6L 8Cyl V (281) w/ Clutch; New	20-11516-AM		7.5L 8Cyl V (460) FS10; PV6; 5in Clutch; 12:00 Coil	20-10583-AM
	5.4L 8Cyl V (330) w/ Clutch; New	20-11516-AM	<b>E-350 ECONOLINE CLUB WAGON</b>		
<b>E-150 CLUB WAGON</b>			02	5.4L 8Cyl V (330) w/ Clutch; New	20-11516-AM
05-03	4.6L 8Cyl V (281) w/ Clutch; New	20-11516-AM		6.8L 10Cyl V (415) w/ Clutch; New	20-11516-AM
	5.4L 8Cyl V (330) w/ Clutch; New	20-11516-AM	96-95	4.9L 6Cyl L (300) FS10; PV6; 5in Clutch; 12:00 Coil	20-10583-AM
<b>E-150 ECONOLINE</b>				5.8L 8Cyl V (351) FS10; PV6; 5in Clutch; 12:00 Coil	20-10583-AM
02-01	4.6L 8Cyl V (281) w/ Clutch; New	20-11516-AM		7.5L 8Cyl V (460) FS10; PV6; 5in Clutch; 12:00 Coil	20-10583-AM
	5.4L 8Cyl V (330) w/ Clutch; New	20-11516-AM	<b>E-350 SUPER DUTY</b>		
96-95	4.9L 6Cyl L (300) FS10; PV6; 5in Clutch; 12:00 Coil	20-10583-AM	06	5.4L 8Cyl V (330) Scroll; PV6; New	20-11516-AM
	5.0L 8Cyl V (302) FS10; PV6; 5in Clutch; 12:00 Coil	20-10583-AM		6.8L 10Cyl V (415) Scroll; PV6; New	20-11516-AM
	5.8L 8Cyl V (351) FS10; PV6; 5in Clutch; 12:00 Coil	20-10583-AM	05-04	5.4L 8Cyl V (330) w/ Clutch; New	20-11516-AM
<b>E-150 ECONOLINE CLUB WAGON</b>				6.8L 10Cyl V (415) w/ Clutch; New	20-11516-AM
02-01	4.6L 8Cyl V (281) w/ Clutch; New	20-11516-AM	<b>E-450 SUPER DUTY</b>		
	5.4L 8Cyl V (330) w/ Clutch; New	20-11516-AM	06	5.4L 8Cyl V (330) w/ Clutch; New	20-11516-AM
96	4.9L 6Cyl L (300) New	20-10583-AM	06-03	6.8L 10Cyl V (415) w/ Clutch; New	20-11516-AM
	5.0L 8Cyl V (302) New	20-10583-AM	04-03	5.4L 8Cyl V (330) w/ Clutch; New	20-11516-AM
	5.8L 8Cyl V (351) New	20-10583-AM	<b>E-450 SUPER DUTY STRIPPED CHASSIS</b>		
95	4.9L 6Cyl L (300) FS10; PV6; 5in Clutch; 12:00 Coil	20-10583-AM	03	5.4L 8Cyl V (330) w/ Clutch; New	20-11516-AM
	5.0L 8Cyl V (302) FS10; PV6; 5in Clutch; 12:00 Coil	20-10583-AM		6.8L 10Cyl V (415) w/ Clutch; New	20-11516-AM
	5.8L 8Cyl V (351) FS10; PV6; 5in Clutch; 12:00 Coil	20-10583-AM	<b>E-550 SUPER DUTY</b>		
<b>E-250</b>			03	6.8L 10Cyl V (415) w/ Clutch; New	20-11516-AM
06-03	4.6L 8Cyl V (281) w/ Clutch; New	20-11516-AM	<b>ECONOLINE SUPER DUTY</b>		
	5.4L 8Cyl V (330) w/ Clutch; New	20-11516-AM	96	5.8L 8Cyl V (351) FS10; PV6; 5in Clutch; 12:00 Coil	20-10583-AM
<b>E-250 ECONOLINE</b>				7.5L 8Cyl V (460) FS10; PV6; 5in Clutch; 12:00 Coil	20-10583-AM
02	5.4L 8Cyl V (330) w/ Clutch; New	20-11516-AM	<b>ESCAPE</b>		
96-95	4.9L 6Cyl L (300) FS10; PV6; 5in Clutch; 12:00 Coil	20-10583-AM	07-03	3.0L 6Cyl V (183) FS10	20-10795-AM
	5.8L 8Cyl V (351) FS10; PV6; 5in Clutch; 12:00 Coil	20-10583-AM	05-01	3.0L 6Cyl V (182) FS10	20-10795-AM
<b>E-250 SUPER DUTY</b>			01	3.0L 6Cyl V (183) FS10	20-10795-AM
05-04	5.4L 8Cyl V (330) w/ Clutch; New	20-11516-AM	<b>EXCURSION</b>		
<b>E-350</b>			05-02	6.8L 10Cyl V (415) FS10; PV8; 5.12in Clutch; 12:00 Coil	20-10918-AM
03	5.4L 8Cyl V (330) w/ Clutch; New	20-11516-AM	04-02	5.4L 8Cyl V (330) FS10; PV8; 5.12in Clutch; 12:00 Coil	20-10918-AM
	6.8L 10Cyl V (415) w/ Clutch; New	20-11516-AM	03	6.0L 8Cyl V (363) FS10; PV8; 5.12in Clutch; 12:00 Coil	20-10918-AM
<b>E-350 CLUB WAGON</b>			<b>EXPEDITION</b>		
05-03	5.4L 8Cyl V (330) w/ Clutch; New	20-11516-AM	14-13	5.4L 8Cyl V (330)	20-11041-AM
05	6.8L 10Cyl V (415) w/ Clutch; New	20-11516-AM	09-07	5.4L 8Cyl V (330) FS20; PV6; 4.75" Clutch	20-11041-AM
03	6.8L 10Cyl V (415) w/ Clutch; New	20-11516-AM	06	5.4L 8Cyl V (330) New; From 12/05/05; w/ Clutch	20-11041-AM
<b>E-350 ECONOLINE</b>			<b>EXPLORER</b>		
02	5.4L 8Cyl V (330) w/ Clutch; New	20-11516-AM	05-02	4.6L 8Cyl V (281) w/ Clutch; New	20-11516-AM
	6.8L 10Cyl V (415) w/ Clutch; New	20-11516-AM	01-95	4.0L 6Cyl V (245) FS10; PV6; 5in Clutch; 3:00 Coil	20-10991-AM
(Cont'd)					

Prices shown are meant to be a guide. All prices are subject to change without notice. Call for current price and availability.

**FORD (Con't)**

**FORD (Con't)**

COMPRESSORS (Cont'd)		
Year	Application	Part No.
<b>EXPLORER SPORT TRAC</b>		
05-02	4.0L 6Cyl V (245) New	20-10991-AM
01	4.0L 6Cyl V (245) PV6; 3:00 Coil; 5in Dia; New	20-10991-AM
<b>F53</b>		
10	6.8L 10Cyl V (415) New	20-10918-AM
97-96	7.5L 8Cyl V (460) New	20-10583-AM
<b>F-150</b>		
12-11	5.0L 8Cyl V (302)	20-11041-AM
	5.0L 8Cyl V (305)	20-11041-AM
12	6.2L 8Cyl V (379)	20-11041-AM
11-10	6.2L 8Cyl V (379) FS20; PV6; 4.75" Clutch	20-11041-AM
10-09	4.2L 6Cyl V (256)	20-11041-AM
10	4.6L 8Cyl V (281) w/ Clutch; New	20-11041-AM
	5.4L 8Cyl V (330) w/ Clutch; New	20-11041-AM
09	4.6L 8Cyl V (281) New	20-11041-AM
	5.4L 8Cyl V (330) New	20-11041-AM
06	4.6L 8Cyl V (281) Before 12/05/05; FS10; PV8; 12:00 Coil; 5.12in Dia	20-10918-AM
	4.6L 8Cyl V (281) From 12/05/05; FS20; PV6	20-11041-AM
	5.4L 8Cyl V (330) From 12/05/05; FS20; PV6	20-11041-AM
05-02	4.6L 8Cyl V (281) FS10; PV8; 5.12in Clutch; 12:00 Coil	20-10918-AM
01-98	GAS; 4.6L 8Cyl V (281) FS10; PV8; New; 12:00 Coil; 5.12in Dia	20-10918-AM
	GAS; 5.4L 8Cyl V (330) FS10; PV8; New; 12:00 Coil; 5.12in Dia	20-10918-AM
97	4.6L 8Cyl V (281) FS10; PV8; 5.12in Clutch; 12:00 Coil	20-10918-AM
	5.4L 8Cyl V (330) FS10; PV8; 5.12in Clutch; 12:00 Coil	20-10918-AM
96	4.9L 6Cyl L (300) FS10; PV6; 5in Clutch; 12:00 Coil	20-10583-AM
96-95	5.0L 8Cyl V (302) FS10; PV6; 5in Clutch; 12:00 Coil	20-10583-AM
	5.8L 8Cyl V (351) FS10; PV6; 5in Clutch; 12:00 Coil	20-10583-AM
<b>F-150 HERITAGE</b>		
04	4.6L 8Cyl V (281) FS10; PV8; New	20-10918-AM
	5.4L 8Cyl V (330) FS10; PV8; New	20-10918-AM
<b>F-250</b>		
09-00	4.6L 8Cyl V (281)	20-10918-AM
01-00	5.4L 8Cyl V (330)	20-10918-AM
99-97	4.6L 8Cyl V (281) FS10; PV8; 5.12in Clutch; 12:00 Coil	20-10918-AM
	5.4L 8Cyl V (330) FS10; PV8; 5.12in Clutch; 12:00 Coil	20-10918-AM
97	5.0L 8Cyl V (302)	20-10583-AM
97-95	5.8L 8Cyl V (351) FS10; PV6; 5in Clutch; 12:00 Coil	20-10583-AM
97-96	7.5L 8Cyl V (460) FS10; PV6; 5in Clutch; 12:00 Coil	20-10583-AM
96	4.9L 6Cyl L (300) FS10; PV6; 5in Clutch; 12:00 Coil	20-10583-AM
96-95	5.0L 8Cyl V (302) FS10; PV6; 5in Clutch; 12:00 Coil	20-10583-AM
<b>F-250 SUPER DUTY</b>		
08	5.4L 8Cyl V (330) FS20; PV6; 4.75" Clutch	20-11041-AM
	6.4L 8Cyl V (391) FS20; PV6; 4.75" Clutch	20-11041-AM
	6.8L 10Cyl V (415) FS20; PV6; 4.75" Clutch	20-11041-AM
(Cont'd)		

COMPRESSORS (Cont'd)		
Year	Application	Part No.
<b>F-250 SUPER DUTY (Cont'd)</b>		
07-03	6.0L 8Cyl V (363) FS10; PV8; 5.12in Clutch; 12:00 Coil	20-10918-AM
01-99	5.4L 8Cyl V (330) FS10; PV8; 5.12in Clutch; 12:00 Coil	20-10918-AM
	6.8L 10Cyl V (415) FS10; PV8; 5.12in Clutch; 12:00 Coil	20-10918-AM
<b>F-350</b>		
01-99	5.4L 8Cyl V (330)	20-10918-AM
97-95	5.8L 8Cyl V (351) FS10; PV6; 5in Clutch; 12:00 Coil	20-10583-AM
97-96	7.5L 8Cyl V (460) FS10; PV6; 5in Clutch; 12:00 Coil	20-10583-AM
96	4.9L 6Cyl L (300) FS10; PV6; 5in Clutch; 12:00 Coil	20-10583-AM
<b>F-350 SUPER DUTY</b>		
08	5.4L 8Cyl V (330) FS20; PV6; 4.75" Clutch	20-11041-AM
	6.4L 8Cyl V (391) FS20; PV6; 4.75" Clutch	20-11041-AM
	6.8L 10Cyl V (415) FS20; PV6; 4.75" Clutch	20-11041-AM
07-03	6.0L 8Cyl V (363) FS10; PV8; 5.12in Clutch; 12:00 Coil	20-10918-AM
01-99	GAS; 5.4L 8Cyl V (330) FS10; PV8; New; 12:00 Coil; 5.12in Dia	20-10918-AM
01	GAS; 6.8L 10Cyl V (415) FS10; PV8; New; 12:00 Coil; 5.12in Dia	20-10918-AM
00	6.8L 10Cyl V (415) FS10; PV8; 5.12in Clutch; 12:00 Coil	20-10918-AM
99	GAS; 6.8L 10Cyl V (415) FS10; PV8; New; 12:00 Coil; 5.12in Dia	20-10918-AM
<b>F-450 SUPER DUTY</b>		
07-03	6.0L 8Cyl V (363) FS10; PV8; 5.12in Clutch; 12:00 Coil	20-10918-AM
01-99	6.8L 10Cyl V (415) FS10; PV8; 5.12in Clutch; 12:00 Coil	20-10918-AM
<b>F-550 SUPER DUTY</b>		
08	6.4L 8Cyl V (391) FS20; PV6; 4.75" Clutch	20-11041-AM
	6.8L 10Cyl V (415) FS20; PV6; 4.75" Clutch	20-11041-AM
07-03	6.0L 8Cyl V (363) FS10; PV8; 5.12in Clutch; 12:00 Coil	20-10918-AM
07	6.8L 10Cyl V (415) w/ Clutch; New	20-11041-AM
03	GAS; 6.8L 10Cyl V (415) Scroll; PV6; New	20-11516-AM
01-99	6.8L 10Cyl V (415) FS10; PV8; 5.12in Clutch; 12:00 Coil	20-10918-AM
<b>FIVE HUNDRED</b>		
07-05	3.0L 6Cyl V (183) Scroll; PV6	20-21943-AM
<b>FREESTYLE</b>		
07-05	3.0L 6Cyl V (183) Scroll; PV6	20-21943-AM
<b>F SUPER DUTY</b>		
97-95	7.5L 8Cyl V (460)	20-10583-AM
<b>MUSTANG</b>		
06-96	4.6L 8Cyl V (281) FS10; PV6; 4.75in Clutch; 12:00 Coil	20-10790-AM
04-95	3.8L 6Cyl V (232) FS10; PV6; 5in Clutch; 12:00 Coil	20-10583-AM
04	3.9L 6Cyl V (238) FS10; PV6; 5in Clutch; 12:00 Coil	20-10583-AM
00	5.4L 8Cyl V (330) w/ Clutch; New	20-10790-AM
<b>RANGER</b>		
11-08	4.0L 6Cyl V (245) FS10; PV6; 5in Clutch; 3:00 Coil	20-10991-AM
08	3.0L 6Cyl V (182) FS10; PV6; 5in Clutch; 3:00 Coil	20-10991-AM
07-02	3.0L 6Cyl V (182) w/ Clutch; New	20-10991-AM
(Cont'd)		

Prices shown are meant to be a guide. All prices are subject to change without notice. Call for current price and availability.

FORD (Con't)			FORD (Con't)		
COMPRESSORS (Cont'd)			EVAPORATOR CORES (Cont'd)		
Year	Application	Part No.	Year	Application	Part No.
<b>RANGER (Cont'd)</b>			<b>E-250 ECONOLINE</b>		
03-95	4.0L 6Cyl V (245) FS10; PV6; 5In Clutch; 3:00 Coil	20-10991-AM	02-97	4.2L 6Cyl V (256) Front A/C; Plate Fin	27-33161
01	2.3L 4Cyl L (140) FS10; PV6; 5In Clutch; 3:00 Coil	20-10991-AM		5.4L 8Cyl V (330) Front A/C; Plate Fin	27-33161
01-95	3.0L 6Cyl V (182) FS10; PV6; 5In Clutch; 3:00 Coil	20-10991-AM	<b>E-250 SUPER DUTY</b>		
<b>TAURUS</b>			05-04	5.4L 8Cyl V (330) Front A/C; Plate Fin	27-33161
07-04	3.0L 6Cyl V (182) FS10; PV6; 3:00 Coil	20-11035-AM	<b>E-350</b>		
03	3.0L 6Cyl V (182) w/ Clutch; New	20-11035-AM	03	5.4L 8Cyl V (330) Front A/C; Plate Fin	27-33161
02-01	3.0L 6Cyl V (182) FS10; PV6; 3:00 Coil	20-11035-AM		6.8L 10Cyl V (415) Front A/C; Plate Fin	27-33161
95	3.8L 6Cyl V (232) FS10; PV6; 5In Clutch; 12:00 Coil	20-10583-AM		7.3L 8Cyl V (445) Front A/C; Plate Fin	27-33161
<b>THUNDERBIRD</b>			<b>E-350 CLUB WAGON</b>		
97-95	4.6L 8Cyl V (281) FS10; PV6; 4.75In Clutch; 12:00 Coil	20-10790-AM	05-03	5.4L 8Cyl V (330) Front A/C; Plate Fin	27-33161
<b>WINDSTAR</b>			05-04	6.0L 8Cyl V (363) Front A/C; Plate Fin	27-33161
98-95	3.8L 6Cyl V (232) FS10; PV6; 5In Clutch; 12:00 Coil	20-10583-AM	05	6.8L 10Cyl V (415) Front A/C; Plate Fin	27-33161
<b>EVAPORATOR CORES</b>			03	6.8L 10Cyl V (415) Front A/C; Plate Fin	27-33161
Year	Application	Part No.		7.3L 8Cyl V (445) Front A/C; Plate Fin	27-33161
<b>E-150</b>			<b>E-350 ECONOLINE</b>		
12	4.6L 8Cyl V (281)	27-33161	08-07	5.4L 8Cyl V (330), Front	27-33161
	5.4L 8Cyl V (330)	27-33161	02-97	5.4L 8Cyl V (330) Front A/C; Plate Fin	27-33161
11	4.6L 8Cyl V (281), Front	27-33161		6.8L 10Cyl V (415) Front A/C; Plate Fin	27-33161
	5.4L 8Cyl V (330), Front	27-33161		7.3L 8Cyl V (445) Front A/C; Plate Fin	27-33161
10-03	4.6L 8Cyl V (281) Front A/C; Plate Fin	27-33161	<b>E-350 ECONOLINE CLUB WAGON</b>		
	5.4L 8Cyl V (330) Front A/C; Plate Fin	27-33161	02-97	5.4L 8Cyl V (330) Front A/C; Plate Fin	27-33161
03	4.2L 6Cyl V (256) Front A/C; Plate Fin	27-33161		6.8L 10Cyl V (415) Front A/C; Plate Fin	27-33161
<b>E-150 CLUB WAGON</b>				7.3L 8Cyl V (445) Front A/C; Plate Fin	27-33161
05-03	4.6L 8Cyl V (281) Front A/C; Plate Fin	27-33161	<b>E-350 SUPER DUTY</b>		
	5.4L 8Cyl V (330) Front A/C; Plate Fin	27-33161	12	5.4L 8Cyl V (330)	27-33161
03	4.2L 6Cyl V (256) Front A/C; Plate Fin	27-33161		6.8L 10Cyl V (415)	27-33161
<b>E-150 ECONOLINE</b>			11	5.4L 8Cyl V (330), Front	27-33161
08-07	5.4L 8Cyl V (330), Front	27-33161		6.8L 10Cyl V (415), Front	27-33161
02-97	4.2L 6Cyl V (256) Front A/C; Plate Fin	27-33161	10-04	5.4L 8Cyl V (330) Front A/C; Plate Fin	27-33161
	4.6L 8Cyl V (281) Front A/C; Plate Fin	27-33161		6.0L 8Cyl V (363) Front A/C; Plate Fin	27-33161
	5.4L 8Cyl V (330) Front A/C; Plate Fin	27-33161		6.8L 10Cyl V (415) Front A/C; Plate Fin	27-33161
<b>E-150 ECONOLINE CLUB WAGON</b>			<b>E-450 ECONOLINE SUPER DUTY</b>		
02-01	4.2L 6Cyl V (256) Front A/C; Plate Fin	27-33161	02	5.4L 8Cyl V (330) Front A/C; Plate Fin	27-33161
	4.6L 8Cyl V (281) Front A/C; Plate Fin	27-33161	02-00	6.8L 10Cyl V (415) Front A/C; Plate Fin	27-33161
	5.4L 8Cyl V (330) Front A/C; Plate Fin	27-33161		7.3L 8Cyl V (445) Front A/C; Plate Fin	27-33161
00-97	4.2L 6Cyl V (256), Front	27-33161	<b>E-450 ECONOLINE SUPER DUTY STRIPPED</b>		
	4.6L 8Cyl V (281), Front	27-33161	02	5.4L 8Cyl V (330) Front A/C; Plate Fin	27-33161
	5.4L 8Cyl V (330), Front	27-33161	02-00	6.8L 10Cyl V (415) Front A/C; Plate Fin	27-33161
<b>E-250</b>				7.3L 8Cyl V (445) Front A/C; Plate Fin	27-33161
12	4.6L 8Cyl V (281)	27-33161	<b>E-450 SUPER DUTY</b>		
	5.4L 8Cyl V (330)	27-33161	12	5.4L 8Cyl V (330)	27-33161
11	4.6L 8Cyl V (281), Front	27-33161		6.8L 10Cyl V (415)	27-33161
	5.4L 8Cyl V (330), Front	27-33161	11	5.4L 8Cyl V (330), Front	27-33161
10-03	4.6L 8Cyl V (281) Front A/C; Plate Fin	27-33161		6.8L 10Cyl V (415), Front	27-33161
	5.4L 8Cyl V (330) Front A/C; Plate Fin	27-33161	10-06	5.4L 8Cyl V (330) Front A/C; Plate Fin	27-33161
03	4.2L 6Cyl V (256) Front A/C; Plate Fin	27-33161	(Cont'd)		

Prices shown are meant to be a guide. All prices are subject to change without notice. Call for current price and availability.



**FORD (Con't)**

**FORD (Con't)**

EVAPORATOR CORES (Cont'd)		
Year	Application	Part No.
<b>E-450 SUPER DUTY (Cont'd)</b>		
10-03	6.8L 10Cyl V (415) Front A/C; Plate Fin.	27-33161
08-04	6.0L 8Cyl V (363) Front A/C; Plate Fin.	27-33161
04-03	5.4L 8Cyl V (330) Front A/C; Plate Fin.	27-33161
03	7.3L 8Cyl V (445) Front A/C; Plate Fin.	27-33161
<b>E-450 SUPER DUTY STRIPPED CHASSIS</b>		
03	5.4L 8Cyl V (330) Front A/C; Plate Fin.	27-33161
	6.8L 10Cyl V (415) Front A/C; Plate Fin.	27-33161
	7.3L 8Cyl V (445) Front A/C; Plate Fin.	27-33161
<b>E-550 ECONOLINE SUPER DUTY</b>		
02	6.8L 10Cyl V (415) Front A/C; Plate Fin.	27-33161
	7.3L 8Cyl V (445) Front A/C; Plate Fin.	27-33161
<b>E-550 SUPER DUTY</b>		
03	6.8L 10Cyl V (415)	27-33161
	6.8L 10Cyl V (415), Front	27-33161
	7.3L 8Cyl V (445)	27-33161
	7.3L 8Cyl V (445), Front	27-33161
<b>ECONOLINE</b>		
06-04	4.6L 8Cyl V (281), Front	27-33161
06-99	5.4L 8Cyl V (330), Front	27-33161
03	4.2L 6Cyl V (256), Front	27-33161
<b>ECONOLINE SUPER DUTY</b>		
99-97	5.4L 8Cyl V (330) Front A/C; Plate Fin.	27-33161
	6.8L 10Cyl V (415) Front A/C; Plate Fin.	27-33161
	7.3L 8Cyl V (445) Front A/C; Plate Fin.	27-33161
<b>EDGE</b>		
14	3.5L 6Cyl V (213)	27-33764
	3.7L 6Cyl V (227)	27-33764
14-11	N/A	27-33764
10-07	3.5L 6Cyl V (213)	27-33764
<b>EXCURSION</b>		
05-03	5.4L 8Cyl V (330) Front A/C; Plate Fin.	27-33177
	6.0L 8Cyl V (363) Front A/C; Plate Fin.	27-33177
	6.8L 10Cyl V (415) Front A/C; Plate Fin.	27-33177
03-00	7.3L 8Cyl V (445) Front A/C; Plate Fin.	27-33177
<b>EXPEDITION</b>		
06-03	5.4L 8Cyl V (330), Front Front A/C; Plate Fin.	27-33391
06	5.4L 8Cyl V (330), Front Plate/Fin.; Front Plate/Fin.	27-33391
05-04	5.4L 8Cyl V (330), Front Plate/Fin.	27-33391
04-03	4.6L 8Cyl V (281), Front Front A/C; Plate Fin.	27-33391
04	4.6L 8Cyl V (281), Front Plate/Fin.	27-33391
03	4.6L 8Cyl V (281), Front Plate/Fin.; Front Plate/Fin.	27-33391
	5.4L 8Cyl V (330), Front Plate/Fin.; Front Plate/Fin.	27-33391
<b>F53</b>		
07-99	6.8L 10Cyl V (415)	27-33177
<b>F-150</b>		
08-05	4.2L 6Cyl V (256)	27-33391
	4.6L 8Cyl V (281)	27-33391
08-07	5.4L 8Cyl V (330)	27-33391
(Cont'd)		

EVAPORATOR CORES (Cont'd)		
Year	Application	Part No.
<b>F-150 (Cont'd)</b>		
06	Harley-Davidson Edition, 5.4L 8Cyl V (330), Front PLATE FIN.	27-33391
06-05	King Ranch, 5.4L 8Cyl V (330), Front PLATE FIN.	27-33391
	Lariat, 5.4L 8Cyl V (330), Front PLATE FIN.	27-33391
	STX, 4.2L 6Cyl V (256), Front PLATE FIN.	27-33391
	STX, 4.6L 8Cyl V (281), Front PLATE FIN.	27-33391
	XL, 4.2L 6Cyl V (256), Front PLATE FIN.	27-33391
	XL, 4.6L 8Cyl V (281), Front PLATE FIN.	27-33391
	XL, 5.4L 8Cyl V (330), Front PLATE FIN.	27-33391
	XLT, 4.2L 6Cyl V (256), Front PLATE FIN.	27-33391
	XLT, 4.6L 8Cyl V (281), Front PLATE FIN.	27-33391
	XLT, 5.4L 8Cyl V (330), Front PLATE FIN.	27-33391
04	Front NEW STYLE	27-33391
<b>F-250 SUPER DUTY</b>		
07-99	5.4L 8Cyl V (330)	27-33177
07-03	6.0L 8Cyl V (363)	27-33177
07-99	6.8L 10Cyl V (415)	27-33177
03-99	7.3L 8Cyl V (445)	27-33177
<b>F-350 SUPER DUTY</b>		
07-99	5.4L 8Cyl V (330)	27-33177
07-03	6.0L 8Cyl V (363)	27-33177
07-99	6.8L 10Cyl V (415)	27-33177
03-99	7.3L 8Cyl V (445)	27-33177
<b>F-450 SUPER DUTY</b>		
07-03	6.0L 8Cyl V (363)	27-33177
07-99	6.8L 10Cyl V (415)	27-33177
03-99	7.3L 8Cyl V (445)	27-33177
<b>F-550 SUPER DUTY</b>		
07-03	6.0L 8Cyl V (363)	27-33177
07-99	6.8L 10Cyl V (415)	27-33177
03-99	7.3L 8Cyl V (445)	27-33177
<b>EXPANSION VALVE ORIFICE TUBES</b>		
Year	Application	Part No.
<b>AEROSTAR</b>		
97	3.0L 6Cyl V (182) Orange	MT0094-1
97-95	3.0L 6Cyl V (182), Front Orange; Optional Auto Adj Orifice Tube 3411302	MT0094-1
97	4.0L 6Cyl V (245) Orange	MT0094-1
97-95	4.0L 6Cyl V (245), Front Orange; Optional Auto Adj Orifice Tube 3411302	MT0094-1
<b>ASPIRE</b>		
97-95	1.3L 4Cyl L (1295) Orange; Optional Auto Adj Orifice Tube 3411302	MT0094-1
<b>CONTOUR</b>		
00-95	2.0L 4Cyl L (121) Orange; Optional Auto Adj Orifice Tube 3411302	MT0094-1
	2.5L 6Cyl V (155) Orange; Optional Auto Adj Orifice Tube 3411302	MT0094-1
<b>CROWN VICTORIA</b>		
11-95	4.6L 8Cyl V (281) Orange; Optional Auto Adj Orifice Tube 3411302	MT0094-1
<b>E-150</b>		
12	4.6L 8Cyl V (281) Front; Black	31-50026
	5.4L 8Cyl V (330) Front; Black	31-50026
11-03	4.6L 8Cyl V (281), Front Front; Black	31-50026
(Cont'd)		

Prices shown are meant to be a guide. All prices are subject to change without notice. Call for current price and availability.

FORD (Con't)			FORD (Con't)		
EXPANSION VALVE ORIFICE TUBES (Cont'd)			EXPANSION VALVE ORIFICE TUBES (Cont'd)		
Year	Application	Part No.	Year	Application	Part No.
<b>E-150 (Cont'd)</b>			<b>E-250 ECONOLINE (Cont'd)</b>		
11-03	5.4L 8Cyl V (330), Front Front: Black	31-50026	96-95	5.8L 8Cyl V (351) Red	MT0093-1
03	4.2L 6Cyl V (256), Front Front: Black	31-50026	<b>E-250 SUPER DUTY</b>		
<b>E-150 CLUB WAGON</b>			05-04	5.4L 8Cyl V (330), Front Front: Black	31-50026
05-03	4.6L 8Cyl V (281), Front Front: Black	31-50026	<b>E-350</b>		
03	5.4L 8Cyl V (330), Front Front: Black	31-50026	03	5.4L 8Cyl V (330), Front Front: Black	31-50026
	4.2L 6Cyl V (256), Front Front: Black	31-50026		6.8L 10Cyl V (415), Front Front: Black	31-50026
<b>E-150 ECONOLINE</b>				7.3L 8Cyl V (445), Front Front: Black	31-50026
08-07	5.4L 8Cyl V (330), Front Front: Black	31-50026	<b>E-350 CLUB WAGON</b>		
02	4.2L 6Cyl V (256), Front Front: Black	31-50026	05-03	5.4L 8Cyl V (330), Front Front: Black	31-50026
	4.6L 8Cyl V (281), Front Front: Black	31-50026	05-04	6.0L 8Cyl V (363), Front Front: Black	31-50026
01-97	5.4L 8Cyl V (330), Front Front: Black	31-50026	05	6.8L 10Cyl V (415), Front Front: Black	31-50026
	4.2L 6Cyl V (256) Red	MT0093-1	03	6.8L 10Cyl V (415), Front Front: Black	31-50026
96-95	4.6L 8Cyl V (281) Red	MT0093-1		7.3L 8Cyl V (445), Front Front: Black	31-50026
	5.4L 8Cyl V (330) Red	MT0093-1	<b>E-350 ECONOLINE</b>		
	4.9L 6Cyl L (300) Red	MT0093-1	08-07	5.4L 8Cyl V (330), Front Front: Black	31-50026
	5.0L 8Cyl V (302) Red	MT0093-1	02	5.4L 8Cyl V (330), Front Front: Black	31-50026
	5.8L 8Cyl V (351) Red	MT0093-1		6.8L 10Cyl V (415), Front Front: Black	31-50026
<b>E-150 ECONOLINE CLUB WAGON</b>			01-97	5.4L 8Cyl V (330) Red	MT0093-1
02	4.2L 6Cyl V (256), Front Front: Black	31-50026		6.8L 10Cyl V (415) Red	MT0093-1
	4.6L 8Cyl V (281), Front Front: Black	31-50026	01-95	7.3L 8Cyl V (445) Red	MT0093-1
01-97	5.4L 8Cyl V (330), Front Front: Black	31-50026	96-95	4.9L 6Cyl L (300) Red	MT0093-1
	4.2L 6Cyl V (256) Red	MT0093-1		5.8L 8Cyl V (351) Red	MT0093-1
96-95	4.6L 8Cyl V (281) Red	MT0093-1		7.5L 8Cyl V (460) Red	MT0093-1
	5.4L 8Cyl V (330) Red	MT0093-1	<b>E-350 ECONOLINE CLUB WAGON</b>		
	4.9L 6Cyl L (300) Red	MT0093-1	02	5.4L 8Cyl V (330), Front Front: Black	31-50026
	5.0L 8Cyl V (302) Red	MT0093-1		6.8L 10Cyl V (415), Front Front: Black	31-50026
	5.8L 8Cyl V (351) Red	MT0093-1	01-97	7.3L 8Cyl V (445), Front Front: Black	31-50026
<b>E-250</b>				5.4L 8Cyl V (330) Red	MT0093-1
12-11	4.6L 8Cyl V (281) Front: Black	31-50026	01-95	6.8L 10Cyl V (415) Red	MT0093-1
12	5.4L 8Cyl V (330) Front: Black	31-50026	96-95	4.9L 6Cyl L (300) Red	MT0093-1
11-03	5.4L 8Cyl V (330), Front Front: Black	31-50026		5.8L 8Cyl V (351) Red	MT0093-1
10-09	4.6L 8Cyl V (281), Front Front: Black	31-50026		7.5L 8Cyl V (460) Red	MT0093-1
07-03	4.6L 8Cyl V (281), Front Front: Black	31-50026	<b>E-350 SUPER DUTY</b>		
03	4.2L 6Cyl V (256), Front Front: Black	31-50026	12	5.4L 8Cyl V (330) Front: Black	31-50026
<b>E-250 ECONOLINE</b>				6.8L 10Cyl V (415) Front: Black	31-50026
02	4.2L 6Cyl V (256), Front Front: Black	31-50026	11-04	5.4L 8Cyl V (330), Front Front: Black	31-50026
01-97	5.4L 8Cyl V (330) Front: Black	31-50026		6.8L 10Cyl V (415), Front Front: Black	31-50026
	4.2L 6Cyl V (256) Red	MT0093-1	10-04	6.0L 8Cyl V (363), Front Front: Black	31-50026
96-95	5.4L 8Cyl V (330) Red	MT0093-1			
	4.9L 6Cyl L (300) Red	MT0093-1			
(Cont'd)					

Prices shown are meant to be a guide. All prices are subject to change without notice. Call for current price and availability.

**FORD (Con't)**

**FORD (Con't)**

**EXPANSION VALVE ORIFICE TUBES (Cont'd)**

**EXPANSION VALVE ORIFICE TUBES (Cont'd)**

Year	Application	Part No.
<b>E-450 ECONOLINE SUPER DUTY</b>		
02-00	5.4L 8Cyl V (330) Red	MT0093-1
	6.8L 10Cyl V (415) Red	MT0093-1
02-01	7.3L 8Cyl V (445) Red	MT0093-1
<b>E-450 SUPER DUTY</b>		
12-11	5.4L 8Cyl V (330) Front: Black	31-50026
	6.8L 10Cyl V (415) Front: Black	31-50026
10	5.4L 8Cyl V (330), Front Front: Black	31-50026
	6.8L 10Cyl V (415), Front Front: Black	31-50026
09-08	5.4L 8Cyl V (330) Front: Black	31-50026
	6.8L 10Cyl V (415) Front: Black	31-50026
08-04	6.0L 8Cyl V (363), Front Front: Black	31-50026
07-06	5.4L 8Cyl V (330), Front Front: Black	31-50026
07-03	6.8L 10Cyl V (415), Front Front: Black	31-50026
04-03	5.4L 8Cyl V (330), Front Front: Black	31-50026
03	7.3L 8Cyl V (445), Front Front: Black	31-50026
<b>E-450 SUPER DUTY STRIPPED CHASSIS</b>		
03	5.4L 8Cyl V (330), Front Front: Black	31-50026
	6.8L 10Cyl V (415), Front Front: Black	31-50026
	7.3L 8Cyl V (445), Front Front: Black	31-50026
<b>E-550 SUPER DUTY</b>		
03	6.8L 10Cyl V (415), Front Front: Black	31-50026
	7.3L 8Cyl V (445), Front Front: Black	31-50026
<b>ECONOLINE</b>		
06-04	4.6L 8Cyl V (281), Front Front: Black	31-50026
06-02	5.4L 8Cyl V (330), Front Front: Black	31-50026
03	4.2L 6Cyl V (256), Front Front: Black	31-50026
<b>ESCAPE</b>		
09	2.5L 4Cyl L (152)	MT0094-1
09-08	3.0L 6Cyl V (183)	MT0094-1
08	2.3L 4Cyl L (140)	MT0094-1
07-05	2.3L 4Cyl L (140), Front Orange: Optional Auto Adj Orifice Tube 3411302	MT0094-1
07-06	3.0L 6Cyl V (183) Orange: Optional Auto Adj Orifice Tube 3411302	MT0094-1
05-01	3.0L 6Cyl V (182) Orange: Optional Auto Adj Orifice Tube 3411302	MT0094-1
04-01	2.0L 4Cyl L (121) Orange: Optional Auto Adj Orifice Tube 3411302	MT0094-1
03	3.0L 6Cyl V (183) Orange: Optional Auto Adj Orifice Tube 3411302	MT0094-1
<b>ESCORT</b>		
03-99	2.0L 4Cyl L (121) Orange: Optional Auto Adj Orifice Tube 3411302	MT0094-1
98	2.0L 4Cyl L (121) Blue: Optional Auto Adj Orifice Tube 3411302	MT0092-1
	2.0L 4Cyl L (121) Orange	MT0094-1
97	2.0L 4Cyl L (121) Orange: Optional Auto Adj Orifice Tube 3411302	MT0094-1
96-95	1.8L 4Cyl L (112) Orange: Optional Auto Adj Orifice Tube 3411302	MT0094-1
	1.9L 4Cyl L (113) Orange: Optional Auto Adj Orifice Tube 3411302	MT0094-1

(Cont'd)

Year	Application	Part No.
95	1.9L 4Cyl L (116) Orange: Optional Auto Adj Orifice Tube 3411302	MT0094-1
<b>EXPEDITION</b>		
02-97	4.6L 8Cyl V (281) Red	MT0093-1
	5.4L 8Cyl V (330) Red	MT0093-1
<b>EXPLORER</b>		
10	4.0L 6Cyl V (245)	MT0092-1
	4.6L 8Cyl V (281)	MT0092-1
09-06	4.0L 6Cyl V (245) Blue	MT0092-1
09-95	4.0L 6Cyl V (245) Red	MT0093-1
09-06	4.6L 8Cyl V (281) Blue	MT0092-1
09-02	4.6L 8Cyl V (281) Red	MT0093-1
01-96	5.0L 8Cyl V (302) Red	MT0093-1
<b>EXPLORER SPORT TRAC</b>		
10	4.0L 6Cyl V (245)	MT0093-1
	4.6L 8Cyl V (281)	MT0093-1
09-07	4.0L 6Cyl V (245) Red	MT0093-1
	4.6L 8Cyl V (281) Red	MT0093-1
05-01	4.0L 6Cyl V (245) Red	MT0093-1
<b>F53</b>		
97-95	7.5L 8Cyl V (460) Red	MT0093-1
<b>F-150</b>		
08-07	4.2L 6Cyl V (256) Blue: Optional Auto Adj Orifice Tube 3411302	MT0092-1
08	4.6L 8Cyl V (281) Blue: Optional Auto Adj Orifice Tube 3411302	MT0092-1
	5.4L 8Cyl V (330) Blue: Optional Auto Adj Orifice Tube 3411302	MT0092-1
07	4.6L 8Cyl V (281) Blue	MT0092-1
	5.4L 8Cyl V (330) Blue	MT0092-1
06-05	4.2L 6Cyl V (256) Red	MT0093-1
06-99	4.6L 8Cyl V (281) Red	MT0093-1
	5.4L 8Cyl V (330) Red	MT0093-1
04-99	4.2L 6Cyl V (256) Blue: Optional Auto Adj Orifice Tube 3411302	MT0092-1
03-99	4.2L 6Cyl V (256) Red	MT0093-1
	4.6L 8Cyl V (281) Blue: Optional Auto Adj Orifice Tube 3411302	MT0092-1
98-97	4.2L 6Cyl V (256) Blue	MT0092-1
	4.6L 8Cyl V (281) Blue	MT0092-1
	5.4L 8Cyl V (330) Blue	MT0092-1
96	4.9L 6Cyl L (300) Red	MT0093-1
	5.0L 8Cyl V (302) Red	MT0093-1
	5.8L 8Cyl V (351) Red	MT0093-1
95	GAS, 4.9L 6Cyl L (300) Blue	MT0092-1
	GAS, 5.0L 8Cyl V (302) Red	MT0093-1
	GAS, 5.8L 8Cyl V (351) Red	MT0093-1

Prices shown are meant to be a guide. All prices are subject to change without notice. Call for current price and availability.

FORD (Con't)			FORD (Con't)		
EXPANSION VALVE ORIFICE TUBES (Cont'd)			EXPANSION VALVE ORIFICE TUBES (Cont'd)		
Year	Application	Part No.	Year	Application	Part No.
<b>F-150 HERITAGE</b>			<b>F-350 (Cont'd)</b>		
04	4.2L 6Cyl V (256) Blue; Optional Auto Adj Orifice Tube 3411302	MT0092-1	95	GAS, 7.5L 8Cyl V (460) Red	MT0093-1
	4.2L 6Cyl V (256) Red	MT0093-1	<b>F-350 SUPER DUTY</b>		
	4.6L 8Cyl V (281) Red	MT0093-1	10-07	5.4L 8Cyl V (330) Blue	MT0092-1
	5.4L 8Cyl V (330) Red	MT0093-1	10	6.4L 8Cyl V (391) Blue	MT0092-1
<b>F-250</b>			10-07	6.8L 10Cyl V (415) Blue	MT0092-1
99-98	4.6L 8Cyl V (281) Blue; Optional Auto Adj Orifice Tube 3411302	MT0092-1	09	5.4L 8Cyl V (330) Blue; Optional Auto Adj Orifice Tube 3411302	MT0092-1
99-97	4.6L 8Cyl V (281) Red	MT0093-1		6.4L 8Cyl V (391) Blue; Optional Auto Adj Orifice Tube 3411302	MT0092-1
	5.4L 8Cyl V (330) Red	MT0093-1	08	5.4L 8Cyl V (330) Orange; Optional Auto Adj Orifice Tube 3411302	MT0094-1
98	5.4L 8Cyl V (330) Blue; Optional Auto Adj Orifice Tube 3411302	MT0092-1		6.4L 8Cyl V (391) Blue	MT0092-1
97	5.8L 8Cyl V (351) Red	MT0093-1		6.4L 8Cyl V (391) Orange; Optional Auto Adj Orifice Tube 3411302	MT0094-1
	7.3L 8Cyl V (445) Red	MT0093-1		6.8L 10Cyl V (415) Orange; Optional Auto Adj Orifice Tube 3411302	MT0094-1
	7.5L 8Cyl V (460) Red	MT0093-1	07	6.0L 8Cyl V (363) Blue	MT0092-1
96-95	4.9L 6Cyl L (300) Blue	MT0092-1	06-99	5.4L 8Cyl V (330) Red	MT0093-1
	5.0L 8Cyl V (302) Blue	MT0092-1	06-03	6.0L 8Cyl V (363) Red	MT0093-1
	5.8L 8Cyl V (351) Blue	MT0092-1	06-99	6.8L 10Cyl V (415) Red	MT0093-1
	7.3L 8Cyl V (445) Blue	MT0092-1	03-99	7.3L 8Cyl V (445) Red	MT0093-1
	7.5L 8Cyl V (460) Blue	MT0092-1	<b>F-450 SUPER DUTY</b>		
<b>F-250 SUPER DUTY</b>			10	6.4L 8Cyl V (391) Blue	MT0092-1
10	5.4L 8Cyl V (330) Blue	MT0092-1		6.4L 8Cyl V (391), Front Blue; Optional Auto Adj Orifice Tube 3411302	MT0092-1
	6.4L 8Cyl V (391) Blue	MT0092-1	09-08	6.4L 8Cyl V (391) Blue	MT0092-1
10-07	6.8L 10Cyl V (415) Blue	MT0092-1	08	6.4L 8Cyl V (391) Orange; Optional Auto Adj Orifice Tube 3411302	MT0094-1
09	5.4L 8Cyl V (330) Blue; Optional Auto Adj Orifice Tube 3411302	MT0092-1	08-99	6.8L 10Cyl V (415) Blue	MT0092-1
	6.4L 8Cyl V (391) Blue; Optional Auto Adj Orifice Tube 3411302	MT0092-1	08	6.8L 10Cyl V (415) Orange; Optional Auto Adj Orifice Tube 3411302	MT0094-1
08-07	5.4L 8Cyl V (330) Blue	MT0092-1	07-03	6.0L 8Cyl V (363) Blue	MT0092-1
08	5.4L 8Cyl V (330) Orange; Optional Auto Adj Orifice Tube 3411302	MT0094-1	03-99	7.3L 8Cyl V (445) Blue	MT0092-1
	6.4L 8Cyl V (391) Blue	MT0092-1	<b>F-550 SUPER DUTY</b>		
	6.4L 8Cyl V (391) Orange; Optional Auto Adj Orifice Tube 3411302	MT0094-1	10-08	6.4L 8Cyl V (391) Blue	MT0092-1
	6.8L 10Cyl V (415) Orange; Optional Auto Adj Orifice Tube 3411302	MT0094-1	10-99	6.8L 10Cyl V (415) Blue	MT0092-1
07	6.0L 8Cyl V (363) Blue	MT0092-1	08	6.4L 8Cyl V (391) Orange; Optional Auto Adj Orifice Tube 3411302	MT0094-1
06-99	5.4L 8Cyl V (330) Red	MT0093-1		6.8L 10Cyl V (415) Orange; Optional Auto Adj Orifice Tube 3411302	MT0094-1
06-03	6.0L 8Cyl V (363) Red	MT0093-1	07-03	6.0L 8Cyl V (363) Blue	MT0092-1
06-99	6.8L 10Cyl V (415) Red	MT0093-1	03-99	7.3L 8Cyl V (445) Blue	MT0092-1
03-99	7.3L 8Cyl V (445) Red	MT0093-1	<b>FOCUS</b>		
<b>F-350</b>			07-00	2.0L 4Cyl L (121) Orange; Optional Auto Adj Orifice Tube 3411302	MT0094-1
97-96	5.8L 8Cyl V (351) Blue	MT0092-1	07-03	2.3L 4Cyl L (140) Orange; Optional Auto Adj Orifice Tube 3411302	MT0094-1
	7.3L 8Cyl V (445) Blue	MT0092-1	<b>FREESTAR</b>		
	7.5L 8Cyl V (460) Blue	MT0092-1	07	3.9L 6Cyl V (238) Orange; Optional Auto Adj Orifice Tube 3411302	MT0094-1
96	4.9L 6Cyl L (300) Blue	MT0092-1	06-04	4.2L 6Cyl V (256) Orange; Optional Auto Adj Orifice Tube 3411302	MT0094-1
95	GAS, 4.9L 6Cyl L (300) Red	MT0093-1		3.9L 6Cyl V (238) Orange	MT0094-1
	GAS, 5.8L 8Cyl V (351) Red	MT0093-1		4.2L 6Cyl V (256) Orange	MT0094-1
(Cont'd)					

Prices shown are meant to be a guide. All prices are subject to change without notice. Call for current price and availability.

**FORD (Con't)**

**FORD (Con't)**

EXPANSION VALVE ORIFICE TUBES (Cont'd)		
Year	Application	Part No.
<b>GT</b>		
06-05	5.4L 8Cyl V (330) Red	MT0093-1
<b>MUSTANG</b>		
09-07	4.0L 6Cyl V (245) Blue; Optional Auto Adj Orifice Tube 3411302	MT0092-1
	4.6L 8Cyl V (281) Blue; Optional Auto Adj Orifice Tube 3411302	MT0092-1
	5.4L 8Cyl V (330) Blue; Optional Auto Adj Orifice Tube 3411302	MT0092-1
06-05	4.0L 6Cyl V (245) Orange; Optional Auto Adj Orifice Tube 3411302	MT0094-1
06-02	4.6L 8Cyl V (281) Orange; Optional Auto Adj Orifice Tube 3411302	MT0094-1
04-02	3.8L 6Cyl V (232) Orange; Optional Auto Adj Orifice Tube 3411302	MT0094-1
04	3.9L 6Cyl V (238) Orange; Optional Auto Adj Orifice Tube 3411302	MT0094-1
01-99	3.8L 6Cyl V (232) Orange	MT0094-1
	4.6L 8Cyl V (281) Orange	MT0094-1
00	5.4L 8Cyl V (330) Orange	MT0094-1
98-96	3.8L 6Cyl V (232) Orange; Optional Auto Adj Orifice Tube 3411302	MT0094-1
	4.6L 8Cyl V (281) Orange; Optional Auto Adj Orifice Tube 3411302	MT0094-1
95	3.8L 6Cyl V (232) Orange	MT0094-1
	5.0L 8Cyl V (302) Orange	MT0094-1
	5.8L 8Cyl V (351) Orange	MT0094-1
<b>RANGER</b>		
10-09	2.3L 4Cyl L (140)	MT0093-1
	4.0L 6Cyl V (245)	MT0093-1
08-01	2.3L 4Cyl L (140) Red	MT0093-1
08-98	3.0L 6Cyl V (182) Red	MT0093-1
	4.0L 6Cyl V (245) Red	MT0093-1
01-98	2.5L 4Cyl L (153) Red	MT0093-1
97-95	2.3L 4Cyl L (140) Blue	MT0092-1
	3.0L 6Cyl V (182) Blue	MT0092-1
	4.0L 6Cyl V (245) Blue	MT0092-1
<b>TAURUS</b>		
07-04	3.0L 6Cyl V (182) Orange; Optional Auto Adj Orifice Tube 3411302	MT0094-1
03	3.0L 6Cyl V (182) Orange	MT0094-1
02-95	3.0L 6Cyl V (182) Orange; Optional Auto Adj Orifice Tube 3411302	MT0094-1
99-96	3.4L 8Cyl V (207) Orange; Optional Auto Adj Orifice Tube 3411302	MT0094-1
95	3.2L 6Cyl V (195) Orange	MT0094-1
	3.8L 6Cyl V (232) Orange	MT0094-1
<b>THUNDERBIRD</b>		
97-95	3.8L 6Cyl V (232) Orange; Optional Auto Adj Orifice Tube 3411302	MT0094-1
	4.6L 8Cyl V (281) Orange; Optional Auto Adj Orifice Tube 3411302	MT0094-1
<b>WINDSTAR</b>		
03-95	3.8L 6Cyl V (232) Red	MT0093-1
00-95	3.0L 6Cyl V (182) Red	MT0093-1

EXPANSION VALVES		
Year	Application	Part No.
<b>EXCURSION</b>		
05-00	5.4L 8Cyl V (330), Rear O	31-30927-AM
05-03	6.0L 8Cyl V (363), Rear O	31-30927-AM
05-00	6.8L 10Cyl V (415), Rear O	31-30927-AM
03-00	7.3L 8Cyl V (445), Rear O	31-30927-AM
<b>HOSE ASSEMBLIES DISCHARGE</b>		
Year	Application	Part No.
<b>CROWN VICTORIA</b>		
11-06	4.6L 8Cyl V (281)	34-64261
<b>HOSE ASSEMBLIES LIQUID LINE</b>		
Year	Application	Part No.
<b>MUSTANG</b>		
01-99	3.8L 6Cyl V (232) Contain Orifice Tube	34-63751
	4.6L 8Cyl V (281) Contain Orifice Tube	34-63751
<b>TAURUS</b>		
07-04	3.0L 6Cyl V (182) Contains Orifice Tube; Condenser Side of Two Piece Line	34-63756
03	3.0L 6Cyl V (182), DOHC	34-63756
02-00	3.0L 6Cyl V (182) Contains Orifice Tube; Condenser Side of Two Piece Line	34-63756
<b>HOSE ASSEMBLIES MANIFOLD</b>		
Year	Application	Part No.
<b>CROWN VICTORIA</b>		
05-03	4.6L 8Cyl V (281)	34-64260
<b>E-150 ECONOLINE</b>		
01-99	4.6L 8Cyl V (281)	34-63453
01-98	5.4L 8Cyl V (330)	34-63453
<b>E-150 ECONOLINE CLUB WAGON</b>		
01-00	4.6L 8Cyl V (281)	34-63453
01-99	5.4L 8Cyl V (330)	34-63453
98-97	4.6L 8Cyl V (281)	34-63453
97	5.4L 8Cyl V (330)	34-63453
<b>E-250 ECONOLINE</b>		
01-97	5.4L 8Cyl V (330)	34-63453
<b>E-350 ECONOLINE</b>		
01-99	5.4L 8Cyl V (330)	34-63453
01-97	GAS, 6.8L 10Cyl V (415)	34-63453
<b>E-350 ECONOLINE CLUB WAGON</b>		
01-97	5.4L 8Cyl V (330) GAS, 6.8L 10Cyl V (415)	34-63453
		34-63453
<b>EXCURSION</b>		
03-00	7.3L 8Cyl V (445)	34-63917
<b>EXPEDITION</b>		
02-98	4.6L 8Cyl V (281) w/ Rear A/C	34-63758
	5.4L 8Cyl V (330) w/ Rear A/C	34-63758
<b>F-250 SUPER DUTY</b>		
07-03	6.0L 8Cyl V (363)	34-64255
<b>F-350 SUPER DUTY</b>		
07-03	6.0L 8Cyl V (363)	34-64255
<b>F-450 SUPER DUTY</b>		
07-03	6.0L 8Cyl V (363)	34-64255
<b>F-550 SUPER DUTY</b>		
07-03	6.0L 8Cyl V (363)	34-64255
<b>WINDSTAR</b>		
03-99	3.8L 6Cyl V (232) W/REAR A/C	34-63770

Prices shown are meant to be a guide. All prices are subject to change without notice. Call for current price and availability.

**FORD (Con't)**

**FORD (Con't)**

RELAY ACCESSORY POWER			RELAY ACCESSORY POWER (Cont'd)		
Year	Application	Part No.	Year	Application	Part No.
<b>CROWN VICTORIA</b>			<b>F-250 SUPER DUTY</b>		
11-03	4.6L 8Cyl V (281) Located in Battery Junction Box - PCM Relay	MT0225	08-04	5.4L 8Cyl V (330) Located Central Junction Box (CJB) - PCM Relay	MT0225
<b>E-150</b>			08	6.4L 8Cyl V (391) Located Central Junction Box (CJB) - PCM Relay	MT0225
12-09	4.6L 8Cyl V (281) Located Battery Junction Box (BJB) - PCM Relay	MT0225	08-04	6.8L 10Cyl V (415) Located Central Junction Box (CJB) - PCM Relay	MT0225
	5.4L 8Cyl V (330) Located Battery Junction Box (BJB) - PCM Relay	MT0225	07-04	6.0L 8Cyl V (363) Located Central Junction Box (CJB) - PCM Relay	MT0225
<b>E-250</b>			<b>F-350</b>		
12-09	4.6L 8Cyl V (281) Located Battery Junction Box (BJB) - PCM Relay	MT0225	08-04	5.4L 8Cyl V (330) Located Central Junction Box (CJB) - PCM Relay	MT0225
	5.4L 8Cyl V (330) Located Battery Junction Box (BJB) - PCM Relay	MT0225	<b>F-350 SUPER DUTY</b>		
<b>E-350 SUPER DUTY</b>			08-04	5.4L 8Cyl V (330) Located Central Junction Box (CJB) - PCM Relay	MT0225
12-09	5.4L 8Cyl V (330) Located Battery Junction Box (BJB) - PCM Relay	MT0225	08	6.4L 8Cyl V (391) Located Central Junction Box (CJB) - PCM Relay	MT0225
	6.8L 10Cyl V (415) Located Battery Junction Box (BJB) - PCM Relay	MT0225	08-04	6.8L 10Cyl V (415) Located Central Junction Box (CJB) - PCM Relay	MT0225
10-09	6.0L 8Cyl V (363) Located Battery Junction Box (BJB) - PCM Relay	MT0225	07-04	6.0L 8Cyl V (363) Located Central Junction Box (CJB) - PCM Relay	MT0225
<b>E-450 SUPER DUTY</b>			<b>F-450</b>		
12-09	5.4L 8Cyl V (330) Located Battery Junction Box (BJB) - PCM Relay	MT0225	07-04	6.8L 10Cyl V (415) Located Central Junction Box (CJB) - PCM Relay	MT0225
	6.8L 10Cyl V (415) Located Battery Junction Box (BJB) - PCM Relay	MT0225	<b>F-450 SUPER DUTY</b>		
10-09	6.0L 8Cyl V (363) Located Battery Junction Box (BJB) - PCM Relay	MT0225	08	6.4L 8Cyl V (391) Located Central Junction Box (CJB) - PCM Relay	MT0225
<b>ECONOLINE VAN</b>			07-06	6.0L 8Cyl V (363) Located Central Junction Box (CJB) - PCM Relay	MT0225
12-10	4.6L 8Cyl V (281) Located Battery Junction Box (BJB) - PCM Relay	MT0225	07-04	6.8L 10Cyl V (415) Located Central Junction Box (CJB) - PCM Relay	MT0225
<b>ECONOLINE WAGON</b>			04	6.0L 8Cyl V (363) Located Central Junction Box (CJB) - PCM Relay	MT0225
12-10	4.6L 8Cyl V (281) Located Battery Junction Box (BJB) - PCM Relay	MT0225	<b>F-550 SUPER DUTY</b>		
	5.4L 8Cyl V (330) Located Battery Junction Box (BJB) - PCM Relay	MT0225	07-06	6.0L 8Cyl V (363) Located Central Junction Box (CJB) - PCM Relay	MT0225
<b>EDGE</b>			07-04	6.8L 10Cyl V (415) Located Central Junction Box (CJB) - PCM Relay	MT0225
12	2.0L 4Cyl L (122) Located in Battery Junction Box - PCM Relay	MT0225	04	6.0L 8Cyl V (363) Located Central Junction Box (CJB) - PCM Relay	MT0225
12-11	3.5L 6Cyl V (213) Located in Battery Junction Box - PCM Relay	MT0225	<b>FLEX</b>		
	3.7L 6Cyl V (227) Located in Battery Junction Box - PCM Relay	MT0225	12-09	3.5L 6Cyl V (213) Located Battery Junction Box (BJB)	MT0225
<b>ESCAPE</b>			<b>FREESTAR</b>		
12-09	2.5L 4Cyl L (152) Located in Battery Junction Box - PCM Relay	MT0225	07-04	3.9L 6Cyl V (238) Located Bussed Electrical Center (BEC) - PCM Relay	MT0225
12-11	3.0L 6Cyl V (181) Located in Battery Junction Box - PCM Relay	MT0225		4.2L 6Cyl V (256) Located Bussed Electrical Center (BEC) - PCM Relay	MT0225
12-08	3.0L 6Cyl V (183) Located in Battery Junction Box - PCM Relay	MT0225	<b>GRAND MARQUIS</b>		
08	2.3L 4Cyl L (140) Located in Battery Junction Box - PCM Relay	MT0225	04-03	4.6L 8Cyl V (281) Located in Battery Junction Box - PCM Relay	MT0225
<b>EXPEDITION</b>			<b>RANGER</b>		
06-97	5.4L 8Cyl V (330) Located Central Junction Box (CJB) - PCM Relay	MT0225	00-98	2.5L 4Cyl L (153) Located Battery Junction Box (BJB) - PCM Relay	MT0225
04-97	4.6L 8Cyl V (281) Located Central Junction Box (CJB) - PCM Relay	MT0225	00-97	3.0L 6Cyl V (182) Located Battery Junction Box (BJB) - PCM Relay	MT0225
<b>F-100 RANGER</b>			97	4.0L 6Cyl V (245) Located Battery Junction Box (BJB) - PCM Relay	MT0225
00-97	3.0L 6Cyl V (182) Located Battery Junction Box (BJB) - PCM Relay	MT0225		2.3L 4Cyl L (140) Located Battery Junction Box (BJB) - PCM Relay	MT0225
98	2.5L 4Cyl L (153) Located Battery Junction Box (BJB) - PCM Relay	MT0225	<b>TAURUS</b>		
97	2.3L 4Cyl L (140) Located Battery Junction Box (BJB) - PCM Relay	MT0225	12-09	3.5L 6Cyl V (213) Located Battery Junction Box (BJB)	MT0225
<b>F-150</b>			<b>RELAY BLOWER MOTOR</b>		
08-04	4.2L 6Cyl V (256) Located Central Junction Box (CJB) - PCM Relay	MT0225	<b>Year Application Part No.</b>		
	4.6L 8Cyl V (281) Located Central Junction Box (CJB) - PCM Relay	MT0225	<b>EDGE</b>		
	5.4L 8Cyl V (330) Located Central Junction Box (CJB) - PCM Relay	MT0225	12	2.0L 4Cyl L (122) Located in Battery Junction Box (BJB)	MT0225
<b>F-250</b>			12-11	3.5L 6Cyl V (213) Located in Battery Junction Box (BJB)	MT0225
08-04	4.6L 8Cyl V (281) Located Central Junction Box (CJB) - PCM Relay	MT0225		3.7L 6Cyl V (227) Located in Battery Junction Box (BJB)	MT0225

Prices shown are meant to be a guide. All prices are subject to change without notice. Call for current price and availability.

**FORD (Con't)**

**FORD (Con't)**

RELAY BLOWER MOTOR (Cont'd)			RELAY COMPRESSOR CONTROL (Cont'd)		
Year	Application	Part No.	Year	Application	Part No.
<b>ESCAPE</b>			<b>E-250</b>		
12-09	2.5L 4Cyl L (152) Located in Battery Junction Box (BJB) .....	MT0225	07-03	4.6L 8Cyl V (281) Located Auxiliary Relay Box No. 1 .....	MT0225
12-11	3.0L 6Cyl V (181) Located in Battery Junction Box (BJB) .....	MT0225	03	5.4L 8Cyl V (330) Located Auxiliary Relay Box No. 1 .....	MT0225
12-08	3.0L 6Cyl V (183) Located in Battery Junction Box (BJB) .....	MT0225		4.2L 6Cyl V (256) Located Auxiliary Relay Box No. 1 .....	MT0225
08	2.3L 4Cyl L (140) Located in Battery Junction Box (BJB) .....	MT0225	<b>E-250 ECONOLINE</b>		
<b>FLEX</b>			02-97	4.2L 6Cyl V (256) Located Auxiliary Relay Box No. 1 .....	MT0225
12-09	3.5L 6Cyl V (213) Located Battery Junction Box (BJB) - Front/Main Unit .....	MT0225		5.4L 8Cyl V (330) Located Auxiliary Relay Box No. 1 .....	MT0225
<b>FOCUS</b>			<b>E-250 SUPER DUTY</b>		
12-08	2.0L 4Cyl L (121) Located Battery Junction Box (BJB) .....	MT0225	05-04	5.4L 8Cyl V (330) Located Auxiliary Relay Box No. 1 .....	MT0225
12	2.0L 4Cyl L (122) Located Battery Junction Box (BJB) .....	MT0225	<b>E-350</b>		
<b>FOCUS EUROPA</b>			03	5.4L 8Cyl V (330) Located Auxiliary Relay Box No. 1 .....	MT0225
11-10	2.0L 4Cyl L (122) Located Battery Junction Box (BJB) .....	MT0225		6.8L 10Cyl V (415) Located Auxiliary Relay Box No. 1 .....	MT0225
<b>FREESTAR</b>				7.3L 8Cyl V (445) Located Auxiliary Relay Box No. 1 .....	MT0225
07-06	3.9L 6Cyl V (238) Located Bussed Electrical Center (BEC) - Auxiliary Rear Blower ..	MT0225	<b>E-350 CLUB WAGON</b>		
04	4.2L 6Cyl V (256) Located Bussed Electrical Center (BEC) - Auxiliary Rear Blower ..	MT0225	05-03	5.4L 8Cyl V (330) Located Auxiliary Relay Box No. 1 .....	MT0225
	3.9L 6Cyl V (238) Located Bussed Electrical Center (BEC) - Auxiliary Rear Blower ..	MT0225	05-04	6.0L 8Cyl V (363) Located Auxiliary Relay Box No. 1 .....	MT0225
	4.2L 6Cyl V (256) Located Bussed Electrical Center (BEC) - Auxiliary Rear Blower ..	MT0225	05	6.8L 10Cyl V (415) Located Auxiliary Relay Box No. 1 .....	MT0225
<b>TAURUS</b>			03	6.8L 10Cyl V (415) Located Auxiliary Relay Box No. 1 .....	MT0225
12-10	3.5L 6Cyl V (213) Located Battery Junction Box (BJB) .....	MT0225		7.3L 8Cyl V (445) Located Auxiliary Relay Box No. 1 .....	MT0225
<b>RELAY COMPRESSOR CONTROL</b>			<b>E-350 ECONOLINE</b>		
Year	Application	Part No.	07	5.4L 8Cyl V (330) Located Auxiliary Relay Box No. 1 .....	MT0225
<b>CLUB WAGON</b>			02-97	5.4L 8Cyl V (330) Located Auxiliary Relay Box No. 1 .....	MT0225
98-97	5.4L 8Cyl V (330) Located Auxiliary Relay Box No. 1 .....	MT0225		6.8L 10Cyl V (415) Located Auxiliary Relay Box No. 1 .....	MT0225
<b>CROWN VICTORIA</b>				7.3L 8Cyl V (445) Located Auxiliary Relay Box No. 1 .....	MT0225
11-01	4.6L 8Cyl V (281) Located Battery Junction Box (BJB) .....	MT0225	<b>E-350 ECONOLINE CLUB WAGON</b>		
<b>E-150</b>			02-97	5.4L 8Cyl V (330) Located Auxiliary Relay Box No. 1 .....	MT0225
07-03	4.6L 8Cyl V (281) Located Auxiliary Relay Box No. 1 .....	MT0225		6.8L 10Cyl V (415) Located Auxiliary Relay Box No. 1 .....	MT0225
03	5.4L 8Cyl V (330) Located Auxiliary Relay Box No. 1 .....	MT0225		7.3L 8Cyl V (445) Located Auxiliary Relay Box No. 1 .....	MT0225
	4.2L 6Cyl V (256) Located Auxiliary Relay Box No. 1 .....	MT0225	<b>E-350 SUPER DUTY</b>		
<b>E-150 CLUB WAGON</b>			07-04	5.4L 8Cyl V (330) Located Auxiliary Relay Box No. 1 .....	MT0225
05-03	4.6L 8Cyl V (281) Located Auxiliary Relay Box No. 1 .....	MT0225		6.0L 8Cyl V (363) Located Auxiliary Relay Box No. 1 .....	MT0225
03	5.4L 8Cyl V (330) Located Auxiliary Relay Box No. 1 .....	MT0225		6.8L 10Cyl V (415) Located Auxiliary Relay Box No. 1 .....	MT0225
	4.2L 6Cyl V (256) Located Auxiliary Relay Box No. 1 .....	MT0225	<b>E-450 ECONOLINE SUPER DUTY</b>		
<b>E-150 ECONOLINE</b>			02-00	5.4L 8Cyl V (330) Located Auxiliary Relay Box No. 1 .....	MT0225
07	5.4L 8Cyl V (330) Located Auxiliary Relay Box No. 1 .....	MT0225		6.8L 10Cyl V (415) Located Auxiliary Relay Box No. 1 .....	MT0225
02-97	4.2L 6Cyl V (256) Located Auxiliary Relay Box No. 1 .....	MT0225		7.3L 8Cyl V (445) Located Auxiliary Relay Box No. 1 .....	MT0225
	4.6L 8Cyl V (281) Located Auxiliary Relay Box No. 1 .....	MT0225	<b>E-450 ECONOLINE SUPER DUTY STRIPPED</b>		
	5.4L 8Cyl V (330) Located Auxiliary Relay Box No. 1 .....	MT0225	02-00	5.4L 8Cyl V (330) Located Auxiliary Relay Box No. 1 .....	MT0225
<b>E-150 ECONOLINE CLUB WAGON</b>				6.8L 10Cyl V (415) Located Auxiliary Relay Box No. 1 .....	MT0225
02-97	4.2L 6Cyl V (256) Located Auxiliary Relay Box No. 1 .....	MT0225		7.3L 8Cyl V (445) Located Auxiliary Relay Box No. 1 .....	MT0225
	4.6L 8Cyl V (281) Located Auxiliary Relay Box No. 1 .....	MT0225	<b>E-450 SUPER DUTY</b>		
	5.4L 8Cyl V (330) Located Auxiliary Relay Box No. 1 .....	MT0225	07-06	5.4L 8Cyl V (330) Located Auxiliary Relay Box No. 1 .....	MT0225
			(Cont'd)		

Prices shown are meant to be a guide. All prices are subject to change without notice. Call for current price and availability.

FORD (Con't)			FORD (Con't)		
RELAY COMPRESSOR CONTROL (Cont'd)			RELAY COMPRESSOR CONTROL (Cont'd)		
Year	Application	Part No.	Year	Application	Part No.
<b>E-450 SUPER DUTY (Cont'd)</b>			<b>F-150 (Cont'd)</b>		
07-04	6.0L 8Cyl V (363) Located Auxiliary Relay Box No. 1	MT0225	05-04	4.6L 8Cyl V (281) Located Auxiliary Relay Box No. 1	MT0225
07-03	6.8L 10Cyl V (415) Located Auxiliary Relay Box No. 1	MT0225		5.4L 8Cyl V (330) Located Auxiliary Relay Box No. 1	MT0225
04-03	5.4L 8Cyl V (330) Located Auxiliary Relay Box No. 1	MT0225	<b>F-250</b>		
03	7.3L 8Cyl V (445) Located Auxiliary Relay Box No. 1	MT0225	05-04	4.6L 8Cyl V (281) Located Auxiliary Relay Box No. 1	MT0225
<b>E-450 SUPER DUTY STRIPPED CHASSIS</b>			<b>F-250 SUPER DUTY</b>		
03	5.4L 8Cyl V (330) Located Auxiliary Relay Box No. 1	MT0225	05-04	5.4L 8Cyl V (330) Located Auxiliary Relay Box No. 1	MT0225
	6.8L 10Cyl V (415) Located Auxiliary Relay Box No. 1	MT0225		6.0L 8Cyl V (363) Located Auxiliary Relay Box No. 1	MT0225
	7.3L 8Cyl V (445) Located Auxiliary Relay Box No. 1	MT0225		6.8L 10Cyl V (415) Located Auxiliary Relay Box No. 1	MT0225
<b>E-550 ECONOLINE SUPER DUTY</b>			<b>F-350</b>		
02	6.8L 10Cyl V (415) Located Auxiliary Relay Box No. 1	MT0225	05-04	5.4L 8Cyl V (330) Located Auxiliary Relay Box No. 1	MT0225
	7.3L 8Cyl V (445) Located Auxiliary Relay Box No. 1	MT0225	<b>F-350 SUPER DUTY</b>		
<b>E-550 SUPER DUTY</b>			05-04	5.4L 8Cyl V (330) Located Auxiliary Relay Box No. 1	MT0225
03	6.8L 10Cyl V (415) Located Auxiliary Relay Box No. 1	MT0225		6.8L 10Cyl V (415) Located Auxiliary Relay Box No. 1	MT0225
	7.3L 8Cyl V (445) Located Auxiliary Relay Box No. 1	MT0225	04	6.0L 8Cyl V (363) Located Auxiliary Relay Box No. 1	MT0225
<b>ECONOLINE</b>			<b>F-450</b>		
06-04	4.6L 8Cyl V (281) Located Auxiliary Relay Box No. 1	MT0225	05-04	6.8L 10Cyl V (415) Located Auxiliary Relay Box No. 1	MT0225
06-99	5.4L 8Cyl V (330) Located Auxiliary Relay Box No. 1	MT0225	<b>F-450 SUPER DUTY</b>		
03	4.2L 6Cyl V (256) Located Auxiliary Relay Box No. 1	MT0225	05-04	6.8L 10Cyl V (415) Located Auxiliary Relay Box No. 1	MT0225
<b>ECONOLINE SUPER DUTY</b>			04	6.0L 8Cyl V (363) Located Auxiliary Relay Box No. 1	MT0225
99-97	5.4L 8Cyl V (330) Located Auxiliary Relay Box No. 1	MT0225	<b>F-550 SUPER DUTY</b>		
	6.8L 10Cyl V (415) Located Auxiliary Relay Box No. 1	MT0225	05-04	6.8L 10Cyl V (415) Located Auxiliary Relay Box No. 1	MT0225
	7.3L 8Cyl V (445) Located Auxiliary Relay Box No. 1	MT0225	04	6.0L 8Cyl V (363) Located Auxiliary Relay Box No. 1	MT0225
<b>ESCAPE</b>			<b>FREESTYLE</b>		
07-05	2.3L 4Cyl L (140) Located in Battery Junction Box (BJB)	MT0225	06-05	3.0L 6Cyl V (183) Located in Battery Junction Box - (BJB)	MT0225
07-03	3.0L 6Cyl V (183) Located in Battery Junction Box (BJB)	MT0225	<b>FUSION</b>		
05-01	3.0L 6Cyl V (182) Located in Battery Junction Box (BJB)	MT0225	07-06	2.3L 4Cyl L (140) Located in Battery Junction Box - w/ 5 Pin	MT0225
04-01	2.0L 4Cyl L (121) Located in Battery Junction Box (BJB)	MT0225		3.0L 6Cyl V (183) Located in Battery Junction Box - w/ 5 Pin	MT0225
01	3.0L 6Cyl V (183) Located in Battery Junction Box (BJB)	MT0225	<b>GRAND MARQUIS</b>		
<b>EXPLORER</b>			04-01	4.6L 8Cyl V (281) Located Battery Junction Box (BJB)	MT0225
08-95	4.0L 6Cyl V (245) Located Battery Junction Box (BJB)	MT0225	<b>RANGER</b>		
08-02	4.6L 8Cyl V (281) Located Battery Junction Box (BJB)	MT0225	08-01	2.3L 4Cyl L (140) Located Battery Junction Box (BJB)	MT0225
01-96	5.0L 8Cyl V (302) Located Battery Junction Box (BJB)	MT0225		3.0L 6Cyl V (182) Located Battery Junction Box (BJB)	MT0225
<b>EXPLORER SPORT TRAC</b>				4.0L 6Cyl V (245) Located Battery Junction Box (BJB)	MT0225
08-07	4.0L 6Cyl V (245) Located Battery Junction Box (BJB)	MT0225	01	2.5L 4Cyl L (153) Located Battery Junction Box (BJB)	MT0225
	4.6L 8Cyl V (281) Located Battery Junction Box (BJB)	MT0225	<b>RELAY ENGINE COOLING FAN MOTOR</b>		
05-01	4.0L 6Cyl V (245) Located Battery Junction Box (BJB)	MT0225	<b>Year Application Part No.</b>		
<b>F-100 RANGER</b>			<b>CROWN VICTORIA</b>		
01	2.3L 4Cyl L (138) Located Battery Junction Box (BJB)	MT0225	11-03	4.6L 8Cyl V (281) Use PCM Relay	MT0225
	3.0L 6Cyl V (182) Located Battery Junction Box (BJB)	MT0225	<b>ESCAPE</b>		
<b>F-150</b>			12-09	2.5L 4Cyl L (152) Located Battery Junction Box (BJB) - Engine Cool Fan - Hi Speed	MT0225
05-04	4.2L 6Cyl V (256) Located Auxiliary Relay Box No. 1	MT0225	12-11	3.0L 6Cyl V (181) Located Battery Junction Box (BJB) - Engine Cool Fan - Hi Speed	MT0225
(Cont'd)			12-08	3.0L 6Cyl V (183) Located Battery Junction Box (BJB) - Engine Cool Fan - Hi Speed	MT0225
			08	2.3L 4Cyl L (140) Located Battery Junction Box (BJB) - Engine Cool Fan - Hi Speed	MT0225

Prices shown are meant to be a guide. All prices are subject to change without notice. Call for current price and availability.



**FORD (Con't)**

**FORD (Con't)**

**RELAY ENGINE COOLING FAN MOTOR (Cont'd)**

**SWITCH CLUTCH CYCLE (Cont'd)**

Year	Application	Part No.
<b>FOCUS</b>		
12-09	2.0L 4Cyl L (121) Hi Speed Control - 5 Pin .....	MT0225
12	2.0L 4Cyl L (122) Hi Speed Control - 5 Pin .....	MT0225
<b>FOCUS EUROPA</b>		
11-10	2.0L 4Cyl L (122) Hi Speed Control - 5 Pin .....	MT0225
<b>GRAND MARQUIS</b>		
04-03	4.6L 8Cyl V (281) Use PCM Relay .....	MT0225
<b>SWITCH CLUTCH CYCLE</b>		
Year	Application	Part No.
<b>AEROSTAR</b>		
97-95	3.0L 6Cyl V (182) Clutch Cycling Switch; Accumulator Mounted .....	MT0202
	4.0L 6Cyl V (245) Clutch Cycling Switch; Accumulator Mounted .....	MT0202
<b>BRONCO</b>		
96-95	5.0L 8Cyl V (302) Clutch Cycling Switch; Accumulator Mounted .....	MT0202
	5.8L 8Cyl V (351) Clutch Cycling Switch; Accumulator Mounted .....	MT0202
<b>CLUB WAGON</b>		
98-97	5.4L 8Cyl V (330) Black .....	MT0444
<b>CONTOUR</b>		
00-95	2.0L 4Cyl L (121) Clutch Cycling Switch; Accumulator Mounted; Pigtail 1711464 .....	MT0203
00-96	2.0L 4Cyl L (121) White .....	MT0887
	2.5L 6Cyl V (155) Black .....	MT0444
95	2.0L 4Cyl L (121) Black .....	MT0444
<b>CROWN VICTORIA</b>		
02-00	4.6L 8Cyl V (281) White .....	MT0887
99-95	4.6L 8Cyl V (281) Black .....	MT0444
97-95	4.6L 8Cyl V (281) Clutch Cycling Switch; Accumulator Mounted; Pigtail 1711464 .....	MT0203
<b>E-150 ECONOLINE</b>		
02-97	4.2L 6Cyl V (256) Clutch Cycling Switch; Accumulator Mounted; Pigtail 1711464 .....	MT0203
	4.6L 8Cyl V (281) Clutch Cycling Switch; Accumulator Mounted; Pigtail 1711464 .....	MT0203
	5.4L 8Cyl V (330) Clutch Cycling Switch; Accumulator Mounted; Pigtail 1711464 .....	MT0203
01-97	4.2L 6Cyl V (256) Black .....	MT0444
	4.6L 8Cyl V (281) Black .....	MT0444
	5.4L 8Cyl V (330) Black .....	MT0444
96-95	4.9L 6Cyl L (300) Clutch Cycling Switch; Accumulator Mounted .....	MT0202
	5.0L 8Cyl V (302) Clutch Cycling Switch; Accumulator Mounted .....	MT0202
	5.8L 8Cyl V (351) Clutch Cycling Switch; Accumulator Mounted .....	MT0202
<b>E-150 ECONOLINE CLUB WAGON</b>		
02-97	4.2L 6Cyl V (256) Clutch Cycling Switch; Accumulator Mounted; Pigtail 1711464 .....	MT0203
	4.6L 8Cyl V (281) Clutch Cycling Switch; Accumulator Mounted; Pigtail 1711464 .....	MT0203
	5.4L 8Cyl V (330) Clutch Cycling Switch; Accumulator Mounted; Pigtail 1711464 .....	MT0203
01-97	4.2L 6Cyl V (256) Black .....	MT0444
	4.6L 8Cyl V (281) Black .....	MT0444
	5.4L 8Cyl V (330) Black .....	MT0444
96-95	4.9L 6Cyl L (300) Clutch Cycling Switch; Accumulator Mounted .....	MT0202
	5.0L 8Cyl V (302) Clutch Cycling Switch; Accumulator Mounted .....	MT0202
	5.8L 8Cyl V (351) Clutch Cycling Switch; Accumulator Mounted .....	MT0202
(Cont'd)		

Year	Application	Part No.
<b>E-150 ECONOLINE CLUB WAGON (Cont'd)</b>		
96-95	4.9L 6Cyl L (300) Clutch Cycling Switch; Accumulator Mounted .....	MT0202
	5.0L 8Cyl V (302) Clutch Cycling Switch; Accumulator Mounted .....	MT0202
	5.8L 8Cyl V (351) Clutch Cycling Switch; Accumulator Mounted .....	MT0202
<b>E-250 ECONOLINE</b>		
02-97	4.2L 6Cyl V (256) Clutch Cycling Switch; Accumulator Mounted; Pigtail 1711464 .....	MT0203
	5.4L 8Cyl V (330) Clutch Cycling Switch; Accumulator Mounted; Pigtail 1711464 .....	MT0203
01-97	4.2L 6Cyl V (256) Black .....	MT0444
	5.4L 8Cyl V (330) Black .....	MT0444
96-95	4.9L 6Cyl L (300) Clutch Cycling Switch; Accumulator Mounted .....	MT0202
	5.8L 8Cyl V (351) Clutch Cycling Switch; Accumulator Mounted .....	MT0202
<b>E-350 ECONOLINE</b>		
02-99	5.4L 8Cyl V (330) Clutch Cycling Switch; Accumulator Mounted; Pigtail 1711464 .....	MT0203
02-97	6.8L 10Cyl V (415) Clutch Cycling Switch; Accumulator Mounted; Pigtail 1711464 .....	MT0203
	7.3L 8Cyl V (445) Clutch Cycling Switch; Accumulator Mounted; Pigtail 1711464 .....	MT0203
01-97	5.4L 8Cyl V (330) Black .....	MT0444
	6.8L 10Cyl V (415) Black .....	MT0444
	7.3L 8Cyl V (445) Black .....	MT0444
97	5.4L 8Cyl V (330) Clutch Cycling Switch; Accumulator Mounted; Pigtail 1711464 .....	MT0203
96-95	4.9L 6Cyl L (300) Clutch Cycling Switch; Accumulator Mounted .....	MT0202
	5.8L 8Cyl V (351) Clutch Cycling Switch; Accumulator Mounted .....	MT0202
	7.3L 8Cyl V (445) Clutch Cycling Switch; Accumulator Mounted .....	MT0202
	7.5L 8Cyl V (460) Clutch Cycling Switch; Accumulator Mounted .....	MT0202
<b>E-350 ECONOLINE CLUB WAGON</b>		
02-99	5.4L 8Cyl V (330) Clutch Cycling Switch; Accumulator Mounted; Pigtail 1711464 .....	MT0203
02-97	6.8L 10Cyl V (415) Clutch Cycling Switch; Accumulator Mounted; Pigtail 1711464 .....	MT0203
	7.3L 8Cyl V (445) Clutch Cycling Switch; Accumulator Mounted; Pigtail 1711464 .....	MT0203
01-97	5.4L 8Cyl V (330) Black .....	MT0444
	6.8L 10Cyl V (415) Black .....	MT0444
	7.3L 8Cyl V (445) Black .....	MT0444
97	5.4L 8Cyl V (330) Clutch Cycling Switch; Accumulator Mounted; Pigtail 1711464 .....	MT0203
96-95	4.9L 6Cyl L (300) Clutch Cycling Switch; Accumulator Mounted .....	MT0202
	5.8L 8Cyl V (351) Clutch Cycling Switch; Accumulator Mounted .....	MT0202
	7.3L 8Cyl V (445) Clutch Cycling Switch; Accumulator Mounted .....	MT0202
	7.5L 8Cyl V (460) Clutch Cycling Switch; Accumulator Mounted .....	MT0202
<b>E-450 ECONOLINE SUPER DUTY</b>		
02-00	5.4L 8Cyl V (330) Clutch Cycling Switch; Accumulator Mounted; Pigtail 1711464 .....	MT0203
	6.8L 10Cyl V (415) Clutch Cycling Switch; Accumulator Mounted; Pigtail 1711464 .....	MT0203
	7.3L 8Cyl V (445) Clutch Cycling Switch; Accumulator Mounted; Pigtail 1711464 .....	MT0203
01-00	5.4L 8Cyl V (330) Black .....	MT0444
	6.8L 10Cyl V (415) Black .....	MT0444
(Cont'd)		

Prices shown are meant to be a guide. All prices are subject to change without notice. Call for current price and availability.

FORD (Con't)			FORD (Con't)		
SWITCH CLUTCH CYCLE (Cont'd)			SWITCH CLUTCH CYCLE (Cont'd)		
Year	Application	Part No.	Year	Application	Part No.
<b>E-450 ECONOLINE SUPER DUTY (Cont'd)</b>			<b>EXCURSION (Cont'd)</b>		
01-00	7.3L 8Cyl V (445) Black	MT0444	05-00	6.8L 10Cyl V (415) White	MT0887
<b>E-450 ECONOLINE SUPER DUTY STRIPPED</b>			03-00	7.3L 8Cyl V (445) Clutch Cycling Switch; Accumulator Mounted; Pigtail 1711464	MT0203
02-00	5.4L 8Cyl V (330) Clutch Cycling Switch; Accumulator Mounted; Pigtail 1711464	MT0203		7.3L 8Cyl V (445) White	MT0887
	6.8L 10Cyl V (415) Clutch Cycling Switch; Accumulator Mounted; Pigtail 1711464	MT0203	<b>EXPEDITION</b>		
	7.3L 8Cyl V (445) Clutch Cycling Switch; Accumulator Mounted; Pigtail 1711464	MT0203	06-97	5.4L 8Cyl V (330) Black	MT0444
01-00	5.4L 8Cyl V (330) Black	MT0444	04-97	4.6L 8Cyl V (281) Black	MT0444
	6.8L 10Cyl V (415) Black	MT0444	97	4.6L 8Cyl V (281) Clutch Cycling Switch; Accumulator Mounted; Pigtail 1711464	MT0203
	7.3L 8Cyl V (445) Black	MT0444		5.4L 8Cyl V (330) Clutch Cycling Switch; Accumulator Mounted; Pigtail 1711464	MT0203
<b>E-550 ECONOLINE SUPER DUTY</b>			<b>EXPLORER</b>		
02	6.8L 10Cyl V (415) Clutch Cycling Switch; Accumulator Mounted; Pigtail 1711464	MT0203	08-02	4.0L 6Cyl V (245) White	MT0887
	7.3L 8Cyl V (445) Clutch Cycling Switch; Accumulator Mounted; Pigtail 1711464	MT0203	01-97	4.6L 8Cyl V (281) White	MT0887
<b>ECONOLINE</b>				4.0L 6Cyl V (245) Black	MT0444
02-99	5.4L 8Cyl V (330) Clutch Cycling Switch; Accumulator Mounted; Pigtail 1711464	MT0203		5.0L 8Cyl V (302) Black	MT0444
01-99	5.4L 8Cyl V (330) Black	MT0444	97	4.0L 6Cyl V (245) Clutch Cycling Switch; Accumulator Mounted; Pigtail 1711464	MT0203
<b>ECONOLINE SUPER DUTY</b>			97-96	5.0L 8Cyl V (302) Clutch Cycling Switch; Accumulator Mounted	MT0202
99-97	5.4L 8Cyl V (330) Black	MT0444	96-95	4.0L 6Cyl V (245) Clutch Cycling Switch; Accumulator Mounted	MT0202
	5.4L 8Cyl V (330) Clutch Cycling Switch; Accumulator Mounted; Pigtail 1711464	MT0203	<b>EXPLORER SPORT TRAC</b>		
	6.8L 10Cyl V (415) Black	MT0444	08-07	4.0L 6Cyl V (245) White	MT0887
	6.8L 10Cyl V (415) Clutch Cycling Switch; Accumulator Mounted; Pigtail 1711464	MT0203		4.6L 8Cyl V (281) White	MT0887
	7.3L 8Cyl V (445) Black	MT0444	05-02	4.0L 6Cyl V (245) White	MT0887
	7.3L 8Cyl V (445) Clutch Cycling Switch; Accumulator Mounted; Pigtail 1711464	MT0203	01	4.0L 6Cyl V (245) Black	MT0444
96	5.8L 8Cyl V (351) NEW; Accumulator Mounted	MT0202	<b>F-100 RANGER</b>		
	7.3L 8Cyl V (445) Clutch Cycling Switch; Accumulator Mounted	MT0202	01	2.3L 4Cyl L (138) Black	MT0444
	7.5L 8Cyl V (460) Clutch Cycling Switch; Accumulator Mounted	MT0202	01-97	3.0L 6Cyl V (182) Black	MT0444
<b>ESCAPE</b>			98	2.5L 4Cyl L (153) Black	MT0444
07-05	2.3L 4Cyl L (140) Black	MT0444	97	2.3L 4Cyl L (140) Black	MT0444
07-03	3.0L 6Cyl V (183) Black	MT0444	<b>F-150</b>		
05-01	3.0L 6Cyl V (182) Black	MT0444	08-00	4.2L 6Cyl V (256) White	MT0887
04-01	2.0L 4Cyl L (121) Black	MT0444		4.6L 8Cyl V (281) White	MT0887
01	3.0L 6Cyl V (183) Black	MT0444		5.4L 8Cyl V (330) White	MT0887
<b>ESCORT</b>			04-97	4.2L 6Cyl V (256) Black	MT0444
03-99	2.0L 4Cyl L (121) White	MT0887		4.6L 8Cyl V (281) Black	MT0444
02-97	2.0L 4Cyl L (121) Clutch Cycling Switch; Accumulator Mounted; Pigtail 1711464	MT0203		5.4L 8Cyl V (330) Black	MT0444
98-97	2.0L 4Cyl L (121) Black	MT0444	99	4.2L 6Cyl V (256) Clutch Cycling Switch; Accumulator Mounted; Pigtail 1711464	MT0203
96-95	1.8L 4Cyl L (112) Clutch Cycling Switch; Accumulator Mounted	MT0202	98-97	4.2L 6Cyl V (256) Clutch Cycling Switch; Accumulator Mounted	MT0202
<b>EXCURSION</b>				4.6L 8Cyl V (281) Clutch Cycling Switch; Accumulator Mounted	MT0202
05-00	5.4L 8Cyl V (330) Clutch Cycling Switch; Accumulator Mounted; Pigtail 1711464	MT0203		5.4L 8Cyl V (330) Clutch Cycling Switch; Accumulator Mounted	MT0202
	5.4L 8Cyl V (330) White	MT0887	96-95	4.9L 6Cyl L (300) Clutch Cycling Switch; Accumulator Mounted	MT0202
05-03	6.0L 8Cyl V (363) Clutch Cycling Switch; Accumulator Mounted; Pigtail 1711464	MT0203		5.0L 8Cyl V (302) Clutch Cycling Switch; Accumulator Mounted	MT0202
	6.0L 8Cyl V (363) White	MT0887		5.8L 8Cyl V (351) Clutch Cycling Switch; Accumulator Mounted	MT0202
05-00	6.8L 10Cyl V (415) Clutch Cycling Switch; Accumulator Mounted; Pigtail 1711464	MT0203			
(Cont'd)					

Prices shown are meant to be a guide. All prices are subject to change without notice. Call for current price and availability.

**FORD (Con't)**

**FORD (Con't)**

SWITCH CLUTCH CYCLE (Cont'd)			SWITCH CLUTCH CYCLE (Cont'd)		
Year	Application	Part No.	Year	Application	Part No.
<b>F-250</b>			<b>F-350 SUPER DUTY (Cont'd)</b>		
08-00	4.6L 8Cyl V (281) White	MT0887	07-05	5.4L 8Cyl V (330) Clutch Cycling Switch; Accumulator Mounted; Pigtail 1711464	MT0203
04-97	4.6L 8Cyl V (281) Black	MT0444		6.0L 8Cyl V (363) Clutch Cycling Switch; Accumulator Mounted; Pigtail 1711464	MT0203
01-97	5.4L 8Cyl V (330) Black	MT0444	07-03	6.0L 8Cyl V (363) White	MT0887
01-00	5.4L 8Cyl V (330) White	MT0887	07-05	6.8L 10Cyl V (415) Clutch Cycling Switch; Accumulator Mounted; Pigtail 1711464	MT0203
98-97	4.6L 8Cyl V (281) Clutch Cycling Switch; Accumulator Mounted	MT0202	03-99	7.3L 8Cyl V (445) White	MT0887
	5.4L 8Cyl V (330) Clutch Cycling Switch; Accumulator Mounted	MT0202	99	5.4L 8Cyl V (330) Clutch Cycling Switch; Accumulator Mounted; Pigtail 1711464	MT0203
97	5.8L 8Cyl V (351) Black	MT0444		6.8L 10Cyl V (415) Clutch Cycling Switch; Accumulator Mounted; Pigtail 1711464	MT0203
97-95	5.8L 8Cyl V (351) Clutch Cycling Switch; Accumulator Mounted	MT0202		7.3L 8Cyl V (445) Clutch Cycling Switch; Accumulator Mounted; Pigtail 1711464	MT0203
97	7.3L 8Cyl V (445) Black	MT0444	<b>F-450</b>		
97-95	7.3L 8Cyl V (445) Clutch Cycling Switch; Accumulator Mounted	MT0202	07-01	6.8L 10Cyl V (415) White	MT0887
97	7.5L 8Cyl V (460) Black	MT0444	<b>F-450 SUPER DUTY</b>		
97-95	7.5L 8Cyl V (460) Clutch Cycling Switch; Accumulator Mounted	MT0202	08	6.4L 8Cyl V (391) White	MT0887
96-95	4.9L 6Cyl L (300) Clutch Cycling Switch; Accumulator Mounted	MT0202	07-03	6.0L 8Cyl V (363) White	MT0887
	5.0L 8Cyl V (302) Clutch Cycling Switch; Accumulator Mounted	MT0202	07-05	6.8L 10Cyl V (415) Clutch Cycling Switch; Accumulator Mounted; Pigtail 1711464	MT0203
<b>F-250 SUPER DUTY</b>			07-00	6.8L 10Cyl V (415) White	MT0887
08-99	5.4L 8Cyl V (330) White	MT0887	06-05	6.0L 8Cyl V (363) Clutch Cycling Switch; Accumulator Mounted; Pigtail 1711464	MT0203
08	6.4L 8Cyl V (391) White	MT0887	03-00	7.3L 8Cyl V (445) White	MT0887
08-99	6.8L 10Cyl V (415) White	MT0887	99	6.8L 10Cyl V (415) Clutch Cycling Switch; Accumulator Mounted; Pigtail 1711464	MT0203
07-05	5.4L 8Cyl V (330) Clutch Cycling Switch; Accumulator Mounted; Pigtail 1711464	MT0203		7.3L 8Cyl V (445) Clutch Cycling Switch; Accumulator Mounted; Pigtail 1711464	MT0203
	6.0L 8Cyl V (363) Clutch Cycling Switch; Accumulator Mounted; Pigtail 1711464	MT0203	<b>F-550 SUPER DUTY</b>		
07-03	6.0L 8Cyl V (363) White	MT0887	07-05	6.0L 8Cyl V (363) Clutch Cycling Switch; Accumulator Mounted; Pigtail 1711464	MT0203
07-05	6.8L 10Cyl V (415) Clutch Cycling Switch; Accumulator Mounted; Pigtail 1711464	MT0203	07-03	6.0L 8Cyl V (363) White	MT0887
03-99	7.3L 8Cyl V (445) White	MT0887	07-05	6.8L 10Cyl V (415) Clutch Cycling Switch; Accumulator Mounted; Pigtail 1711464	MT0203
99	5.4L 8Cyl V (330) Clutch Cycling Switch; Accumulator Mounted; Pigtail 1711464	MT0203	07-99	6.8L 10Cyl V (415) White	MT0887
	6.8L 10Cyl V (415) Clutch Cycling Switch; Accumulator Mounted; Pigtail 1711464	MT0203	03-99	7.3L 8Cyl V (445) White	MT0887
	7.3L 8Cyl V (445) Clutch Cycling Switch; Accumulator Mounted; Pigtail 1711464	MT0203	99	6.8L 10Cyl V (415) Clutch Cycling Switch; Accumulator Mounted; Pigtail 1711464	MT0203
				7.3L 8Cyl V (445) Clutch Cycling Switch; Accumulator Mounted; Pigtail 1711464	MT0203
<b>F-350</b>			<b>FOCUS</b>		
08-00	5.4L 8Cyl V (330) White	MT0887	06-00	2.0L 4Cyl L (121) White	MT0887
04-99	5.4L 8Cyl V (330) Black	MT0444	06-03	2.3L 4Cyl L (140) White	MT0887
97	5.8L 8Cyl V (351) Black	MT0444	<b>FREESTAR</b>		
97-95	5.8L 8Cyl V (351) Clutch Cycling Switch; Accumulator Mounted	MT0202	07-04	3.9L 6Cyl V (238) White	MT0887
97	7.3L 8Cyl V (445) Black	MT0444		4.2L 6Cyl V (256) White	MT0887
97-95	7.3L 8Cyl V (445) Clutch Cycling Switch; Accumulator Mounted	MT0202	<b>GRAND MARQUIS</b>		
97	7.5L 8Cyl V (460) Black	MT0444	02-00	4.6L 8Cyl V (281) White	MT0887
97-95	7.5L 8Cyl V (460) Clutch Cycling Switch; Accumulator Mounted	MT0202	99-95	4.6L 8Cyl V (281) Black	MT0444
96-95	4.9L 6Cyl L (300) Clutch Cycling Switch; Accumulator Mounted	MT0202	<b>GT</b>		
<b>F-350 SUPER DUTY</b>			06-05	5.4L 8Cyl V (330) White	MT0887
08-99	5.4L 8Cyl V (330) White	MT0887	<b>MUSTANG</b>		
08	6.4L 8Cyl V (391) White	MT0887	09-05	4.0L 6Cyl V (245) White	MT0887
08-99	6.8L 10Cyl V (415) White	MT0887	09-99	4.6L 8Cyl V (281) White	MT0887
(Cont'd)			(Cont'd)		

Prices shown are meant to be a guide. All prices are subject to change without notice. Call for current price and availability.

FORD (Con't)			FORD (Con't)		
SWITCH CLUTCH CYCLE (Cont'd)			SWITCH CLUTCH CYCLE (Cont'd)		
Year	Application	Part No.	Year	Application	Part No.
<b>MUSTANG (Cont'd)</b>			<b>TAURUS (Cont'd)</b>		
09-07	5.4L 8Cyl V (330) White	MT0887	95	3.2L 6Cyl V (195) Clutch Cycling Switch; Accumulator Mounted	MT0202
04-98	3.8L 6Cyl V (232) Clutch Cycling Switch; Accumulator Mounted; Pigtail 1711464	MT0203		3.8L 6Cyl V (232) Black	MT0444
04-99	3.8L 6Cyl V (232) White	MT0887		3.8L 6Cyl V (232) Clutch Cycling Switch; Accumulator Mounted	MT0202
04	3.9L 6Cyl V (238) Clutch Cycling Switch; Accumulator Mounted; Pigtail 1711464	MT0203	<b>THUNDERBIRD</b>		
	3.9L 6Cyl V (238) White	MT0887	97	3.8L 6Cyl V (232) Black	MT0444
04-96	4.6L 8Cyl V (281) Clutch Cycling Switch; Accumulator Mounted; Pigtail 1711464	MT0203		3.8L 6Cyl V (232) Clutch Cycling Switch; Accumulator Mounted; Pigtail 1711464	MT0203
00	5.4L 8Cyl V (330) White	MT0887		4.6L 8Cyl V (281) Black	MT0444
99-96	3.8L 6Cyl V (232) Black	MT0444	97-95	4.6L 8Cyl V (281) Clutch Cycling Switch; Accumulator Mounted	MT0202
	4.6L 8Cyl V (281) Black	MT0444	95	3.8L 6Cyl V (232) Clutch Cycling Switch; Accumulator Mounted; Pigtail 1711464	MT0203
96	3.8L 6Cyl V (232) Clutch Cycling Switch; Accumulator Mounted; Pigtail 1711464	MT0203	<b>WINDSTAR</b>		
95	3.8L 6Cyl V (232) Clutch Cycling Switch; Accumulator Mounted	MT0202	03-96	3.8L 6Cyl V (232) Black	MT0444
	5.0L 8Cyl V (302) Clutch Cycling Switch; Accumulator Mounted	MT0202	00-96	3.0L 6Cyl V (182) Black	MT0444
<b>MYSTIQUE</b>			98-95	3.0L 6Cyl V (182) AC Cmpr Low Press Cut-Out Switch	MT0202
00-97	2.5L 6Cyl V (155) Black	MT0444		3.8L 6Cyl V (232) AC Cmpr Low Press Cut-Out Switch	MT0202
96	2.5L 6Cyl V (153) Black	MT0444	<b>SWITCH PRESSURE TRANSDUCER</b>		
<b>PROBE</b>			<b>Year</b>	<b>Application</b>	<b>Part No.</b>
97-95	2.0L 4Cyl L (122) Clutch Cycling Switch; Accumulator Mounted	MT0202	<b>FUSION</b>		
	2.5L 6Cyl V (152) Clutch Cycling Switch; Accumulator Mounted	MT0202	12-10	2.5L 4Cyl L (152) 3 Terminals	MT1247
<b>RANGER</b>			12-11	2.5L 4Cyl L (153) 3 Terminals	MT1247
08-01	2.3L 4Cyl L (140) Black	MT0444		3.0L 6Cyl V (181) 3 Terminals	MT1247
08-97	3.0L 6Cyl V (182) Black	MT0444	12-06	3.0L 6Cyl V (183) 3 Terminals	MT1247
	4.0L 6Cyl V (245) Black	MT0444	12-10	3.5L 6Cyl V (213) 3 Terminals	MT1247
01-98	2.5L 4Cyl L (153) Black	MT0444	12-11	3.5L 6Cyl V (214) 3 Terminals	MT1247
97	2.3L 4Cyl L (140) Black	MT0444	10-06	2.3L 4Cyl L (140) 3 Terminals	MT1247
97-95	2.3L 4Cyl L (140) Clutch Cycling Switch; Accumulator Mounted	MT0202	<b>GEO</b>		
	3.0L 6Cyl V (182) Clutch Cycling Switch; Accumulator Mounted	MT0202	<b>ACCUMULATOR &amp; RECEIVER DRIERS</b>		
	4.0L 6Cyl V (245) Clutch Cycling Switch; Accumulator Mounted	MT0202	<b>Year</b>	<b>Application</b>	<b>Part No.</b>
<b>SABLE</b>			<b>PRIZM</b>		
01-97	3.0L 6Cyl V (183) White	MT0887	97-95	1.6L 4Cyl L (98) 7 In Tall w/ Dowell Hole To Center	37-13997
96	3.0L 6Cyl V (183) Black	MT0444		1.8L 4Cyl L (110) 7 In Tall w/ Dowell Hole To Center	37-13997
95	3.8L 6Cyl V (232) Black	MT0444	<b>EXPANSION VALVES</b>		
<b>TAURUS</b>			<b>Year</b>	<b>Application</b>	<b>Part No.</b>
01-96	3.0L 6Cyl V (182) Clutch Cycling Switch; Accumulator Mounted; Pigtail 1711464	MT0203	<b>PRIZM</b>		
01-97	3.0L 6Cyl V (182) White	MT0887	97-95	1.6L 4Cyl L (98) New: OS	31-30935-AM
99-96	3.4L 8Cyl V (207) Clutch Cycling Switch; Accumulator Mounted; Pigtail 1711464	MT0203		1.8L 4Cyl L (110) New: OS	31-30935-AM
99-97	3.4L 8Cyl V (207) White	MT0887	<b>GMC</b>		
96-95	3.0L 6Cyl V (182) Black	MT0444	<b>ACCUMULATOR &amp; RECEIVER DRIERS</b>		
96	3.4L 8Cyl V (207) Black	MT0444	<b>Year</b>	<b>Application</b>	<b>Part No.</b>
95	3.0L 6Cyl V (182) Clutch Cycling Switch; Accumulator Mounted	MT0202	<b>C1500</b>		
(Cont'd)	3.2L 6Cyl V (195) Black	MT0444	99-96	5.0L 8Cyl V (305)	37-23391
				5.7L 8Cyl V (350)	37-23391
			98-96	4.3L 6Cyl V (262)	37-23391
			97-96	6.5L 8Cyl V (395)	37-23391
			<b>C2500</b>		
			00-96	5.7L 8Cyl V (350)	37-23391
			(Cont'd)	6.5L 8Cyl V (395)	37-23391

Prices shown are meant to be a guide. All prices are subject to change without notice. Call for current price and availability.

**GMC (Con't)**

**GMC (Con't)**

**ACCUMULATOR & RECEIVER DRIERS (Cont'd)**

**Year Application Part No.**

**C2500 (Cont'd)**

00-96	7.4L 8Cyl V (454)	37-23391
98-96	5.0L 8Cyl V (305)	37-23391

**C3500**

00-96	5.7L 8Cyl V (350)	37-23391
	6.5L 8Cyl V (395)	37-23391
	7.4L 8Cyl V (454)	37-23391

**K1500**

99-96	5.0L 8Cyl V (305)	37-23391
	5.7L 8Cyl V (350)	37-23391
98-96	4.3L 6Cyl V (262)	37-23391
	6.5L 8Cyl V (395)	37-23391

**K1500 SUBURBAN**

99-96	5.7L 8Cyl V (350)	37-23391
	6.5L 8Cyl V (395)	37-23391

**K2500**

00-96	5.7L 8Cyl V (350)	37-23391
	6.5L 8Cyl V (395)	37-23391
	7.4L 8Cyl V (454)	37-23391
98	5.0L 8Cyl V (305)	37-23391

**K2500 SUBURBAN**

99-96	5.7L 8Cyl V (350)	37-23391
	6.5L 8Cyl V (395)	37-23391
	7.4L 8Cyl V (454)	37-23391

**K3500**

00-96	5.7L 8Cyl V (350)	37-23391
	6.5L 8Cyl V (395)	37-23391
	7.4L 8Cyl V (454)	37-23391

**SIERRA 2500**

04-99	6.0L 8Cyl V (364)	37-23502
00-99	5.3L 8Cyl V (323)	37-23502

**SIERRA C3**

01	6.0L 8Cyl V (364)	37-23502
----	-------------------	----------

**YUKON**

99	5.7L 8Cyl V (350) w/o Rear A/C	37-23391
----	-----------------------------------	----------

**YUKON XL 1500**

06	5.3L 8Cyl V (325) Single Outlet	37-23531
	5.3L 8Cyl V (325) w/o Rear A/C	37-23502
05-01	5.3L 8Cyl V (323) Single Outlet	37-23531
	5.3L 8Cyl V (323) w/o Rear A/C	37-23502
02-01	6.0L 8Cyl V (364) w/o Rear A/C	37-23502
	6.0L 8Cyl V (364) w/ Rear AC	37-23531

**YUKON XL 2500**

08-07	6.0L 8Cyl V (364) w/o Rear A/C	37-23502
	6.0L 8Cyl V (364) w/ Rear AC; 2nd Design	37-23531

**AUTOMOTIVE KITS**

**Year Application Part No.**

**SIERRA 1500**

06-00	4.8L 8Cyl V (294) NEW; O	96-23923
06	5.3L 8Cyl V (325) NEW; O	96-23923

**SIERRA 2500**

00-99	6.0L 8Cyl V (364) NEW; O	96-23923
-------	-----------------------------	----------

**SIERRA 2500 HD**

06	8.1L 8Cyl V (496) NEW; O	96-23923
----	-----------------------------	----------

**AUTOMOTIVE KITS (Cont'd)**

**Year Application Part No.**

**SIERRA 3500**

07	8.1L 8Cyl V (496) NEW; O	96-25383
06-01	8.1L 8Cyl V (496) NEW; O	96-23923

**SONOMA**

03-98	2.2L 4Cyl L (134) NEW; O	96-24062
-------	-----------------------------	----------

**YUKON**

06-00	4.8L 8Cyl V (294) NEW; O	96-23923
06-05	5.3L 8Cyl V (325) NEW; O	96-23923
	6.0L 8Cyl V (364) NEW; O	96-23923
04-00	5.3L 8Cyl V (323) NEW; O	96-23923
99	5.7L 8Cyl V (350) NEW; O	96-26099

**YUKON XL 1500**

06	5.3L 8Cyl V (325) NEW; O	96-25383
05-00	5.3L 8Cyl V (323) NEW; O	96-25383

**COMPRESSORS**

**Year Application Part No.**

**CANYON**

12-09	5.3L 8Cyl V (325) Denso: 10S20F; PV4	20-21711-AM
-------	---	-------------

**G3500**

96	5.7L 8Cyl V (350) HT6; PV6; 2:00 Coil; 4.33in Dia	20-10694-AM
	6.5L 8Cyl V (395) HT6; PV6; 2:00 Coil; 4.33in Dia	20-10694-AM
	7.4L 8Cyl V (454) HT6; PV6; 2:00 Coil; 4.33in Dia	20-10694-AM

**JIMMY**

05	4.3L 6Cyl V (4294) HT6; PV6; 2:00 Coil; 4.33in Dia	20-10694-AM
04-02	4.3L 6Cyl V (262) HT6; PV6; 2:00 Coil; 4.33in Dia	20-10694-AM
01	4.3L 6Cyl V (262) New	20-10694-AM
00-99	4.3L 6Cyl V (262) HT6; PV6; 2:00 Coil; 4.33in Dia	20-10694-AM

**SAVANA 1500**

12-06	5.3L 8Cyl V (325) Denso: 10S20F; PV4	20-21711-AM
05-03	5.3L 8Cyl V (323) Denso: 10S20F; PV4	20-21711-AM
02-96	4.3L 6Cyl V (262) HT6; PV6; 2:00 Coil; 4.33in Dia	20-10694-AM
	5.0L 8Cyl V (305) HT6; PV6; 2:00 Coil; 4.33in Dia	20-10694-AM
	5.7L 8Cyl V (350) HT6; PV6; 2:00 Coil; 4.33in Dia	20-10694-AM

**SAVANA 2500**

15-13	4.8L 8Cyl V (294)	20-21711-AM
	6.0L 8Cyl V (364)	20-21711-AM
12-03	4.8L 8Cyl V (294) Denso: 10S20F; PV4	20-21711-AM
	6.0L 8Cyl V (364) Denso: 10S20F; PV4	20-21711-AM
05-03	5.3L 8Cyl V (323) Denso: 10S20F; PV4	20-21711-AM
02-96	4.3L 6Cyl V (262) HT6; PV6; 2:00 Coil; 4.33in Dia	20-10694-AM
	5.0L 8Cyl V (305) HT6; PV6; 2:00 Coil; 4.33in Dia	20-10694-AM
	5.7L 8Cyl V (350) HT6; PV6; 2:00 Coil; 4.33in Dia	20-10694-AM
	6.5L 8Cyl V (395) HT6; PV6; 2:00 Coil; 4.33in Dia	20-10694-AM

Prices shown are meant to be a guide. All prices are subject to change without notice. Call for current price and availability.

GMC (Con't)			GMC (Con't)		
COMPRESSORS (Cont'd)			COMPRESSORS (Cont'd)		
Year	Application	Part No.	Year	Application	Part No.
<b>SAVANA 3500</b>			<b>SIERRA 2500 HD (Cont'd)</b>		
15-13	4.8L 8Cyl V (294)	20-21711-AM	07-03	8.1L 8Cyl V (496)	20-21711-AM
	6.0L 8Cyl V (364)	20-21711-AM		Denso; 10S20F; PV4	
12-04	4.8L 8Cyl V (294)	20-21711-AM	02	6.0L 8Cyl V (364)	20-21711-AM
	Denso; 10S20F; PV4			Denso; 10S20F; PV4; New	
12-03	6.0L 8Cyl V (364)	20-21711-AM	02-01	6.6L 8Cyl V (400)	20-10694-AM
	Denso; 10S20F; PV4			HT6; PV6; 2:00 Coil; 4.33in Dia; New	
02-96	5.7L 8Cyl V (350)	20-10694-AM	02	8.1L 8Cyl V (496)	20-21711-AM
	HT6; PV6; 2:00 Coil; 4.33in Dia			Denso; 10S20F; PV4; New	
	6.5L 8Cyl V (395)	20-10694-AM	<b>SIERRA 3500</b>		
	HT6; PV6; 2:00 Coil; 4.33in Dia		07-03	6.0L 8Cyl V (364)	20-21711-AM
02-01	8.1L 8Cyl V (496)	20-10694-AM		Denso; 10S20F; PV4	
	HT6; PV6; 2:00 Coil; 4.33in Dia			8.1L 8Cyl V (496)	20-21711-AM
00-96	7.4L 8Cyl V (454)	20-10694-AM		Denso; 10S20F; PV4	
	HT6; PV6; 2:00 Coil; 4.33in Dia		02	6.0L 8Cyl V (364)	20-21711-AM
<b>SAVANA 4500</b>				Denso; 10S20F; PV4; New	
15-09	6.0L 8Cyl V (364)	20-21711-AM	02-01	6.6L 8Cyl V (400)	20-10694-AM
<b>SIERRA</b>				HT6; PV6; 2:00 Coil; 4.33in Dia; New	
14-13	5.3L 8Cyl V (325)	20-21711-AM	02	8.1L 8Cyl V (496)	20-21711-AM
14-11	6.2L 8Cyl V (376)	20-21711-AM		Denso; 10S20F; PV4; New	
12	5.3L 8Cyl V (325)	20-21711-AM	<b>SIERRA 3500 HD</b>		
	Denso; 10S20F; PV4		14-13	6.0L 8Cyl V (364)	20-21711-AM
11	5.3L 8Cyl V (325)	20-21711-AM	12-07	6.0L 8Cyl V (364)	20-21711-AM
10-07	5.3L 8Cyl V (325)	20-21711-AM		Denso; 10S20F; PV4	
	Denso; 10S20F; PV4		<b>SONOMA</b>		
10-08	6.2L 8Cyl V (378)	20-21711-AM	04-98	4.3L 6Cyl V (262)	20-10694-AM
	Denso; 10S20F; PV4			HT6; PV6; 2:00 Coil; 4.33in Dia	
<b>SIERRA 1500</b>			<b>YUKON</b>		
15-13	5.3L 8Cyl V (325)	20-21711-AM	14-12	5.3L 8Cyl V (325)	20-21711-AM
	6.2L 8Cyl V (376)	20-21711-AM	14-11	6.2L 8Cyl V (376)	20-21711-AM
13	4.8L 8Cyl V (294)	20-21711-AM	13-12	6.0L 8Cyl V (364)	20-21711-AM
	6.0L 8Cyl V (364)	20-21711-AM	11-05	5.3L 8Cyl V (325)	20-21711-AM
12-03	4.8L 8Cyl V (294)	20-21711-AM		Denso; 10S20F; PV4	
	Denso; 10S20F; PV4		11-08	6.0L 8Cyl V (364)	20-21711-AM
12-08	5.3L 8Cyl V (325)	20-21711-AM		Denso; 10S20F; PV4	
	Denso; 10S20F; PV4		11-09	6.2L 8Cyl V (376)	20-21711-AM
	6.0L 8Cyl V (364)	20-21711-AM		Denso; 10S20F; PV4	
	Denso; 10S20F; PV4		09-03	4.8L 8Cyl V (294)	20-21711-AM
12-09	6.2L 8Cyl V (376)	20-21711-AM		Denso; 10S20F; PV4	
	Denso; 10S20F; PV4		09-07	6.2L 8Cyl V (378)	20-21711-AM
08-07	6.2L 8Cyl V (378)	20-21711-AM		Denso; 10S20F; PV4	
06	5.3L 8Cyl V (325)	20-21711-AM	06-03	6.0L 8Cyl V (364)	20-21711-AM
	Denso; 10S20F; PV4			Denso; 10S20F; PV4	
06-05	6.0L 8Cyl V (364)	20-21711-AM	05-03	5.3L 8Cyl V (323)	20-21711-AM
	Denso; 10S20F; PV4			Denso; 10S20F; PV4	
05-03	5.3L 8Cyl V (323)	20-21711-AM	02	5.3L 8Cyl V (323)	20-21711-AM
	Denso; 10S20F; PV4			Denso; 10S20F; PV4; New; w/Rear Air	
04-03	6.0L 8Cyl V (364)	20-21711-AM		6.0L 8Cyl V (364)	20-21711-AM
02-00	4.3L 6Cyl V (262)	20-10694-AM		Denso; 10S20F; PV4; New; w/Rear Air	
	HT6; PV6; 2:00 Coil; 4.33in Dia; New		01-00	5.3L 8Cyl V (323)	20-21711-AM
02	4.8L 8Cyl V (294)	20-21711-AM		Denso; 10S20F; PV4	
	Denso; 10S20F; PV4; New		01	6.0L 8Cyl V (364)	20-21711-AM
	5.3L 8Cyl V (323)	20-21711-AM		Denso; 10S20F; PV4	
	Denso; 10S20F; PV4; New		00	4.8L 8Cyl V (294)	20-21711-AM
	6.0L 8Cyl V (364)	20-21711-AM		Denso; 10S20F; PV4	
	Denso; 10S20F; PV4; New			5.7L 8Cyl V (350)	20-21711-AM
99	4.3L 6Cyl V (262)	20-10694-AM		Denso; 10S20F; PV4	
	HT6; PV6; 2:00 Coil; 4.33in Dia		<b>YUKON XL 1500</b>		
<b>SIERRA 1500 HD</b>			14-12	5.3L 8Cyl V (325)	20-21711-AM
07	6.0L 8Cyl V (364)	20-21711-AM		6.2L 8Cyl V (376)	20-21711-AM
	Denso; 10S20F; PV4		11-06	5.3L 8Cyl V (325)	20-21711-AM
02	6.0L 8Cyl V (364)	20-21711-AM		Denso; 10S20F; PV4	
	Denso; 10S20F; PV4; New		11-09	6.2L 8Cyl V (376)	20-21711-AM
<b>SIERRA 2500</b>				Denso; 10S20F; PV4	
02	6.0L 8Cyl V (364)	20-21711-AM	09-03	6.0L 8Cyl V (364)	20-21711-AM
	Denso; 10S20F; PV4; New			Denso; 10S20F; PV4	
00	5.3L 8Cyl V (323)	20-21711-AM	08-07	6.2L 8Cyl V (378)	20-21711-AM
	Denso; 10S20F; PV4; New			Denso; 10S20F; PV4	
	6.0L 8Cyl V (364)	20-21711-AM	05-03	5.3L 8Cyl V (323)	20-21711-AM
	Denso; 10S20F; PV4; New			Denso; 10S20F; PV4	
<b>SIERRA 2500 HD</b>			02-00	5.3L 8Cyl V (323)	20-21711-AM
14-13	6.0L 8Cyl V (364)	20-21711-AM		Denso; 10S20F; PV4; New; w/Rear Air	
12-03	6.0L 8Cyl V (364)	20-21711-AM	02-01	6.0L 8Cyl V (364)	20-21711-AM
	Denso; 10S20F; PV4			Denso; 10S20F; PV4; New; w/Rear Air	
(Cont'd)					

Prices shown are meant to be a guide. All prices are subject to change without notice. Call for current price and availability.

**GMC (Con't)**

**GMC (Con't)**

**COMPRESSORS (Cont'd)**

Year	Application	Part No.
<b>YUKON XL 2500</b>		
13-12	6.0L 8Cyl V (364)	20-21711-AM
11-03	6.0L 8Cyl V (364) Denso; 10S20F; PV4	20-21711-AM
06-03	8.1L 8Cyl V (496) w/ Clutch; New	20-21711-AM
02-00	6.0L 8Cyl V (364) Denso; 10S20F; PV4; New; w/Rear Air	20-21711-AM
02-01	8.1L 8Cyl V (496) Denso; 10S20F; PV4; New; w/Rear Air	20-21711-AM

**EVAPORATOR CORES**

Year	Application	Part No.
------	-------------	----------

**C1500**

99-96	5.0L 8Cyl V (305)	27-30444
	5.7L 8Cyl V (350)	27-30444
98-96	4.3L 6Cyl V (262)	27-30444
97-96	6.5L 8Cyl V (395)	27-30444

**C2500**

00-96	5.7L 8Cyl V (350)	27-30444
	6.5L 8Cyl V (395)	27-30444
	7.4L 8Cyl V (454)	27-30444
98-96	5.0L 8Cyl V (305)	27-30444

**C2500 SUBURBAN**

99-95	5.7L 8Cyl V (350)	27-30444
	5.7L 8Cyl V (350), Front	27-30444
	6.5L 8Cyl V (395)	27-30444
	6.5L 8Cyl V (395), Front	27-30444
	7.4L 8Cyl V (454)	27-30444
	7.4L 8Cyl V (454), Front	27-30444

**C3500**

00-96	5.7L 8Cyl V (350)	27-30444
	6.5L 8Cyl V (395)	27-30444
	7.4L 8Cyl V (454)	27-30444

**K1500**

99	5.0L 8Cyl V (305), Front PLATE FIN	27-30444
	5.7L 8Cyl V (350), Front PLATE FIN	27-30444
	N/A	27-30444
98	4.3L 6Cyl V (262)	27-30444
	5.0L 8Cyl V (305)	27-30444
	5.7L 8Cyl V (350)	27-30444
	6.5L 8Cyl V (395)	27-30444

**K1500 SUBURBAN**

99-98	5.7L 8Cyl V (350)	27-30444
	6.5L 8Cyl V (395)	27-30444
97-95	5.7L 8Cyl V (350), Front	27-30444
	6.5L 8Cyl V (395), Front	27-30444

**K2500**

00-98	5.7L 8Cyl V (350), Front PLATE FIN	27-30444
	6.5L 8Cyl V (395), Front PLATE FIN	27-30444
	7.4L 8Cyl V (454), Front PLATE FIN	27-30444
00-96	N/A	27-30444
98	5.0L 8Cyl V (305), Front PLATE FIN	27-30444

**K2500 SUBURBAN**

99-98	5.7L 8Cyl V (350)	27-30444
	6.5L 8Cyl V (395)	27-30444
	7.4L 8Cyl V (454)	27-30444
97-95	5.7L 8Cyl V (350), Front	27-30444
	6.5L 8Cyl V (395), Front	27-30444
	7.4L 8Cyl V (454), Front	27-30444

**K3500**

00-98	5.7L 8Cyl V (350), Front PLATE FIN	27-30444
	6.5L 8Cyl V (395), Front PLATE FIN	27-30444

(Cont'd)

**EVAPORATOR CORES (Cont'd)**

Year	Application	Part No.
------	-------------	----------

**K3500 (Cont'd)**

00-98	7.4L 8Cyl V (454), Front PLATE FIN	27-30444
00-95	N/A	27-30444

**SIERRA 1500**

14-13	N/A	
12-08	2 DR Std cab; ext cab w/ATC RPO (CJ2)	27-33819
	4.3L 6Cyl V (262)	
	2 DR Std cab; ext cab w/ATC RPO (CJ2)	27-33819
	4.8L 8Cyl V (294)	
	2 DR Std cab; ext cab w/ATC RPO (CJ2)	27-33819
12	5.3L 8Cyl V (325) with Automatic Temperature Control; w/o Center Console	27-33819
12-08	6.0L 8Cyl V (364)	
	2 DR Std cab; ext cab w/ATC RPO (CJ2)	27-33819
12-09	6.2L 8Cyl V (376)	
	2 DR Std cab; ext cab w/ATC RPO (CJ2)	27-33819
11-08	5.3L 8Cyl V (325)	
	2 DR Std cab; ext cab w/ATC RPO (CJ2)	27-33819
07-03	4.3L 6Cyl V (262) except ext cab w/air flow through center console RPO (D07)	27-33819
	4.8L 8Cyl V (294) except ext cab w/air flow through center console RPO (D07)	27-33819
07-06	5.3L 8Cyl V (325) except ext cab w/air flow through center console RPO (D07)	27-33819
07-05	6.0L 8Cyl V (364) except ext cab w/air flow through center console RPO (D07)	27-33819
05-03	5.3L 8Cyl V (323) except ext cab w/air flow through center console RPO (D07)	27-33819
02-99	4.3L 6Cyl V (262)	27-30498
	4.8L 8Cyl V (294)	27-30498
	5.3L 8Cyl V (323)	27-30498

**SIERRA 1500 HD**

06-05	6.0L 8Cyl V (364) except ext cab w/air flow through center console RPO (D07)	27-33819
	6.0L 8Cyl V (364), Front except ext cab w/air flow through center console RPO (D07)	27-33819
03	6.0L 8Cyl V (364) except ext cab w/air flow through center console RPO (D07)	27-33819
	6.0L 8Cyl V (364), Front except ext cab w/air flow through center console RPO (D07)	27-33819
02-01	6.0L 8Cyl V (364)	27-30498
	6.0L 8Cyl V (364), Front PLATE FIN	27-30498

**SIERRA 2500**

04-03	6.0L 8Cyl V (364) except ext cab w/air flow through center console RPO (D07)	27-33819
02-99	6.0L 8Cyl V (364)	27-30498
02-01	6.0L 8Cyl V (364), Front PLATE FIN	27-30498
00-99	5.3L 8Cyl V (323)	27-30498

**SIERRA 2500 HD**

14-13	N/A	
12-08	2 DR Std cab; ext cab w/ATC RPO (CJ2)	27-33819
	6.0L 8Cyl V (364)	
	2 DR Std cab; ext cab w/ATC RPO (CJ2)	27-33819
	6.6L 8Cyl V (400)	
	2 DR Std cab; ext cab w/ATC RPO (CJ2)	27-33819
07-03	6.0L 8Cyl V (364) except ext cab w/air flow through center console RPO (D07)	27-33819
	6.6L 8Cyl V (400) except ext cab w/air flow through center console RPO (D07)	27-33819
	8.1L 8Cyl V (496) except ext cab w/air flow through center console RPO (D07)	27-33819
04	6.6L 8Cyl V (403) except ext cab w/air flow through center console RPO (D07)	27-33819
02-01	6.0L 8Cyl V (364)	27-30498
	6.6L 8Cyl V (400)	27-30498
	8.1L 8Cyl V (496)	27-30498

**SIERRA 3500**

07-03	6.0L 8Cyl V (364) except ext cab w/air flow through center console RPO (D07)	27-33819
	6.6L 8Cyl V (400) except ext cab w/air flow through center console RPO (D07)	27-33819
	8.1L 8Cyl V (496) except ext cab w/air flow through center console RPO (D07)	27-33819

(Cont'd)

Prices shown are meant to be a guide. All prices are subject to change without notice. Call for current price and availability.

GMC (Con't)			GMC (Con't)		
EVAPORATOR CORES (Cont'd)			EVAPORATOR CORES (Cont'd)		
Year	Application	Part No.	Year	Application	Part No.
<b>SIERRA 3500 (Cont'd)</b>			<b>YUKON XL 1500 (Cont'd)</b>		
04	6.6L 8Cyl V (403) except ext cab w/air flow through center console RPO (D07)	27-33819	06	5.3L 8Cyl V (325) Front A/C; Plate Fin	27-33819
02-01	6.0L 8Cyl V (364)	27-30498	05-03	5.3L 8Cyl V (323) Front A/C; Plate Fin	27-33819
	6.6L 8Cyl V (400)	27-30498	02-00	5.3L 8Cyl V (323) Front A/C	27-30498
	8.1L 8Cyl V (496)	27-30498			
<b>SIERRA 3500 HD</b>			<b>YUKON XL 2500</b>		
14-13	N/A 2 DR Std cab; ext cab w/ATC RPO (CJ2)	27-33819	13-12	N/A FRONT PLATE/FIN	27-33819
12-08	6.0L 8Cyl V (364) 2 DR Std cab; ext cab w/ATC RPO (CJ2)	27-33819	11	6.0L 8Cyl V (364), Front	27-33819
	6.6L 8Cyl V (400) 2 DR Std cab; ext cab w/ATC RPO (CJ2)	27-33819	10	Front	27-33819
07	6.0L 8Cyl V (364) except ext cab w/air flow through center console RPO (D07)	27-33819	08	Front	27-33819
	6.6L 8Cyl V (400) except ext cab w/air flow through center console RPO (D07)	27-33819	07-03	6.0L 8Cyl V (364) Front A/C; Plate Fin	27-33819
			06-03	8.1L 8Cyl V (496) Front A/C; Plate Fin	27-33819
<b>SIERRA C3</b>			02-01	6.0L 8Cyl V (364) Front A/C	27-30498
01	6.0L 8Cyl V (364)	27-30498		8.1L 8Cyl V (496) Front A/C	27-30498
	6.0L 8Cyl V (364), Front PLATE FIN	27-30498	00	6.0L 8Cyl V (364)	27-30498
<b>YUKON</b>			<b>EXPANSION VALVE ORIFICE TUBES</b>		
14-12	5.3L 8Cyl V (325)	27-33819	<b>Year</b>	<b>Application</b>	<b>Part No.</b>
14-11	N/A FRONT PLATE/FIN	27-33819	<b>C1500</b>		
13-12	6.0L 8Cyl V (364)	27-33819	99-95	5.0L 8Cyl V (305) Black; Optional Auto Adj Orifice Tube 3411303	MT0098-1
10-09	6.0L 8Cyl V (364), Front	27-33819		5.0L 8Cyl V (305) Variable Orifice Tube - Condenser Mounted - Improved A/C System Performance in Hot Climates and City Driving	MT0628
	6.2L 8Cyl V (376), Front	27-33819		5.7L 8Cyl V (350) Black; Optional Auto Adj Orifice Tube 3411303	MT0098-1
09	4.8L 8Cyl V (294), Front	27-33819		5.7L 8Cyl V (350) Variable Orifice Tube - Condenser Mounted - Improved A/C System Performance in Hot Climates and City Driving	MT0628
	5.3L 8Cyl V (325), Front	27-33819	98-95	4.3L 6Cyl V (262) Black; Optional Auto Adj Orifice Tube 3411303	MT0098-1
	6.2L 8Cyl V (378), Front	27-33819		4.3L 6Cyl V (262) Variable Orifice Tube - Condenser Mounted - Improved A/C System Performance in Hot Climates and City Driving	MT0628
08	4.8L 8Cyl V (294) Front A/C; Plate Fin	27-33819	97-95	6.5L 8Cyl V (395) Black; Optional Auto Adj Orifice Tube 3411303	MT0098-1
	5.3L 8Cyl V (325) Front A/C; Plate Fin	27-33819		6.5L 8Cyl V (395) Variable Orifice Tube - Condenser Mounted - Improved A/C System Performance in Hot Climates and City Driving	MT0628
	6.0L 8Cyl V (364) Front A/C; Plate Fin	27-33819	<b>C1500 SUBURBAN</b>		
	6.2L 8Cyl V (378) Front A/C; Plate Fin	27-33819	99-96	5.7L 8Cyl V (350) Black	MT0098-1
07	4.8L 8Cyl V (294), Front	27-33819	99-95	5.7L 8Cyl V (350) Variable Orifice Tube - Condenser Mounted - Improved A/C System Performance in Hot Climates and City Driving	MT0628
	5.3L 8Cyl V (325), Front	27-33819	99-96	6.5L 8Cyl V (395) Black	MT0098-1
	6.2L 8Cyl V (378), Front	27-33819	99-95	6.5L 8Cyl V (395) Variable Orifice Tube - Condenser Mounted - Improved A/C System Performance in Hot Climates and City Driving	MT0628
06-03	4.8L 8Cyl V (294) Front A/C; Plate Fin	27-33819	95	5.7L 8Cyl V (350), Front Black; Optional Auto Adj Orifice Tube 3411303	MT0098-1
06-05	5.3L 8Cyl V (325) Front A/C; Plate Fin	27-33819		6.5L 8Cyl V (395), Front Black; Optional Auto Adj Orifice Tube 3411303	MT0098-1
	6.0L 8Cyl V (364) Front A/C; Plate Fin	27-33819	<b>C2500</b>		
05-03	5.3L 8Cyl V (323) Front A/C; Plate Fin	27-33819	00-95	5.7L 8Cyl V (350) Black; Optional Auto Adj Orifice Tube 3411303	MT0098-1
02-00	4.8L 8Cyl V (294) Front A/C	27-30498		5.7L 8Cyl V (350) Variable Orifice Tube - Condenser Mounted - Improved A/C System Performance in Hot Climates and City Driving	MT0628
	5.3L 8Cyl V (323) Front A/C	27-30498		6.5L 8Cyl V (395) Black; Optional Auto Adj Orifice Tube 3411303	MT0098-1
00	5.7L 8Cyl V (350)	27-30444		6.5L 8Cyl V (395) Variable Orifice Tube - Condenser Mounted - Improved A/C System Performance in Hot Climates and City Driving	MT0628
99-98	5.7L 8Cyl V (350) Front A/C	27-30444		7.4L 8Cyl V (454) Black; Optional Auto Adj Orifice Tube 3411303	MT0098-1
	5.7L 8Cyl V (350)	27-30444		7.4L 8Cyl V (454) Variable Orifice Tube - Condenser Mounted - Improved A/C System Performance in Hot Climates and City Driving	MT0628
97-95	6.5L 8Cyl V (395)	27-30444			
96-95	Front	27-30444			
<b>YUKON XL 1500</b>					
14-12	5.3L 8Cyl V (325)	27-33819			
	N/A FRONT PLATE/FIN	27-33819			
11	5.3L 8Cyl V (325), Front	27-33819			
	6.2L 8Cyl V (376), Front	27-33819			
10	5.3L 8Cyl V (325), Front NEW	27-33819			
	6.2L 8Cyl V (376), Front AM	27-33819			
09-07	5.3L 8Cyl V (325), Front	27-33819			
	6.0L 8Cyl V (364), Front	27-33819			
09	6.2L 8Cyl V (376), Front	27-33819			
08-07	6.2L 8Cyl V (378), Front	27-33819			
(Cont'd)			(Cont'd)		

Prices shown are meant to be a guide. All prices are subject to change without notice. Call for current price and availability.



**GMC (Con't)**

**GMC (Con't)**

**EXPANSION VALVE ORIFICE TUBES (Cont'd)**

**EXPANSION VALVE ORIFICE TUBES (Cont'd)**

Year	Application	Part No.
<b>C2500 (Cont'd)</b>		
98-95	5.0L 8Cyl V (305) Black; Optional Auto Adj Orifice Tube 3411303 .....	MT0098-1
	5.0L 8Cyl V (305) Variable Orifice Tube - Condenser Mounted - Improved A/C System Performance in Hot Climates and City Driving .....	MT0628
95	4.3L 6Cyl V (262) Black; Optional Auto Adj Orifice Tube 3411303 .....	MT0098-1
	4.3L 6Cyl V (262) Variable Orifice Tube - Condenser Mounted - Improved A/C System Performance in Hot Climates and City Driving .....	MT0628
<b>C2500 SUBURBAN</b>		
99-95	5.7L 8Cyl V (350) Black .....	MT0098-1
	5.7L 8Cyl V (350) Variable Orifice Tube - Condenser Mounted - Improved A/C System Performance in Hot Climates and City Driving .....	MT0628
	6.5L 8Cyl V (395) Black .....	MT0098-1
	6.5L 8Cyl V (395) Variable Orifice Tube - Condenser Mounted - Improved A/C System Performance in Hot Climates and City Driving .....	MT0628
	7.4L 8Cyl V (454) Black .....	MT0098-1
	7.4L 8Cyl V (454) Variable Orifice Tube - Condenser Mounted - Improved A/C System Performance in Hot Climates and City Driving .....	MT0628
95	5.7L 8Cyl V (350), Front Black; Optional Auto Adj Orifice Tube 3411303 .....	MT0098-1
	6.5L 8Cyl V (395), Front Black; Optional Auto Adj Orifice Tube 3411303 .....	MT0098-1
	7.4L 8Cyl V (454), Front Black; Optional Auto Adj Orifice Tube 3411303 .....	MT0098-1
<b>C3500</b>		
00-95	5.7L 8Cyl V (350) Black; Optional Auto Adj Orifice Tube 3411303 .....	MT0098-1
	5.7L 8Cyl V (350) Variable Orifice Tube - Condenser Mounted - Improved A/C System Performance in Hot Climates and City Driving .....	MT0628
	6.5L 8Cyl V (395) Black; Optional Auto Adj Orifice Tube 3411303 .....	MT0098-1
	6.5L 8Cyl V (395) Variable Orifice Tube - Condenser Mounted - Improved A/C System Performance in Hot Climates and City Driving .....	MT0628
	7.4L 8Cyl V (454) Black; Optional Auto Adj Orifice Tube 3411303 .....	MT0098-1
	7.4L 8Cyl V (454) Variable Orifice Tube - Condenser Mounted - Improved A/C System Performance in Hot Climates and City Driving .....	MT0628
<b>ENVOY</b>		
09-02	4.2L 6Cyl L (256) EVAPORATOR MOUNTING .....	MT0097-1
09-06	5.3L 8Cyl V (325) EVAPORATOR MOUNTING .....	MT0097-1
05	5.3L 8Cyl V (323) EVAPORATOR MOUNTING .....	MT0097-1
<b>G1500</b>		
95	4.3L 6Cyl V (262) EVAPORATOR MOUNTING .....	MT0097-1
	5.0L 8Cyl V (305) EVAPORATOR MOUNTING .....	MT0097-1
<b>G2500</b>		
95	4.3L 6Cyl V (262) EVAPORATOR MOUNTING .....	MT0097-1
	5.0L 8Cyl V (305) EVAPORATOR MOUNTING .....	MT0097-1
	5.7L 8Cyl V (350) EVAPORATOR MOUNTING .....	MT0097-1
	6.5L 8Cyl V (395) EVAPORATOR MOUNTING .....	MT0097-1
<b>G3500</b>		
96-95	5.7L 8Cyl V (350) EVAPORATOR MOUNTING .....	MT0097-1
	6.5L 8Cyl V (395) EVAPORATOR MOUNTING .....	MT0097-1
	7.4L 8Cyl V (454) EVAPORATOR MOUNTING .....	MT0097-1
(Cont'd)		

Year	Application	Part No.
95	4.3L 6Cyl V (262) EVAPORATOR MOUNTING .....	MT0097-1
<b>JIMMY</b>		
05	4.3L 6Cyl V (4294) EVAPORATOR MOUNTING .....	MT0097-1
04-95	4.3L 6Cyl V (262) EVAPORATOR MOUNTING .....	MT0097-1
<b>K1500</b>		
99-95	5.0L 8Cyl V (305) Black; Optional Auto Adj Orifice Tube 3411303 .....	MT0098-1
	5.0L 8Cyl V (305) Variable Orifice Tube - Condenser Mounted - Improved A/C System Performance in Hot Climates and City Driving .....	MT0628
	5.7L 8Cyl V (350) Black; Optional Auto Adj Orifice Tube 3411303 .....	MT0098-1
	5.7L 8Cyl V (350) Variable Orifice Tube - Condenser Mounted - Improved A/C System Performance in Hot Climates and City Driving .....	MT0628
98-95	4.3L 6Cyl V (262) Black; Optional Auto Adj Orifice Tube 3411303 .....	MT0098-1
	4.3L 6Cyl V (262) Variable Orifice Tube - Condenser Mounted - Improved A/C System Performance in Hot Climates and City Driving .....	MT0628
	6.5L 8Cyl V (395) Black; Optional Auto Adj Orifice Tube 3411303 .....	MT0098-1
	6.5L 8Cyl V (395) Variable Orifice Tube - Condenser Mounted - Improved A/C System Performance in Hot Climates and City Driving .....	MT0628
<b>K1500 SUBURBAN</b>		
99-95	5.7L 8Cyl V (350) Variable Orifice Tube - Condenser Mounted - Improved A/C System Performance in Hot Climates and City Driving .....	MT0628
	6.5L 8Cyl V (395) Variable Orifice Tube - Condenser Mounted - Improved A/C System Performance in Hot Climates and City Driving .....	MT0628
95	5.7L 8Cyl V (350), Front Front; Black; Optional Auto Adj Orifice Tube 3411303 .....	MT0098-1
	6.5L 8Cyl V (395), Front Front; Black; Optional Auto Adj Orifice Tube 3411303 .....	MT0098-1
<b>K2500</b>		
00-95	5.7L 8Cyl V (350) Black; Optional Auto Adj Orifice Tube 3411303 .....	MT0098-1
	5.7L 8Cyl V (350) Variable Orifice Tube - Condenser Mounted - Improved A/C System Performance in Hot Climates and City Driving .....	MT0628
	6.5L 8Cyl V (395) Black; Optional Auto Adj Orifice Tube 3411303 .....	MT0098-1
	6.5L 8Cyl V (395) Variable Orifice Tube - Condenser Mounted - Improved A/C System Performance in Hot Climates and City Driving .....	MT0628
	7.4L 8Cyl V (454) Black; Optional Auto Adj Orifice Tube 3411303 .....	MT0098-1
	7.4L 8Cyl V (454) Variable Orifice Tube - Condenser Mounted - Improved A/C System Performance in Hot Climates and City Driving .....	MT0628
98	5.0L 8Cyl V (305) Black; Optional Auto Adj Orifice Tube 3411303 .....	MT0098-1
	5.0L 8Cyl V (305) Variable Orifice Tube - Condenser Mounted - Improved A/C System Performance in Hot Climates and City Driving .....	MT0628
95	4.3L 6Cyl V (262) Black; Optional Auto Adj Orifice Tube 3411303 .....	MT0098-1
	4.3L 6Cyl V (262) Variable Orifice Tube - Condenser Mounted - Improved A/C System Performance in Hot Climates and City Driving .....	MT0628
	5.0L 8Cyl V (305) Black; Optional Auto Adj Orifice Tube 3411303 .....	MT0098-1
	5.0L 8Cyl V (305) Variable Orifice Tube - Condenser Mounted - Improved A/C System Performance in Hot Climates and City Driving .....	MT0628
<b>K2500 SUBURBAN</b>		
99-95	5.7L 8Cyl V (350) Variable Orifice Tube - Condenser Mounted - Improved A/C System Performance in Hot Climates and City Driving .....	MT0628
	6.5L 8Cyl V (395) Variable Orifice Tube - Condenser Mounted - Improved A/C System Performance in Hot Climates and City Driving .....	MT0628
(Cont'd)		

Prices shown are meant to be a guide. All prices are subject to change without notice. Call for current price and availability.

GMC (Con't)			GMC (Con't)		
EXPANSION VALVE ORIFICE TUBES (Cont'd)			EXPANSION VALVE ORIFICE TUBES (Cont'd)		
Year	Application	Part No.	Year	Application	Part No.
<b>K2500 SUBURBAN (Cont'd)</b>			<b>SAVANA 3500 (Cont'd)</b>		
99-95	7.4L 8Cyl V (454) Variable Orifice Tube - Condenser Mounted - Improved A/C System Performance in Hot Climates and City Driving	MT0628	98-96	6.5L 8Cyl V (395) EVAPORATOR MOUNTING	MT0097-1
95	5.7L 8Cyl V (350), Front Front: Black: Optional Auto Adj Orifice Tube 3411303	MT0098-1		7.4L 8Cyl V (454) EVAPORATOR MOUNTING	MT0097-1
	6.5L 8Cyl V (395), Front Front: Black: Optional Auto Adj Orifice Tube 3411303	MT0098-1	<b>SIERRA 1500</b>		
	7.4L 8Cyl V (454), Front Front: Black: Optional Auto Adj Orifice Tube 3411303	MT0098-1	06	4.3L 6Cyl V (262) First Design - 13mm - Black and White - Front/Main Unit - Condenser Mounted; Optional Auto Adj Orifice Tube 3411303	MT0098-1
<b>K3500</b>			06-99	4.3L 6Cyl V (262) Variable Orifice Tube - Condenser Mounted - Improved A/C System Performance in Hot Climates and City Driving	MT0628
00-95	5.7L 8Cyl V (350) Black: Optional Auto Adj Orifice Tube 3411303	MT0098-1	06	4.8L 8Cyl V (294) First Design - 13mm - Black and White - Front/Main Unit - Condenser Mounted	MT0098-1
	5.7L 8Cyl V (350) Variable Orifice Tube - Condenser Mounted - Improved A/C System Performance in Hot Climates and City Driving	MT0628	06-99	4.8L 8Cyl V (294) Variable Orifice Tube - Condenser Mounted - Improved A/C System Performance in Hot Climates and City Driving	MT0628
	6.5L 8Cyl V (395) Black: Optional Auto Adj Orifice Tube 3411303	MT0098-1	06	5.3L 8Cyl V (325) First Design - 13mm - Black and White - Front/Main Unit - Condenser Mounted	MT0098-1
	6.5L 8Cyl V (395) Variable Orifice Tube - Condenser Mounted - Improved A/C System Performance in Hot Climates and City Driving	MT0628		5.3L 8Cyl V (325) First Design - 13mm - Black and White - Front/Main Unit - Condenser Mounted; Optional Auto Adj Orifice Tube 3411303	MT0098-1
	7.4L 8Cyl V (454) Black: Optional Auto Adj Orifice Tube 3411303	MT0098-1		5.3L 8Cyl V (325) Variable Orifice Tube - Condenser Mounted - Improved A/C System Performance in Hot Climates and City Driving	MT0628
	7.4L 8Cyl V (454) Variable Orifice Tube - Condenser Mounted - Improved A/C System Performance in Hot Climates and City Driving	MT0628	<b>SAFARI</b>		
<b>SAFARI</b>			05-00	4.3L 6Cyl V (262) EVAPORATOR MOUNTING	MT0097-1
<b>SAVANA 1500</b>			<b>SAVANA 1500</b>		
10	4.3L 6Cyl V (262)	MT0097-1	10	4.3L 6Cyl V (262)	MT0097-1
	5.3L 8Cyl V (325)	MT0097-1		5.3L 8Cyl V (325)	MT0097-1
09-96	4.3L 6Cyl V (262) EVAPORATOR MOUNTING	MT0097-1	09-96	4.3L 6Cyl V (262) EVAPORATOR MOUNTING	MT0097-1
09-06	5.3L 8Cyl V (325) EVAPORATOR MOUNTING	MT0097-1	09-06	5.3L 8Cyl V (325) EVAPORATOR MOUNTING	MT0097-1
05-03	5.3L 8Cyl V (323) EVAPORATOR MOUNTING	MT0097-1	05-03	5.3L 8Cyl V (323) EVAPORATOR MOUNTING	MT0097-1
02-96	5.0L 8Cyl V (305) EVAPORATOR MOUNTING	MT0097-1	02-96	5.0L 8Cyl V (305) EVAPORATOR MOUNTING	MT0097-1
	5.7L 8Cyl V (350) EVAPORATOR MOUNTING	MT0097-1		5.7L 8Cyl V (350) EVAPORATOR MOUNTING	MT0097-1
<b>SAVANA 2500</b>			<b>SIERRA 1500 HD</b>		
09-03	GAS, 4.8L 8Cyl V (294) EVAPORATOR MOUNTING	MT0097-1	06-05	6.0L 8Cyl V (364) Black: Optional Auto Adj Orifice Tube 3411303	MT0098-1
	GAS, 6.0L 8Cyl V (364) EVAPORATOR MOUNTING	MT0097-1		6.0L 8Cyl V (364) Variable Orifice Tube - Condenser Mounted - Improved A/C System Performance in Hot Climates and City Driving	MT0628
05-99	GAS, 4.3L 6Cyl V (262) EVAPORATOR MOUNTING	MT0097-1	03-01	6.0L 8Cyl V (364) Black: Optional Auto Adj Orifice Tube 3411303	MT0098-1
05-03	GAS, 5.3L 8Cyl V (323) EVAPORATOR MOUNTING	MT0097-1		6.0L 8Cyl V (364) Variable Orifice Tube - Condenser Mounted - Improved A/C System Performance in Hot Climates and City Driving	MT0628
02-99	GAS, 5.0L 8Cyl V (305) EVAPORATOR MOUNTING	MT0097-1	<b>SIERRA 2500</b>		
	GAS, 5.7L 8Cyl V (350) EVAPORATOR MOUNTING	MT0097-1	04-99	6.0L 8Cyl V (364) Black: Optional Auto Adj Orifice Tube 3411303	MT0098-1
98	4.3L 6Cyl V (262) EVAPORATOR MOUNTING	MT0097-1		6.0L 8Cyl V (364) Variable Orifice Tube - Condenser Mounted - Improved A/C System Performance in Hot Climates and City Driving	MT0628
98-96	5.0L 8Cyl V (305) EVAPORATOR MOUNTING	MT0097-1	00-99	5.3L 8Cyl V (323) Black: Optional Auto Adj Orifice Tube 3411303	MT0098-1
	5.7L 8Cyl V (350) EVAPORATOR MOUNTING	MT0097-1		5.3L 8Cyl V (323) Variable Orifice Tube - Condenser Mounted - Improved A/C System Performance in Hot Climates and City Driving	MT0628
	6.5L 8Cyl V (395) EVAPORATOR MOUNTING	MT0097-1	<b>SIERRA 2500 HD</b>		
<b>SAVANA 3500</b>			07-01	6.6L 8Cyl V (400) Black: Optional Auto Adj Orifice Tube 3411303	MT0098-1
09-04	GAS, 4.8L 8Cyl V (294) EVAPORATOR MOUNTING	MT0097-1	06-01	6.0L 8Cyl V (364) Black: Optional Auto Adj Orifice Tube 3411303	MT0098-1
09-03	GAS, 6.0L 8Cyl V (364) EVAPORATOR MOUNTING	MT0097-1		6.0L 8Cyl V (364) Variable Orifice Tube - Condenser Mounted - Improved A/C System Performance in Hot Climates and City Driving	MT0628
02-99	GAS, 5.7L 8Cyl V (350) EVAPORATOR MOUNTING	MT0097-1		6.6L 8Cyl V (400) Variable Orifice Tube - Condenser Mounted - Improved A/C System Performance in Hot Climates and City Driving	MT0628
02-01	GAS, 8.1L 8Cyl V (496) EVAPORATOR MOUNTING	MT0097-1		6.6L 8Cyl V (400) Variable Orifice Tube - Condenser Mounted - Improved A/C System Performance in Hot Climates and City Driving	MT0628
00-99	GAS, 7.4L 8Cyl V (454) EVAPORATOR MOUNTING	MT0097-1		8.1L 8Cyl V (496) Black: Optional Auto Adj Orifice Tube 3411303	MT0098-1
98-96	5.7L 8Cyl V (350) EVAPORATOR MOUNTING	MT0097-1	<b>(Cont'd)</b>		
<b>(Cont'd)</b>			<b>(Cont'd)</b>		

Prices shown are meant to be a guide. All prices are subject to change without notice. Call for current price and availability.

**GMC (Con't)**

**GMC (Con't)**

**EXPANSION VALVE ORIFICE TUBES (Cont'd)**

**EXPANSION VALVE ORIFICE TUBES (Cont'd)**

Year	Application	Part No.
<b>SIERRA 2500 HD (Cont'd)</b>		
06-01	8.1L 8Cyl V (496) Variable Orifice Tube - Condenser Mounted - Improved A/C System Performance in Hot Climates and City Driving	MT0628
04	6.6L 8Cyl V (403) Variable Orifice Tube - Condenser Mounted - Improved A/C System Performance in Hot Climates and City Driving	MT0628
<b>SIERRA 3500</b>		
07-01	6.6L 8Cyl V (400) Black; Optional Auto Adj Orifice Tube 3411303	MT0098-1
06-01	6.0L 8Cyl V (364) Black; Optional Auto Adj Orifice Tube 3411303	MT0098-1
	6.0L 8Cyl V (364) Variable Orifice Tube - Condenser Mounted - Improved A/C System Performance in Hot Climates and City Driving	MT0628
	6.6L 8Cyl V (400) Variable Orifice Tube - Condenser Mounted - Improved A/C System Performance in Hot Climates and City Driving	MT0628
	8.1L 8Cyl V (496) Black; Optional Auto Adj Orifice Tube 3411303	MT0098-1
	8.1L 8Cyl V (496) Variable Orifice Tube - Condenser Mounted - Improved A/C System Performance in Hot Climates and City Driving	MT0628
04	6.6L 8Cyl V (403) Variable Orifice Tube - Condenser Mounted - Improved A/C System Performance in Hot Climates and City Driving	MT0628
<b>SIERRA C3</b>		
01	6.0L 8Cyl V (364) Black; Optional Auto Adj Orifice Tube 3411303	MT0098-1
	6.0L 8Cyl V (364) Variable Orifice Tube - Condenser Mounted - Improved A/C System Performance in Hot Climates and City Driving	MT0628
<b>SONOMA</b>		
04-95	4.3L 6Cyl V (262) EVAPORATOR MOUNTING	MT0097-1
03-95	2.2L 4Cyl L (134) EVAPORATOR MOUNTING	MT0097-1
<b>YUKON</b>		
09-07	4.8L 8Cyl V (294) First Design - 13mm - Black and White - Front/Main Unit - Condenser Mounted; Optional Auto Adj Orifice Tube 3411303	MT0098-1
	5.3L 8Cyl V (325) First Design - 13mm - Black and White - Front/Main Unit - Condenser Mounted; Optional Auto Adj Orifice Tube 3411303	MT0098-1
08	6.0L 8Cyl V (364), Front First Design - 13mm - Black and White - Front/Main Unit - Condenser Mounted; Optional Auto Adj Orifice Tube 3411303	MT0098-1
06-00	4.8L 8Cyl V (294) Variable Orifice Tube - Condenser Mounted - Improved A/C System Performance in Hot Climates and City Driving	MT0628
06-05	4.8L 8Cyl V (294), Front First Design - 13mm - Black and White - Front/Main Unit - Condenser Mounted; Optional Auto Adj Orifice Tube 3411303	MT0098-1
	5.3L 8Cyl V (325) First Design - 13mm - Black and White - Front/Main Unit - Condenser Mounted	MT0098-1
	5.3L 8Cyl V (325) Variable Orifice Tube - Condenser Mounted - Improved A/C System Performance in Hot Climates and City Driving	MT0628
	6.0L 8Cyl V (364) First Design - 13mm - Black and White - Front/Main Unit - Condenser Mounted	MT0098-1
06-01	6.0L 8Cyl V (364) Variable Orifice Tube - Condenser Mounted - Improved A/C System Performance in Hot Climates and City Driving	MT0628
05	5.3L 8Cyl V (323) First Design - 13mm - Black and White - Front/Main Unit - Condenser Mounted	MT0098-1
05-00	5.3L 8Cyl V (323) Variable Orifice Tube - Condenser Mounted - Improved A/C System Performance in Hot Climates and City Driving	MT0628
04-01	4.8L 8Cyl V (294) 1ST DESIGN; 13mm; Black/White; W/O REAR A/C	MT0098-1
	4.8L 8Cyl V (294), Front Front; Black; Optional Auto Adj Orifice Tube 3411303	MT0098-1
	5.3L 8Cyl V (323) 1ST DESIGN; 13mm; Black/White; W/O REAR A/C	MT0098-1
00	4.8L 8Cyl V (294) Black	MT0098-1

(Cont'd)

Year	Application	Part No.
<b>YUKON (Cont'd)</b>		
00	4.8L 8Cyl V (294), Front Black; Optional Auto Adj Orifice Tube 3411303	MT0098-1
	5.3L 8Cyl V (323) Black	MT0098-1
00-95	5.7L 8Cyl V (350) Variable Orifice Tube - Condenser Mounted - Improved A/C System Performance in Hot Climates and City Driving	MT0628
99-96	5.7L 8Cyl V (350) Black	MT0098-1
97-96	6.5L 8Cyl V (395) Black	MT0098-1
97-95	6.5L 8Cyl V (395) Variable Orifice Tube - Condenser Mounted - Improved A/C System Performance in Hot Climates and City Driving	MT0628
95	5.7L 8Cyl V (350) 1ST DESIGN; 13mm; Black/White; W/O REAR A/C	MT0098-1
	5.7L 8Cyl V (350), Front Front; Black; Optional Auto Adj Orifice Tube 3411303	MT0098-1
	6.5L 8Cyl V (395) 1ST DESIGN; 13mm; Black/White; W/O REAR A/C	MT0098-1
	6.5L 8Cyl V (395), Front Front; Black; Optional Auto Adj Orifice Tube 3411303	MT0098-1
<b>YUKON XL 1500</b>		
09-07	5.3L 8Cyl V (325) Black; Optional Auto Adj Orifice Tube 3411303	MT0098-1
08-07	6.0L 8Cyl V (364), Front Front; Black; Optional Auto Adj Orifice Tube 3411303	MT0098-1
06	5.3L 8Cyl V (325) Variable Orifice Tube - Condenser Mounted - Improved A/C System Performance in Hot Climates and City Driving	MT0628
06-01	6.0L 8Cyl V (364) Variable Orifice Tube - Condenser Mounted - Improved A/C System Performance in Hot Climates and City Driving	MT0628
05-00	5.3L 8Cyl V (323) Variable Orifice Tube - Condenser Mounted - Improved A/C System Performance in Hot Climates and City Driving	MT0628
02	6.0L 8Cyl V (364) Black; Optional Auto Adj Orifice Tube 3411303	MT0098-1
01	6.0L 8Cyl V (364), Front Front; Black; Optional Auto Adj Orifice Tube 3411303	MT0098-1
00	5.3L 8Cyl V (323), Front Black; Optional Auto Adj Orifice Tube 3411303	MT0098-1
<b>YUKON XL 2500</b>		
08-00	6.0L 8Cyl V (364), Front Front; Black; Optional Auto Adj Orifice Tube 3411303	MT0098-1
06-00	6.0L 8Cyl V (364) Variable Orifice Tube - Condenser Mounted - Improved A/C System Performance in Hot Climates and City Driving	MT0628
06-01	8.1L 8Cyl V (496) Variable Orifice Tube - Condenser Mounted - Improved A/C System Performance in Hot Climates and City Driving	MT0628
<b>EXPANSION VALVES</b>		
Year	Application	Part No.
<b>SIERRA 1500</b>		
12-11	6.0L 8Cyl V (364) OS	31-31098
<b>SIERRA 2500 HD</b>		
12-11	6.0L 8Cyl V (364) OS	31-31098
<b>SIERRA 3500 HD</b>		
12-11	6.0L 8Cyl V (364) OS	31-31098
<b>YUKON</b>		
11	6.2L 8Cyl V (376), Rear Rear A/C; OS	31-31098
<b>YUKON XL 1500</b>		
13-12	Rear OS	31-31098
11-10	5.3L 8Cyl V (325), Rear OS	31-31098
	6.2L 8Cyl V (376), Rear OS	31-31098
09-07	5.3L 8Cyl V (325), Rear Rear A/C; OS	31-31098

(Cont'd)

Prices shown are meant to be a guide. All prices are subject to change without notice. Call for current price and availability.

GMC (Con't)			GMC (Con't)		
EXPANSION VALVES (Cont'd)			SWITCH CLUTCH CYCLE (Cont'd)		
Year	Application	Part No.	Year	Application	Part No.
<b>YUKON XL 1500 (Cont'd)</b>			<b>G3500</b>		
09-07	6.0L 8Cyl V (364), Rear Rear A/C: OS	31-31098	96-95	5.7L 8Cyl V (350)	MT0206
09	6.2L 8Cyl V (376), Rear Rear A/C: OS	31-31098		6.5L 8Cyl V (395)	MT0206
08-07	6.2L 8Cyl V (378), Rear Rear A/C: OS	31-31098	95	7.4L 8Cyl V (454)	MT0206
<b>YUKON XL 2500</b>				4.3L 6Cyl V (262)	MT0206
13-11	6.0L 8Cyl V (364), Rear OS	31-31098	<b>JIMMY</b>		
10-07	6.0L 8Cyl V (364), Rear Rear A/C: OS	31-31098	05	4.3L 6Cyl V (4294)	MT0205
<b>HOSE ASSEMBLIES MANIFOLD</b>			04-95	4.3L 6Cyl V (262)	MT0205
<b>C1500</b>			<b>K1500</b>		
99-96	5.0L 8Cyl V (305)	34-63394	99-95	5.0L 8Cyl V (305)	MT0205
	5.7L 8Cyl V (350)	34-63394		5.7L 8Cyl V (350)	MT0205
<b>C1500 SUBURBAN</b>			98-95	4.3L 6Cyl V (262)	MT0205
99-96	GAS, 5.7L 8Cyl V (350) W/O REAR A/C	34-63394		6.5L 8Cyl V (395)	MT0205
<b>C2500</b>			<b>K1500 SUBURBAN</b>		
00-96	GAS, 5.7L 8Cyl V (350)	34-63394	99-95	5.7L 8Cyl V (350)	MT0205
98-96	GAS, 5.0L 8Cyl V (305)	34-63394		6.5L 8Cyl V (395)	MT0205
<b>C2500 SUBURBAN</b>			<b>K2500</b>		
99-96	GAS, 5.7L 8Cyl V (350) W/O REAR A/C	34-63394	00-95	5.7L 8Cyl V (350)	MT0205
<b>C3500</b>				6.5L 8Cyl V (395)	MT0205
00-96	GAS, 5.7L 8Cyl V (350)	34-63394		7.4L 8Cyl V (454)	MT0205
<b>K1500</b>			98	5.0L 8Cyl V (305)	MT0205
99	5.0L 8Cyl V (305)	34-63394	95	4.3L 6Cyl V (262)	MT0205
	5.7L 8Cyl V (350)	34-63394		5.0L 8Cyl V (305)	MT0205
98-96	GAS, 5.0L 8Cyl V (305)	34-63394	<b>K2500 SUBURBAN</b>		
	GAS, 5.7L 8Cyl V (350)	34-63394	99-95	5.7L 8Cyl V (350)	MT0205
<b>K2500</b>				6.5L 8Cyl V (395)	MT0205
00-96	GAS, 5.7L 8Cyl V (350)	34-63394		7.4L 8Cyl V (454)	MT0205
98	GAS, 5.0L 8Cyl V (305)	34-63394	<b>K3500</b>		
<b>SWITCH CLUTCH CYCLE</b>			00-95	5.7L 8Cyl V (350)	MT0205
<b>C1500</b>				6.5L 8Cyl V (395)	MT0205
99-95	5.0L 8Cyl V (305)	MT0205		7.4L 8Cyl V (454)	MT0205
	5.7L 8Cyl V (350)	MT0205	<b>P3500</b>		
98-95	4.3L 6Cyl V (262)	MT0205	99-97	4.3L 6Cyl V (262)	MT0206
97-95	6.5L 8Cyl V (395)	MT0205		5.7L 8Cyl V (350)	MT0206
<b>C1500 SUBURBAN</b>				6.5L 8Cyl V (395)	MT0206
99-95	5.7L 8Cyl V (350)	MT0205	99-95	7.4L 8Cyl V (454)	MT0206
	6.5L 8Cyl V (395)	MT0205		4.3L 6Cyl V (262)	MT0205
<b>C2500 SUBURBAN</b>			96	5.7L 8Cyl V (350)	MT0205
99-95	5.7L 8Cyl V (350)	MT0205		6.5L 8Cyl V (395)	MT0205
	6.5L 8Cyl V (395)	MT0205		4.3L 6Cyl V (262)	MT0206
	7.4L 8Cyl V (454)	MT0205	95	5.7L 8Cyl V (350)	MT0206
<b>ENVOY</b>				6.5L 8Cyl V (395)	MT0206
09-03	4.2L 6Cyl L (256) Clutch Cycling Switch; Accumulator Mounted	MT0968	<b>SAFARI</b>		
09-08	5.3L 8Cyl V (325) Clutch Cycling Switch; Accumulator Mounted	MT0968	02-96	4.3L 6Cyl V (262) Clutch Cycling Switch; Accumulator Mounted	MT0968
06	5.3L 8Cyl V (325) Clutch Cycling Switch; Accumulator Mounted	MT0968	<b>SAVANA 1500</b>		
05	5.3L 8Cyl V (323) Clutch Cycling Switch; Accumulator Mounted	MT0968	07-00	4.3L 6Cyl V (262) Clutch Cycling Switch; Accumulator Mounted	MT0968
02	4.2L 6Cyl L (256)	MT0968	07-06	5.3L 8Cyl V (325) Clutch Cycling Switch; Accumulator Mounted	MT0968
<b>G1500</b>			05-03	5.3L 8Cyl V (323) Clutch Cycling Switch; Accumulator Mounted	MT0968
95	4.3L 6Cyl V (262)	MT0206	02-00	5.0L 8Cyl V (305) Clutch Cycling Switch; Accumulator Mounted	MT0968
	5.0L 8Cyl V (305)	MT0206		5.7L 8Cyl V (350) Clutch Cycling Switch; Accumulator Mounted	MT0968
<b>G2500</b>			96	4.3L 6Cyl V (262)	MT0205
95	4.3L 6Cyl V (262)	MT0206		5.0L 8Cyl V (305)	MT0206
	5.0L 8Cyl V (305)	MT0206		5.7L 8Cyl V (350)	MT0206
	5.7L 8Cyl V (350)	MT0206	<b>SAVANA 2500</b>		
	6.5L 8Cyl V (395)	MT0206	07-03	4.8L 8Cyl V (294) Clutch Cycling Switch; Accumulator Mounted	MT0968
				6.0L 8Cyl V (364) Clutch Cycling Switch; Accumulator Mounted	MT0968
			07-06	6.6L 8Cyl V (400) Clutch Cycling Switch; Accumulator Mounted	MT0968
				4.3L 6Cyl V (262) Clutch Cycling Switch; Accumulator Mounted	MT0968
			05-00	5.3L 8Cyl V (323) Clutch Cycling Switch; Accumulator Mounted	MT0968
			05-03	5.3L 8Cyl V (323) Clutch Cycling Switch; Accumulator Mounted	MT0968
			(Cont'd)		

Prices shown are meant to be a guide. All prices are subject to change without notice. Call for current price and availability.

**GMC (Con't)**

**GMC (Con't)**

SWITCH CLUTCH CYCLE (Cont'd)		
Year	Application	Part No.
<b>SAVANA 2500 (Cont'd)</b>		
02-00	5.0L 8Cyl V (305) Clutch Cycling Switch; Accumulator Mounted	MT0968
	5.7L 8Cyl V (350) Clutch Cycling Switch; Accumulator Mounted	MT0968
	6.5L 8Cyl V (395) Clutch Cycling Switch; Accumulator Mounted	MT0968
96	4.3L 6Cyl V (262)	MT0206
	5.0L 8Cyl V (305)	MT0206
	5.7L 8Cyl V (350)	MT0206
	6.5L 8Cyl V (395)	MT0206
<b>SAVANA 3500</b>		
07-04	4.8L 8Cyl V (294) Clutch Cycling Switch; Accumulator Mounted	MT0968
07-03	6.0L 8Cyl V (364) Clutch Cycling Switch; Accumulator Mounted	MT0968
07-06	6.6L 8Cyl V (400) Clutch Cycling Switch; Accumulator Mounted	MT0968
02-00	5.7L 8Cyl V (350) Clutch Cycling Switch; Accumulator Mounted	MT0968
	6.5L 8Cyl V (395) Clutch Cycling Switch; Accumulator Mounted	MT0968
02-01	8.1L 8Cyl V (496) Clutch Cycling Switch; Accumulator Mounted	MT0968
00	7.4L 8Cyl V (454) Clutch Cycling Switch; Accumulator Mounted	MT0968
96	5.7L 8Cyl V (350)	MT0206
	6.5L 8Cyl V (395)	MT0206
	7.4L 8Cyl V (454)	MT0206
<b>SIERRA</b>		
09-07	5.3L 8Cyl V (325) Clutch Cycling Switch; Accumulator Mounted	MT0968
09-08	6.2L 8Cyl V (378) Clutch Cycling Switch; Accumulator Mounted	MT0968
<b>SIERRA 1500</b>		
09-99	4.3L 6Cyl V (262) Clutch Cycling Switch; Accumulator Mounted	MT0968
	4.8L 8Cyl V (294) Clutch Cycling Switch; Accumulator Mounted	MT0968
09-08	5.3L 8Cyl V (325) Clutch Cycling Switch; Accumulator Mounted	MT0968
	6.0L 8Cyl V (364) Clutch Cycling Switch; Accumulator Mounted	MT0968
09	6.2L 8Cyl V (378) Clutch Cycling Switch; Accumulator Mounted	MT0968
06	5.3L 8Cyl V (325) Clutch Cycling Switch; Accumulator Mounted	MT0968
06-05	6.0L 8Cyl V (364) Clutch Cycling Switch; Accumulator Mounted	MT0968
05-99	5.3L 8Cyl V (323) Clutch Cycling Switch; Accumulator Mounted	MT0968
<b>SIERRA 1500 HD</b>		
07-05	6.0L 8Cyl V (364) Clutch Cycling Switch; Accumulator Mounted	MT0968
03-01	6.0L 8Cyl V (364) Clutch Cycling Switch; Accumulator Mounted	MT0968
<b>SIERRA 2500</b>		
04-99	6.0L 8Cyl V (364) Clutch Cycling Switch; Accumulator Mounted	MT0968
00-99	5.3L 8Cyl V (323) Clutch Cycling Switch; Accumulator Mounted	MT0968
<b>SIERRA 2500 HD</b>		
09-01	6.0L 8Cyl V (364) Clutch Cycling Switch; Accumulator Mounted	MT0968
	6.6L 8Cyl V (400) Clutch Cycling Switch; Accumulator Mounted	MT0968
07-01	8.1L 8Cyl V (496) Clutch Cycling Switch; Accumulator Mounted	MT0968
04	6.6L 8Cyl V (403) Clutch Cycling Switch; Accumulator Mounted	MT0968
<b>SIERRA 3500</b>		
07-01	6.0L 8Cyl V (364) Clutch Cycling Switch; Accumulator Mounted	MT0968
	6.6L 8Cyl V (400) Clutch Cycling Switch; Accumulator Mounted	MT0968
(Cont'd)		

SWITCH CLUTCH CYCLE (Cont'd)		
Year	Application	Part No.
<b>SIERRA 3500 (Cont'd)</b>		
07-01	8.1L 8Cyl V (496) Clutch Cycling Switch; Accumulator Mounted	MT0968
04	6.6L 8Cyl V (403) Clutch Cycling Switch; Accumulator Mounted	MT0968
<b>SIERRA 3500 HD</b>		
09-07	6.0L 8Cyl V (364) Clutch Cycling Switch; Accumulator Mounted	MT0968
	6.6L 8Cyl V (400) Clutch Cycling Switch; Accumulator Mounted	MT0968
<b>SIERRA C3</b>		
01	6.0L 8Cyl V (364) Clutch Cycling Switch; Accumulator Mounted	MT0968
<b>SONOMA</b>		
04-95	4.3L 6Cyl V (262)	MT0205
03-95	2.2L 4Cyl L (134)	MT0205
<b>YUKON</b>		
09	6.2L 8Cyl V (376) Clutch Cycling Switch	MT0968
09-07	6.2L 8Cyl V (378) Clutch Cycling Switch	MT0968
06-03	4.8L 8Cyl V (294)	MT0968
06-05	5.3L 8Cyl V (325)	MT0968
05-03	5.3L 8Cyl V (323)	MT0968
02-00	4.8L 8Cyl V (294) Clutch Cycling Switch; Accumulator Mounted	MT0968
99-95	5.7L 8Cyl V (350)	MT0205
97-95	6.5L 8Cyl V (395)	MT0205
<b>YUKON XL 1500</b>		
09	6.2L 8Cyl V (376) Clutch Cycling Switch	MT0968
08-07	6.2L 8Cyl V (378) Clutch Cycling Switch	MT0968
07	6.0L 8Cyl V (364) Clutch Cycling Switch; Accumulator Mounted	MT0968
00	5.3L 8Cyl V (323) Clutch Cycling Switch; Accumulator Mounted	MT0968
<b>YUKON XL 2500</b>		
07-00	6.0L 8Cyl V (364) Clutch Cycling Switch; Accumulator Mounted	MT0968
<b>SWITCH PRESSURE TRANSDUCER</b>		
Year	Application	Part No.
<b>ACADIA</b>		
13-07	3.6L 6Cyl V (217) 3 Terminals	MT1247
<b>CANYON</b>		
12-07	2.9L 4Cyl L (178) 3 Terminals	MT1247
	3.7L 5Cyl L (223) 3 Terminals	MT1247
12-09	5.3L 8Cyl V (325) 3 Terminals	MT1247
06-04	2.8L 4Cyl L (169) 3 Terminals	MT1247
	3.5L 5Cyl L (211) 3 Terminals	MT1247
<b>ENVOY</b>		
09-02	4.2L 6Cyl L (256) 3 Terminals	MT1339
09-06	5.3L 8Cyl V (325) 3 Terminals	MT1339
05	5.3L 8Cyl V (323) 3 Terminals	MT1339
<b>SAVANA 1500</b>		
13-08	4.3L 6Cyl V (262) 3 Terminals	MT1247
	5.3L 8Cyl V (325) 3 Terminals	MT1247
<b>SAVANA 2500</b>		
13-08	4.8L 8Cyl V (294) 3 Terminals	MT1247
(Cont'd)		

Prices shown are meant to be a guide. All prices are subject to change without notice. Call for current price and availability.

GMC (Con't)			GMC (Con't)		
SWITCH PRESSURE TRANSDUCER (Cont'd)			SWITCH PRESSURE TRANSDUCER (Cont'd)		
Year	Application	Part No.	Year	Application	Part No.
<b>SAVANA 2500 (Cont'd)</b>			<b>SONOMA (Cont'd)</b>		
13-08	6.0L 8Cyl V (364) 3 Terminals	MT1247	03-96	2.2L 4Cyl L (134) 3 Terminals	MT1339
	6.6L 8Cyl V (400) 3 Terminals	MT1247	<b>TERRAIN</b>		
<b>SAVANA 3500</b>			13-10	2.4L 4Cyl L (145) 3 Terminals	MT1247
13-08	4.8L 8Cyl V (294) 3 Terminals	MT1247	13	3.6L 6Cyl V (217) 3 Terminals	MT1247
	6.0L 8Cyl V (364) 3 Terminals	MT1247		3.6L 6Cyl V (220) 3 Terminals	MT1247
	6.6L 8Cyl V (400) 3 Terminals	MT1247	12-10	3.0L 6Cyl V (182) 3 Terminals	MT1247
<b>SAVANA 4500</b>			12-11	3.0L 6Cyl V (183) 3 Terminals	MT1247
13-09	6.0L 8Cyl V (364) 3 Terminals	MT1247	<b>YUKON</b>		
	6.6L 8Cyl V (400) 3 Terminals	MT1247	13-05	5.3L 8Cyl V (325) 3 Terminals	MT1247
<b>SIERRA</b>			13-08	6.0L 8Cyl V (364) 3 Terminals	MT1247
13-07	5.3L 8Cyl V (325) 3 Terminals	MT1247	13-09	6.2L 8Cyl V (376) 3 Terminals	MT1247
13-11	6.2L 8Cyl V (376) 3 Terminals	MT1247	09-03	4.8L 8Cyl V (294) 3 Terminals	MT1247
10-08	6.2L 8Cyl V (378) 3 Terminals	MT1247	09-07	6.2L 8Cyl V (378) 3 Terminals	MT1247
<b>SIERRA 1500</b>			06-03	6.0L 8Cyl V (364) 3 Terminals	MT1247
13-03	4.3L 6Cyl V (262) 3 Terminals	MT1247	05-03	5.3L 8Cyl V (323) 3 Terminals	MT1247
	4.8L 8Cyl V (294) 3 Terminals	MT1247	<b>YUKON XL 1500</b>		
13-06	5.3L 8Cyl V (325) 3 Terminals	MT1247	13-06	5.3L 8Cyl V (325) 3 Terminals	MT1247
13-03	6.0L 8Cyl V (364) 3 Terminals	MT1247	13-09	6.2L 8Cyl V (376) 3 Terminals	MT1247
13-09	6.2L 8Cyl V (376) 3 Terminals	MT1247	09-03	6.0L 8Cyl V (364) 3 Terminals	MT1247
08-07	6.2L 8Cyl V (378) 3 Terminals	MT1247	08-07	6.2L 8Cyl V (378) 3 Terminals	MT1247
05-03	5.3L 8Cyl V (323) 3 Terminals	MT1247	05-03	5.3L 8Cyl V (323) 3 Terminals	MT1247
<b>SIERRA 1500 HD</b>			<b>YUKON XL 2500</b>		
07-05	6.0L 8Cyl V (364) 3 Terminals	MT1247	13-03	6.0L 8Cyl V (364) 3 Terminals	MT1247
03	6.0L 8Cyl V (364) 3 Terminals	MT1247	06-03	8.1L 8Cyl V (496) 3 Terminals	MT1247
<b>SIERRA 2500</b>			<b>HONDA</b>		
04-03	6.0L 8Cyl V (364) 3 Terminals	MT1247	<b>ACCUMULATOR &amp; RECEIVER DRIERS</b>		
<b>SIERRA 2500 HD</b>			<b>Year</b>	<b>Application</b>	<b>Part No.</b>
13-03	6.0L 8Cyl V (364) 3 Terminals	MT1247	<b>ACCORD</b>		
	6.6L 8Cyl V (400) 3 Terminals	MT1247	12-09	2.4L 4Cyl L (144)	37-13677
07-03	8.1L 8Cyl V (496) 3 Terminals	MT1247	12-11	2.4L 4Cyl L (2354) Desiccant Bag in Condenser	37-13677
04	6.6L 8Cyl V (403) 3 Terminals	MT1247		3.5L 6Cyl V (212)	37-13677
<b>SIERRA 3500</b>				3.5L 6Cyl V (3471) Desiccant Bag in Condenser	37-13677
07-03	6.0L 8Cyl V (364) 3 Terminals	MT1247	10-08	EX, 2.4L 4Cyl L (2354)	37-13677
	6.6L 8Cyl V (400) 3 Terminals	MT1247		EX, 3.5L 6Cyl V (3471)	37-13677
	8.1L 8Cyl V (496) 3 Terminals	MT1247		LX, 2.4L 4Cyl L (2354)	37-13677
04	6.6L 8Cyl V (403) 3 Terminals	MT1247	08-04	2.4L 4Cyl L (144), Sedan	37-13677
<b>SIERRA 3500 HD</b>			07-03	EX, 2.4L 4Cyl L (2354), Coupe	37-19802
13-07	6.0L 8Cyl V (364) 3 Terminals	MT1247	07-06	EX, 2.4L 4Cyl L (2354), Sedan	37-13677
	6.6L 8Cyl V (400) 3 Terminals	MT1247	07	EX, 3.0L 6Cyl V (2997), Coupe	37-19802
<b>SONOMA</b>			07-05	Hybrid, 3.0L 6Cyl V (2997)	37-13677
04-96	4.3L 6Cyl V (262) 3 Terminals	MT1339	07-03	LX, 2.4L 4Cyl L (2354), Coupe	37-19802
(Cont'd)				LX, 2.4L 4Cyl L (2354), Sedan	37-13677
			07	LX, 3.0L 6Cyl V (2997), Coupe	37-19802
				Special Edition, 2.4L 4Cyl L (2354)	37-13677
			07-06	Value Package, 2.4L 4Cyl L (2354)	37-13677
			06	EX, 3.0L 6Cyl V (2997)	37-13677
				LX, 3.0L 6Cyl V (2997)	37-13677
			05-03	DX, 2.4L 4Cyl L (2354)	37-13677
				EX, 3.0L 6Cyl V (2977), Coupe	37-19802
				EX, 3.0L 6Cyl V (2977), Sedan	37-13677

Prices shown are meant to be a guide. All prices are subject to change without notice. Call for current price and availability.

**HONDA (Con't)**

**HONDA (Con't)**

**ACCUMULATOR & RECEIVER DRIERS (Cont'd)**

Year	Application	Part No.
<b>ACCORD (Cont'd)</b>		
05-03	LX, 3.0L 6Cyl V (2977), Coupe	37-19802
	LX, 3.0L 6Cyl V (2977), Sedan	37-13677
04-03	EX, 2.4L 4Cyl L (2354), Sedan	37-13677
03	3.0L 6Cyl V (183), Coupe	37-19802
02-98	3.0L 6Cyl V (2997) w/ Sight Glass	37-18038

**ACCORD CROSSTOUR**

11-10	3.5L 6Cyl V (212)	37-13677
	3.5L 6Cyl V (3471)	37-13677

**CIVIC**

12	1.5L 4Cyl L (91), Sedan	37-13677
	1.5L 4Cyl L (1497), Sedan	37-13677
	1.8L 4Cyl L (1799), Sedan	37-13677
	2.4L 4Cyl L (2354), Sedan	37-13677
11	1.3L 4Cyl L (82), Sedan	37-13677
	1.3L 4Cyl L (1339), Sedan	37-13677
10-09	1.8L 4Cyl L (1799), Sedan	37-13677
	2.0L 4Cyl L (122), Sedan	37-13677
10-06	Hybrid, ELECTRIC/GAS, 1.3L 4Cyl L (1339), Sedan	37-13677
06	1.8L 4Cyl L (1799), Sedan	37-13677
05	DX, 1.7L 4Cyl L (1668) w/ Sight Glass	37-18038
05-03	Hybrid, ELECTRIC/GAS, 1.3L 4Cyl L (1339) w/ Sight Glass	37-18038
04-03	DX, 1.7L 4Cyl L (1700) w/ Sight Glass	37-18038
02	DX, 1.7L 4Cyl L (1700)	37-18038
	EX, 1.7L 4Cyl L (1700)	37-18038
	GX, 1.7L 4Cyl L (1700)	37-18038
	LX, 1.7L 4Cyl L (1700)	37-18038
01	DX, 1.7L 4Cyl L (1668)	37-18038
	EX, 1.7L 4Cyl L (1668)	37-18038
	GX, 1.7L 4Cyl L (1668)	37-18038
	LX, 1.7L 4Cyl L (1668)	37-18038
00-96	CX, 1.6L 4Cyl L (97)	37-18038
	DX, 1.6L 4Cyl L (97)	37-18038
	EX, 1.6L 4Cyl L (97)	37-18038
00-98	GX, 1.6L 4Cyl L (97)	37-18038
00-96	LX, 1.6L 4Cyl L (97)	37-18038
99	Value Package, 1.6L 4Cyl L (97)	37-18038

**CROSSTOUR**

12	2.4L 4Cyl L (2354)	37-13677
	3.5L 6Cyl V (212)	37-13677
	3.5L 6Cyl V (3471)	37-13677

**CR-V**

01-97	2.0L 4Cyl L (1972)	37-18038
-------	--------------------	----------

**FIT**

13-09	1.5L 4Cyl L (1497)	37-13677
12-10	1.5L 4Cyl L (91)	37-13677

**INSIGHT**

11	1.3L 4Cyl L (1339)	37-13677
----	--------------------	----------

**ODYSSEY**

12-11	3.5L 6Cyl V (212)	37-13677
	3.5L 6Cyl V (3471)	37-13677
98	2.3L 4Cyl L (2234)	37-13997

**S2000**

09	2.2L 4Cyl L (2157)	37-18038
03-00	2.0L 4Cyl L (1997) w/ Sight Glass	37-18038

**AUTOMOTIVE KITS**

Year	Application	Part No.
------	-------------	----------

**ACCORD**

07-05	2.4L 4Cyl L (2354) NEW: O	96-25559
05-03	3.0L 6Cyl V (2977) NEW: O	96-25560

**AUTOMOTIVE KITS (Cont'd)**

Year	Application	Part No.
------	-------------	----------

**CIVIC**

01	1.7L 4Cyl L (1668) NEW: O	96-25724
----	------------------------------	----------

**CR-V**

01-97	2.0L 4Cyl L (1972) NEW: O	96-25723
-------	------------------------------	----------

**COMPRESSORS**

Year	Application	Part No.
------	-------------	----------

**ACCORD**

07-05	3.0L 6Cyl V (2997) Denso: 10S20C; PV6	20-11320-AM
05	3.0L 6Cyl V (2977) Denso: 10S20C; PV6	20-11320-AM
04-03	3.0L 6Cyl V (2977) Denso: 10S20C; PV6; New	20-11320-AM
03	3.0L 6Cyl V (183) Denso: 10S20C; PV6; New	20-11320-AM

**CIVIC**

11	1.8L 4Cyl L (110) TRSE07; PV7; New	20-04918-AM
11-06	1.8L 4Cyl L (1799) TRSE07; PV7; New	20-04918-AM
00-96	1.6L 4Cyl L (1590) TRF/S090; PV4; OEM Style: R-134	20-90003
00-99	1.6L 4Cyl L (1595) TRF/S090; PV4; OEM Style: R-134	20-90003
99-95	1.6L 4Cyl L (97) TRF/S090; PV4; OEM Style: R-134	20-90003
95	1.5L 4Cyl L (1493) TRF/S090; PV4; OEM Style: R-134	20-90003

**CIVIC DEL SOL**

97	1.6L 4Cyl L (97) Sanden; TRF/S090; R-134	20-90003
	1.6L 4Cyl L (1595) Sanden; TRF/S090; R-134	20-90003
96	1.6L 4Cyl L (97) Sanden; TRF/S090; PV4	20-90003
	1.6L 4Cyl L (1595) Sanden; TRF/S090; PV4	20-90003
95	1.5L 4Cyl L (1493) Sanden; TRF/S090; PV4; R-134	20-90003
	1.6L 4Cyl L (97) w/ Clutch; New	20-90003

**CR-V**

11	2.4L 4Cyl L (144)	20-04920-AM
	2.4L 4Cyl L (2354)	20-04920-AM
10	2.4L 4Cyl L (144) TRSE09; 7Groove	20-04920-AM
10-07	2.4L 4Cyl L (2354) TRSE09; 7Groove	20-04920-AM
06-02	2.4L 4Cyl L (2354) HS110R; PV7; New	20-11242-AM
01-97	2.0L 4Cyl L (1972) Sanden; TRF/S090; PV4; OEM: R-134	20-90003

**ODYSSEY**

07-06	3.5L 6Cyl V (3471) 10S20C; PV6; New	20-11310-AM
07-05	3.5L 6Cyl V (3471) Denso: 10S20C; PV6	20-11320-AM
05	3.5L 6Cyl V (3471) w/ Clutch; New	20-11310-AM

**PILOT**

07-06	3.5L 6Cyl V (3471) 10S20C; PV6; New	20-11310-AM
07-05	3.5L 6Cyl V (3471) Denso: 10S20C; PV6	20-11320-AM
05	3.5L 6Cyl V (3471) w/ Clutch; New	20-11310-AM

**RIDGELINE**

08-06	3.5L 6Cyl V (3471) Denso: 10S20C; PV6	20-11320-AM
07	3.5L 6Cyl V (3471) 10S20C; PV6; New	20-11310-AM

(Cont'd)

Prices shown are meant to be a guide. All prices are subject to change without notice. Call for current price and availability.

HONDA (Con't)			HONDA (Con't)		
<b>COMPRESSORS (Cont'd)</b>			<b>HOSE ASSEMBLIES DISCHARGE</b>		
Year	Application	Part No.	Year	Application	Part No.
<b>RIDGELINE (Cont'd)</b>			<b>CR-V</b>		
06	3.5L 6Cyl V (3471) w/ Clutch; New	20-11310-AM	06-02	2.4L 4Cyl L (2354)	34-63876
<b>EVAPORATOR CORES</b>			<b>RELAY ENGINE COOLING FAN MOTOR</b>		
Year	Application	Part No.	Year	Application	Part No.
<b>CIVIC</b>			<b>ODYSSEY</b>		
11	1.3L 4Cyl L (82), Sedan	27-33467	07-05	3.5L 6Cyl V (3471) Located In Auxillary Under Hood Relay Box - 5 Pins	MT0225
11-06	1.3L 4Cyl L (1339), Sedan	27-33467	04-99	3.5L 6Cyl V (3474) Located In Auxillary Under Hood Relay Box - 5 Pins	MT0225
11	1.8L 4Cyl L (110)	27-33451	<b>PILOT</b>		
	1.8L 4Cyl L (1799)	27-33451	07-05	3.5L 6Cyl V (3471) Located In Auxillary Under Hood Relay Box - 5 Pins	MT0225
11-06	1.8L 4Cyl L (1799), Sedan	27-33467	04-03	3.5L 6Cyl V (3475) Located In Auxillary Under Hood Relay Box - 5 Pins	MT0225
11-07	2.0L 4Cyl L (122), Sedan	27-33467	<b>RELAY HVAC SYSTEM</b>		
10-06	1.8L 4Cyl L (1799), Coupe	27-33451	<b>Year Application Part No.</b>		
	2.0L 4Cyl L (122), Coupe	27-33451	<b>PASSPORT</b>		
<b>CR-V</b>			<b>Year Application Part No.</b>		
11-10	2.4L 4Cyl L (144)	27-33451	02-95	3.2L 6Cyl V (3165) Intake Actuator Relay - Located Behind Glove Box	30-13412
11-07	2.4L 4Cyl L (2354)	27-33451	96-95	2.6L 4Cyl L (2559) Intake Actuator Relay - Located Behind Glove Box	30-13412
10-07	2.4L 4Cyl L (2354), Front PLATE FIN	27-33451	<b>HUMMER</b>		
<b>CR-Z</b>			<b>ACCUMULATOR &amp; RECEIVER DRIERS</b>		
11	1.5L 4Cyl L (91)	27-33451	<b>Year Application Part No.</b>		
<b>EXPANSION VALVES</b>			<b>H1</b>		
Year	Application	Part No.	<b>Year Application Part No.</b>		
<b>ACCORD</b>			<b>H2</b>		
02-98	2.3L 4Cyl L (2254) OS	31-12112	02	6.5L 8Cyl V (395)	37-23502
	3.0L 6Cyl V (2997) OS	31-12112	<b>H1</b>		
97-95	2.2L 4Cyl L (2156) OS	31-12112	09	6.2L 8Cyl V (376) w/o Rear A/C	37-23502
	2.7L 6Cyl V (2675) OS	31-12112	08	6.2L 8Cyl V (378) w/o Rear A/C	37-23502
<b>CIVIC</b>			07-04	6.0L 8Cyl V (364)	37-23502
05-03	1.3L 4Cyl L (1339) OS	31-31022	<b>COMPRESSORS</b>		
05	1.7L 4Cyl L (1668) OS	31-31022	<b>Year Application Part No.</b>		
04-02	1.7L 4Cyl L (1700) OS	31-31022	<b>H1</b>		
01	1.7L 4Cyl L (1668) OS	31-31022	04-02	6.5L 8Cyl V (395)	20-10694-AM
00-95	1.6L 4Cyl L (97) OS	31-12112	<b>H2</b>		
00-99	1.6L 4Cyl L (1595) OS	31-12112	09	6.2L 8Cyl V (376) 10S20F; PV4; w/ Switch; w/o Rear A/C; New	20-21711-AM
95	1.5L 4Cyl L (1493) OS	31-12112	08	6.2L 8Cyl V (378) 10S20F; PV4; w/ Switch; w/o Rear A/C; New	20-21711-AM
<b>CIVIC DEL SOL</b>			07-03	6.0L 8Cyl V (364) 10S20F; PV4; w/ Switch; w/o Rear A/C; New	20-21711-AM
97-95	1.6L 4Cyl L (97) OS	31-12112	<b>H3</b>		
95	1.5L 4Cyl L (1493) OS	31-12112	10	5.3L 8Cyl V (325)	20-21711-AM
<b>CR-V</b>			10-09	5.3L 8Cyl V (325) 10S20F; PV4; New	20-21711-AM
06-02	2.4L 4Cyl L (2354) OS	31-31022	08	5.3L 8Cyl V (325) Densol; 10S20F; PV4; New	20-21711-AM
01-97	2.0L 4Cyl L (1972) OS	31-12112	<b>H3T</b>		
<b>ELEMENT</b>			10-09	5.3L 8Cyl V (325)	20-21711-AM
11-03	2.4L 4Cyl L (2354) OS	31-31022	<b>EVAPORATOR CORES</b>		
<b>EV PLUS</b>			<b>Year Application Part No.</b>		
99-98	-L -Cyl - (-) OS	31-31022	<b>H2</b>		
<b>INSIGHT</b>			09	6.2L 8Cyl V (376) w/o Center Console	27-33819
04-00	1.0L 3Cyl L (61) 16 mm & 20 mm; OS	31-12112	08	6.2L 8Cyl V (376), Front W/O CENTER CONSOLE; PLATE/FIN	27-33819
<b>PRELUDE</b>			08	6.2L 8Cyl V (378) FRONT PLATE/FIN	27-33819
96-95	2.2L 4Cyl L (2156) OS	31-12112		6.2L 8Cyl V (378), Front W/O CENTER CONSOLE; PLATE/FIN	27-33819
	2.3L 4Cyl L (2259) OS	31-12112	<b>EXPANSION VALVE ORIFICE TUBES</b>		
			<b>Year Application Part No.</b>		
			<b>H2</b>		
			08	6.2L 8Cyl V (378) Black; Optional Auto Adj Orifice Tube 3411303	MT0098-1
			(Cont'd)		

Prices shown are meant to be a guide. All prices are subject to change without notice. Call for current price and availability.



HUMMER (Con't)			INFINITI (Con't)		
<b>EXPANSION VALVE ORIFICE TUBES (Cont'd)</b>			<b>ACCUMULATOR &amp; RECEIVER DRIERS (Cont'd)</b>		
Year	Application	Part No.	Year	Application	Part No.
<b>H2 (Cont'd)</b>			<b>QX4 (Cont'd)</b>		
07-03	6.0L 8Cyl V (364) Black; Optional Auto Adj Orifice Tube 3411303	MT0098-1	03-02	3.5L 6Cyl V (3498) 9.37 Tall x 1.57 Dia	37-19802
<b>SWITCH CLUTCH CYCLE</b>			01	3.5L 6Cyl V (3498)	37-13570
Year	Application	Part No.	00-99	3.3L 6Cyl V (3275)	37-13570
<b>H2</b>			97	3.3L 6Cyl V (3275) New	37-13570
07-03	6.0L 8Cyl V (364) Clutch Cycling Switch; Accumulator Mounted	MT0968	<b>SWITCH PRESSURE TRANSDUCER</b>		
HYUNDAI			Year	Application	Part No.
<b>EXPANSION VALVE ORIFICE TUBES</b>			<b>EX35</b>		
Year	Application	Part No.	12-08	3.5L 6Cyl V (3498)	MT1202
<b>SCOUPE</b>			<b>EX37</b>		
95	1.5L 4Cyl L (1495) Orange; Optional Auto Adj Orifice Tube 3411302	MT0094-1	13	3.7L 6Cyl V (3696)	MT1202
<b>SONATA</b>			<b>FX35</b>		
98-95	2.0L 4Cyl L (1997) Orange; Optional Auto Adj Orifice Tube 3411302	MT0094-1	12	3.5L 6Cyl V (213)	MT1202
	3.0L 6Cyl V (2972) Orange; Optional Auto Adj Orifice Tube 3411302	MT0094-1	12-03	3.5L 6Cyl V (3498)	MT1202
<b>EXPANSION VALVES</b>			<b>FX37</b>		
Year	Application	Part No.	13	3.7L 6Cyl V (226)	MT1202
<b>TIBURON</b>				3.7L 6Cyl V (3696)	MT1202
98	2.0L 4Cyl L (1997) New; OS	31-30935-AM	<b>FX45</b>		
97	1.8L 4Cyl L (1795) New; OS	31-30935-AM	08-06	4.5L 8Cyl V (4494)	MT1202
	2.0L 4Cyl L (1975) New; OS	31-30935-AM	05-03	4.5L 8Cyl V (4500)	MT1202
INFINITI			<b>FX50</b>		
<b>ACCUMULATOR &amp; RECEIVER DRIERS</b>			<b>G25</b>		
Year	Application	Part No.	12-11	2.5L 6Cyl V (152)	MT1202
<b>EX35</b>			<b>G35</b>		
12-11	3.5L 6Cyl V (3498)	37-19802	08-03	3.5L 6Cyl V (3498)	MT1202
<b>FX35</b>			<b>G37</b>		
12-11	3.5L 6Cyl V (3498)	37-19802	13-12	3.7L 6Cyl V (226)	MT1202
08-03	3.5L 6Cyl V (3498)	37-19802	13-08	3.7L 6Cyl V (3696)	MT1202
<b>FX45</b>			<b>I35</b>		
08-06	4.5L 8Cyl V (4494)	37-19802	04-03	3.5L 6Cyl V (3498)	MT1202
05-03	4.5L 8Cyl V (4500)	37-19802	<b>JX35</b>		
<b>FX50</b>			13	3.5L 6Cyl V (213)	MT1202
12-11	5.0L 8Cyl V (5026)	37-19802		3.5L 6Cyl V (3498)	MT1202
<b>G20</b>			<b>M35</b>		
02-99	Base, 2.0L 4Cyl L (2000)	37-13570	10-06	3.5L 6Cyl V (3498)	MT1202
<b>G35</b>			<b>M35H</b>		
06-03	Base, 3.5L 6Cyl V (3498)	37-19802	13-12	3.5L 6Cyl V (3498)	MT1202
<b>G37</b>			<b>M37</b>		
12-11	3.7L 6Cyl V (3696)	37-19802	13-12	3.7L 6Cyl V (226)	MT1202
<b>I30</b>			13-11	3.7L 6Cyl V (3696)	MT1202
01-00	3.0L 6Cyl V (182)	37-13570	<b>M45</b>		
99-98	3.0L 6Cyl V (182) New	37-13570	10-06	4.5L 8Cyl V (4494)	MT1202
<b>I35</b>			04-03	4.5L 8Cyl V (4500)	MT1202
04-02	3.5L 6Cyl V (3498)	37-19802	<b>M56</b>		
<b>M37</b>			13-12	5.6L 8Cyl V (339)	MT1202
11	3.7L 6Cyl V (3696)	37-19802	13-11	5.6L 8Cyl V (5552)	MT1202
<b>M45</b>			<b>Q45</b>		
10-09	4.5L 8Cyl V (4494) New	37-19802	06-03	4.5L 8Cyl V (4494)	MT1202
<b>M56</b>			<b>QX56</b>		
11	5.6L 8Cyl V (5552)	37-19802	13-12	5.6L 8Cyl V (339)	MT1202
<b>QX4</b>			13-04	5.6L 8Cyl V (5552)	MT1202
03	3.5L 6Cyl V (3498) 5.90 Tall x 2.36 Dia	37-13570	<b>SWITCH TRINARY</b>		
(Cont'd)			Year	Application	Part No.
			<b>G20</b>		
			02-99	2.0L 4Cyl L (2000) Hi-Low Pressure and Cooling Fan Control	MT0589
			<b>I30</b>		
			99-98	3.0L 6Cyl V (182) Hi-Low Pressure and Cooling Fan Control	MT0589

Prices shown are meant to be a guide. All prices are subject to change without notice. Call for current price and availability.

INFINITI (Con't)			JAGUAR (Con't)		
<b>SWITCH TRINARY (Cont'd)</b>			<b>COMPRESSORS (Cont'd)</b>		
Year	Application	Part No.	Year	Application	Part No.
<b>Q45</b>			<b>X-TYPE</b>		
01-97	4.1L 8Cyl V (4130) Hi-Low Pressure and Cooling Fan Control	MT0589	08-02	3.0L 6Cyl V (183) Scroll; PV6; New	20-11005-AM
<b>ISUZU</b>			07-02	3.0L 6Cyl V (181) Scroll; PV6	20-11005-AM
<b>ACCUMULATOR &amp; RECEIVER DRIERS</b>			05-02	2.5L 6Cyl V (152) Scroll; PV6; New	20-11005-AM
Year	Application	Part No.	<b>EXPANSION VALVE ORIFICE TUBES</b>		
<b>OASIS</b>			Year	Application	Part No.
99	2.3L 4Cyl L (2234)	37-13997	<b>X-TYPE</b>		
98	2.3L 4Cyl L (2254)	37-13997	08-02	3.0L 6Cyl V (183) Orange; Optional Auto Adj Orifice Tube 3411302	MT0094-1
97	2.2L 4Cyl L (2156) New	37-13997	07-02	3.0L 6Cyl V (181) Orange; Optional Auto Adj Orifice Tube 3411302	MT0094-1
96	2.2L 4Cyl L (2156)	37-13997	05-02	2.5L 6Cyl V (152) Orange; Optional Auto Adj Orifice Tube 3411302	MT0094-1
<b>AUTOMOTIVE KITS</b>			<b>JEEP</b>		
Year	Application	Part No.	<b>ACCUMULATOR &amp; RECEIVER DRIERS</b>		
<b>HOMBRE</b>			Year	Application	Part No.
00-98	2.2L 4Cyl L (2180) NEW; O	96-24062	<b>CHEROKEE</b>		
<b>COMPRESSORS</b>			01	4.0L 6Cyl L (242)	37-23527
Year	Application	Part No.	<b>LIBERTY</b>		
<b>HOMBRE</b>			07-02	3.7L 6Cyl V (226)	37-23527
00	4.3L 6Cyl V (262) HT6; PV6; 2.00 Coil; 4.33in Dia	20-10694-AM	06-05	2.8L 4Cyl L (171)	37-23527
99-98	4.3L 6Cyl V (4294) HT6; PV6; 2.00 Coil; 4.33in Dia	20-10694-AM	05-02	2.4L 4Cyl L (148)	37-23527
<b>EXPANSION VALVE ORIFICE TUBES</b>			<b>TJ</b>		
Year	Application	Part No.	06-05	2.4L 4Cyl L (148)	37-23527
<b>HOMBRE</b>			06-99	4.0L 6Cyl L (242)	37-23527
00-96	2.2L 4Cyl L (2180) EVAPORATOR MOUNTING	MT0097-1	03	2.4L 4Cyl L (148)	37-23527
00	4.3L 6Cyl V (262) EVAPORATOR MOUNTING	MT0097-1	02-99	2.5L 4Cyl L (150)	37-23527
99-97	4.3L 6Cyl V (4294) EVAPORATOR MOUNTING	MT0097-1	<b>WRANGLER</b>		
<b>SWITCH CLUTCH CYCLE</b>			06-03	2.4L 4Cyl L (148)	37-23527
Year	Application	Part No.	06-99	4.0L 6Cyl L (242)	37-23527
<b>ASCENDER</b>			02-99	2.5L 4Cyl L (150)	37-23527
08-03	4.2L 6Cyl L (256) Clutch Cycling Switch; Accumulator Mounted	MT0968	<b>COMPRESSORS</b>		
06	5.3L 8Cyl V (325) Clutch Cycling Switch; Accumulator Mounted	MT0968	Year	Application	Part No.
05-03	5.3L 8Cyl V (323) Clutch Cycling Switch; Accumulator Mounted	MT0968	<b>LIBERTY</b>		
<b>SWITCH PRESSURE TRANSDUCER</b>			08-06	3.7L 6Cyl V (226) HS18; PV6; New	20-22036-AM
Year	Application	Part No.	<b>EVAPORATOR CORES</b>		
<b>ASCENDER</b>			Year	Application	Part No.
08-03	4.2L 6Cyl L (256)	MT1339	<b>CHEROKEE</b>		
06	5.3L 8Cyl V (325)	MT1339	01-97	4.0L 6Cyl L (242), Front PLATE/FIN	27-33219
05-03	5.3L 8Cyl V (323)	MT1339		N/A Left Hand Drive	27-33219
<b>I-280</b>			00-97	2.5L 4Cyl L (150), Front PLATE/FIN	27-33219
06	2.8L 4Cyl L (169)	MT1247	<b>COMMANDER</b>		
<b>I-290</b>			10-07	3.7L 6Cyl V (226)	27-33429
08-07	2.9L 4Cyl L (178)	MT1247	10	3.7L 6Cyl V (226), Front Plate/Fin; Front Plate/Fin	27-33429
<b>I-350</b>			10-07	5.7L 8Cyl V (345)	27-33429
06	3.5L 5Cyl L (211)	MT1247	10	5.7L 8Cyl V (345), Front Plate/Fin; Front Plate/Fin	27-33429
<b>I-370</b>			09-07	3.7L 6Cyl V (226), Front Plate/Fin	27-33429
08-07	3.7L 5Cyl L (223)	MT1247		4.7L 8Cyl V (285)	27-33429
<b>JAGUAR</b>				4.7L 8Cyl V (285), Front Plate/Fin	27-33429
<b>COMPRESSORS</b>				5.7L 8Cyl V (345), Front Plate/Fin	27-33429
Year	Application	Part No.	06	3.7L 6Cyl V (226), Front Plate/Fin; Front Plate/Fin	27-33429
<b>S-TYPE</b>				4.7L 8Cyl V (285), Front Plate/Fin; Front Plate/Fin	27-33429
08-00	3.0L 6Cyl V (183) Scroll; PV6; New	20-11005-AM		5.7L 8Cyl V (345), Front Plate/Fin; Front Plate/Fin	27-33429
				N/A	27-33429

Prices shown are meant to be a guide. All prices are subject to change without notice. Call for current price and availability.

**JEEP (Con't)**

**JEEP (Con't)**

EVAPORATOR CORES (Cont'd)		
Year	Application	Part No.
<b>COMPASS</b>		
09-07	2.0L 4Cyl L (122)	27-33463
	2.4L 4Cyl L (144)	27-33463
<b>GRAND CHEROKEE</b>		
10-09	3.7L 6Cyl V (226)	27-33429
10-05	3.7L 6Cyl V (226), Front PLATE/FIN	27-33429
10-09	5.7L 8Cyl V (345)	27-33429
10-05	5.7L 8Cyl V (345), Front PLATE/FIN	27-33429
10-09	6.1L 8Cyl V (370)	27-33429
10-06	6.1L 8Cyl V (370), Front PLATE/FIN	27-33429
09	3.0L 6Cyl V (182)	27-33429
09-07	3.0L 6Cyl V (182), Front PLATE/FIN	27-33429
09	4.7L 8Cyl V (285)	27-33429
09-05	4.7L 8Cyl V (285), Front PLATE/FIN	27-33429
08-05	N/A	27-33429
04	4.0L 6Cyl L (241)	27-33327
04-02	4.0L 6Cyl L (242)	27-33327
	4.7L 8Cyl V (285)	27-33327
98-96	4.0L 6Cyl L (242) Manual A/C Controls	27-33205
	5.2L 8Cyl V (318) Manual A/C Controls	27-33205
98	5.9L 8Cyl V (360) Manual A/C Controls	27-33205
<b>LIBERTY</b>		
11	3.7L 6Cyl V (226)	27-33497
10-08	3.7L 6Cyl V (226), Front PLATE FIN	27-33497
	N/A	27-33497
<b>PATRIOT</b>		
09-07	2.0L 4Cyl L (122)	27-33463
	2.4L 4Cyl L (144)	27-33463
<b>TJ</b>		
01-97	2.5L 4Cyl L (150)	27-33219
	4.0L 6Cyl L (242)	27-33219
<b>WRANGLER</b>		
01-97	2.5L 4Cyl L (150) LHD	27-33219
	4.0L 6Cyl L (242) LHD	27-33219
<b>EXPANSION VALVE ORIFICE TUBES</b>		
Year	Application	Part No.
<b>CHEROKEE</b>		
01-97	4.0L 6Cyl L (242) Variable Orifice Tube - Condenser Mounted - Improved A/C System Performance in Hot Climates and City Driving	MT0628
00-97	2.5L 4Cyl L (150) Variable Orifice Tube - Condenser Mounted - Improved A/C System Performance in Hot Climates and City Driving	MT0628
<b>GRAND CHEROKEE</b>		
01-95	4.0L 6Cyl L (242) Variable Orifice Tube - Condenser Mounted - Improved A/C System Performance in Hot Climates and City Driving	MT0628
01-99	4.7L 8Cyl V (287) Variable Orifice Tube - Condenser Mounted - Improved A/C System Performance in Hot Climates and City Driving	MT0628
98-95	5.2L 8Cyl V (318) Variable Orifice Tube - Condenser Mounted - Improved A/C System Performance in Hot Climates and City Driving	MT0628
98	5.9L 8Cyl V (360) Variable Orifice Tube - Condenser Mounted - Improved A/C System Performance in Hot Climates and City Driving	MT0628
95	5.2L 8Cyl V (317) Variable Orifice Tube - Condenser Mounted - Improved A/C System Performance in Hot Climates and City Driving	MT0628
<b>PATRIOT</b>		
07	2.0L 4Cyl L (122) Orange; Optional Auto Adj Orifice Tube 3411302	MT0094-1
(Cont'd)		

EXPANSION VALVE ORIFICE TUBES (Cont'd)		
Year	Application	Part No.
<b>PATRIOT (Cont'd)</b>		
07	2.4L 4Cyl L (144) Orange; Optional Auto Adj Orifice Tube 3411302	MT0094-1
<b>WRANGLER</b>		
06-03	2.4L 4Cyl L (148) Orange	MT0094-1
06-02	4.0L 6Cyl L (242) Orange	MT0094-1
02	2.5L 4Cyl L (150) Orange	MT0094-1
99-97	2.5L 4Cyl L (150) Blue; Optional Auto Adj Orifice Tube 3411302	MT0092-1
	4.0L 6Cyl L (242) Blue; Optional Auto Adj Orifice Tube 3411302	MT0092-1
<b>EXPANSION VALVES</b>		
Year	Application	Part No.
<b>CHEROKEE</b>		
96-95	2.5L 4Cyl L (150) O	31-30927-AM
	4.0L 6Cyl L (242) O	31-30927-AM
<b>HOSE ASSEMBLIES DISCHARGE</b>		
Year	Application	Part No.
<b>LIBERTY</b>		
06	N/A	34-63968
05-02	3.7L 6Cyl V (226)	34-63968
<b>HOSE ASSEMBLIES LIQUID LINE</b>		
Year	Application	Part No.
<b>LIBERTY</b>		
07-06	3.7L 6Cyl V (226) W/orifice tube	34-63635
05-02	2.4L 4Cyl L (148) W/orifice tube	34-63967
	3.7L 6Cyl V (226) W/orifice tube	34-63967
<b>RELAY COMPRESSOR CONTROL</b>		
Year	Application	Part No.
<b>CHEROKEE</b>		
01-97	4.0L 6Cyl L (242) Factory A/C	MT0225
00-97	2.5L 4Cyl L (150) Factory A/C	MT0225
<b>GRAND CHEROKEE</b>		
07-05	5.7L 8Cyl V (345) Factory A/C	MT0225
07-06	6.1L 8Cyl V (370) Factory A/C	MT0225
06-05	5.7L 8Cyl V (348) Factory A/C	MT0225
01-99	4.0L 6Cyl L (242) Factory A/C	MT0225
	4.7L 8Cyl V (287) Factory A/C	MT0225
<b>LIBERTY</b>		
07-02	3.7L 6Cyl V (226) Factory A/C	MT0225
06-05	2.8L 4Cyl L (171) Factory A/C	MT0225
05-02	2.4L 4Cyl L (148) Factory A/C	MT0225
<b>WRANGLER</b>		
04-03	2.4L 4Cyl L (148)	MT0225
	4.0L 6Cyl L (241)	MT0225
04-99	4.0L 6Cyl L (242)	MT0225
02-99	2.5L 4Cyl L (150)	MT0225
97	2.5L 4Cyl L (150)	MT0225
	4.0L 6Cyl L (242)	MT0225

Prices shown are meant to be a guide. All prices are subject to change without notice. Call for current price and availability.

JEEP (Con't)			LAND ROVER		
<b>RELAY ENGINE COOLING FAN MOTOR</b>			<b>ACCUMULATOR &amp; RECEIVER DRIERS</b>		
Year	Application	Part No.	Year	Application	Part No.
<b>LIBERTY</b>			<b>RANGE ROVER</b>		
07-04	3.7L 6Cyl V (226) Factory A/C - Low Speed .....	MT0225	02-96	4.6L 8Cyl V (278) w/ PS .....	37-13997
06-05	2.8L 4Cyl L (171) Factory A/C - Hi Speed .....	MT0225	00-95	4.0L 8Cyl V (3950) w/ PS .....	37-13997
05-04	2.4L 4Cyl L (148) Factory A/C - Hi Speed .....	MT0225	95	3.9L 8Cyl V (3950) w/ PS .....	37-13997
<b>SWITCH CLUTCH CYCLE</b>			4.2L 8Cyl V (4200) w/ PS .....		
<b>GRAND CHEROKEE</b>			37-13997		
Year	Application	Part No.	<b>LEXUS</b>		
<b>LIBERTY</b>			<b>ACCUMULATOR &amp; RECEIVER DRIERS</b>		
98-95	4.0L 6Cyl L (242) Clutch Cycling Switch; Accumulator Mounted .....	MT0202	<b>Year Application Part No.</b>		
98	5.2L 8Cyl V (318) Clutch Cycling Switch; Accumulator Mounted .....	MT0202	<b>ES300</b>		
	5.9L 8Cyl V (360) Clutch Cycling Switch; Accumulator Mounted .....	MT0202	01-99	3.0L 6Cyl V (2995) 7 In Tall w/ Dowell Hole To Center .....	37-13997
<b>WRANGLER</b>			98-96	3.0L 6Cyl V (2959) 7 In Tall w/ Dowell Hole To Center; R-134A .....	37-13997
06-05	2.8L 4Cyl L (171) Clutch Cycling Switch; Accumulator Mounted .....	MT1191	95	3.0L 6Cyl V (2995) 7 In Tall w/ Dowell Hole To Center .....	37-13997
06-02	3.7L 6Cyl V (226) Clutch Cycling Switch; Accumulator Mounted .....	MT1191	<b>GS300</b>		
05-02	2.4L 4Cyl L (148) Clutch Cycling Switch; Accumulator Mounted .....	MT1191	97-95	3.0L 6Cyl L (2997) 7 In Tall w/ Dowell Hole To Center .....	37-13997
<b>COMMANDER</b>			<b>LS400</b>		
10-06	3.7L 6Cyl V (226) .....	MT0614	00-96	4.0L 8Cyl V (3969) 7 In Tall w/ Dowell Hole To Center .....	37-13997
	4.7L 8Cyl V (285) .....	MT0614	95	4.0L 8Cyl V (3967) 7 In Tall w/ Dowell Hole To Center .....	37-13997
	5.7L 8Cyl V (345) .....	MT0614	<b>LX450</b>		
<b>COMPASS</b>			97-96	4.5L 6Cyl L (4477) 7 In Tall w/ Dowell Hole To Center .....	37-13997
11-07	2.0L 4Cyl L (122) .....	MT0614	<b>SC300</b>		
	2.4L 4Cyl L (144) .....	MT0614	00-95	3.0L 6Cyl L (2997) 7 In Tall w/ Dowell Hole To Center .....	37-13997
<b>GRAND CHEROKEE</b>			<b>SC400</b>		
11	3.6L 6Cyl V (220) .....	MT0614	00-96	4.0L 8Cyl V (3969) 7 In Tall w/ Dowell Hole To Center .....	37-13997
11-05	5.7L 8Cyl V (345) .....	MT0614	95	4.0L 8Cyl V (3967) 7 In Tall w/ Dowell Hole To Center .....	37-13997
10-07	3.0L 6Cyl V (182) .....	MT0614	<b>AUTOMOTIVE KITS</b>		
10-05	3.7L 6Cyl V (226) .....	MT0614	<b>Year Application Part No.</b>		
	4.7L 8Cyl V (285) .....	MT0614	<b>ES300</b>		
10-06	6.1L 8Cyl V (370) .....	MT0614	02	3.0L 6Cyl V (2995) NEW; O .....	96-25667
06-05	5.7L 8Cyl V (348) .....	MT0614	<b>ES330</b>		
<b>LIBERTY</b>			06-05	3.3L 6Cyl V (202) NEW; O .....	96-25544
12-04	3.7L 6Cyl V (226) .....	MT0614	04	3.3L 6Cyl V (202) NEW; O .....	96-25667
06-05	2.8L 4Cyl L (171) .....	MT0614	<b>RX300</b>		
05-04	2.4L 4Cyl L (148) .....	MT0614	03-02	3.0L 6Cyl V (2995) NEW; O .....	96-25667
<b>PATRIOT</b>			01-99	3.0L 6Cyl V (2995) NEW; O .....	96-25222
12-07	2.0L 4Cyl L (122) .....	MT0614	<b>EVAPORATOR CORES</b>		
	2.4L 4Cyl L (144) .....	MT0614	<b>Year Application Part No.</b>		
<b>TJ</b>			<b>ES350</b>		
06-05	2.4L 4Cyl L (148) .....	MT0614	14-10	3.5L 6Cyl V (3456) .....	27-50065
06-01	4.0L 6Cyl L (242) .....	MT0614	10-07	3.5L 6Cyl V (3456) PLATE FIN .....	27-50065
03	2.4L 4Cyl L (148) .....	MT0614	<b>GX470</b>		
02-01	2.5L 4Cyl L (150) .....	MT0614	09-03	4.7L 8Cyl V (285) Front A/C; Parallel Flow .....	27-50066
<b>WRANGLER</b>			<b>RX350</b>		
11-07	3.8L 6Cyl V (231) .....	MT0614	14-11	3.5L 6Cyl V (3456) .....	27-50065
06-03	2.4L 4Cyl L (148) .....	MT0614	10	3.5L 6Cyl V (3456) NEW .....	27-50065
	4.0L 6Cyl L (241) .....	MT0614	<b>RX450H</b>		
06-97	4.0L 6Cyl L (242) .....	MT0614	14-10	3.5L 6Cyl V (3456) .....	27-50065
02-97	2.5L 4Cyl L (150) .....	MT0614			

Prices shown are meant to be a guide. All prices are subject to change without notice. Call for current price and availability.

**LEXUS (Con't)**

**LINCOLN (Con't)**

EXPANSION VALVES		
Year	Application	Part No.
<b>ES300</b>		
01-99	3.0L 6Cyl V (2995) New: OS	31-30935-AM
98-96	3.0L 6Cyl V (2959) New: OS	31-30935-AM
95	3.0L 6Cyl V (2995) New: OS	31-30935-AM
<b>LX450</b>		
97-96	4.5L 6Cyl L (4477) New: OS	31-30935-AM
<b>SC300</b>		
00-95	3.0L 6Cyl L (2997) Pad Fittings: OS	31-30935-AM

RELAY BLOWER MOTOR		
Year	Application	Part No.
<b>ES300</b>		
00-99	3.0L 6Cyl V (2995)	MT0225
98-96	3.0L 6Cyl V (2959)	MT0225
95	3.0L 6Cyl V (2995)	MT0225

LS400		
00	4.0L 8Cyl V (3969)	MT0225
99-96	4.0L 8Cyl V (3969) w/o Shroud	MT0225
95	4.0L 8Cyl V (3967) w/o Shroud	MT0225

LX470		
00-99	4.7L 8Cyl V (285)	MT0225

RX300		
00-99	3.0L 6Cyl V (2995)	MT0225

SC300		
00-95	3.0L 6Cyl L (2997)	MT0225

SC400		
00-96	4.0L 8Cyl V (3969)	MT0225
95	4.0L 8Cyl V (3967)	MT0225

RELAY ENGINE COOLING FAN MOTOR		
Year	Application	Part No.
<b>ES300</b>		
00-99	3.0L 6Cyl V (2995)	MT0225
98-96	3.0L 6Cyl V (2959)	MT0225
95	3.0L 6Cyl V (2995)	MT0225
<b>RX300</b>		
00-99	3.0L 6Cyl V (2995)	MT0225

RELAY HVAC SYSTEM		
Year	Application	Part No.
<b>RX300</b>		
00-99	3.0L 6Cyl V (2995)	MT0225

**LINCOLN**

ACCUMULATOR & RECEIVER DRIERS		
Year	Application	Part No.

BLACKWOOD		
02	5.4L 8Cyl V (330)	37-23334

NAVIGATOR		
02-98	5.4L 8Cyl V (330)	37-23334

COMPRESSORS		
Year	Application	Part No.

AVIATOR		
05-03	4.6L 8Cyl V (281) Scroll; PV6; w/Comp Guard; New	20-11516-AM

LS		
05-00	3.0L 6Cyl V (182) Scroll; PV6	20-11005-AM

MARK LT		
06	5.4L 8Cyl V (330) Before 12/05/09; FS10; PV6; 12:00 Coil; 4.75in Dia	20-10790-AM

(Cont'd)

COMPRESSORS (Cont'd)		
Year	Application	Part No.

MARK LT (Cont'd)		
06	5.4L 8Cyl V (330) From 12/05/05; FS20; PV6	20-11041-AM

MARK VIII		
98-95	4.6L 8Cyl V (281) FS10; PV6; 4.75in Dia; 12:00 Coil; New	20-10790-AM

NAVIGATOR		
11-10	5.4L 8Cyl V (330)	20-11041-AM
06	5.4L 8Cyl V (330) From 12/05/05; FS20; PV6	20-11041-AM

TOWN CAR		
05-03	4.6L 8Cyl V (281) Scroll; PV6; w/Comp Guard; New	20-11516-AM
02-95	4.6L 8Cyl V (281) FS10; PV6; 4.75in Dia; 12:00 Coil; New	20-10790-AM

EVAPORATOR CORES		
Year	Application	Part No.

MARK LT		
08-06	5.4L 8Cyl V (330)	27-33391

MKX		
14-12	N/A	27-33764
11	3.7L 6Cyl V (227)	27-33764
10	3.5L 6Cyl V (213) AM	27-33764
09-07	3.5L 6Cyl V (213)	27-33764

NAVIGATOR		
06-05	5.4L 8Cyl V (330)	27-33391
06	5.4L 8Cyl V (330), Front Plate/Fin; Front Plate/Fin;	27-33391
05	5.4L 8Cyl V (330), Front Plate/Fin;	27-33391
04-03	5.4L 8Cyl V (330) front A/C	27-33391
	5.4L 8Cyl V (330) Front A/C	27-33391

EXPANSION VALVE ORIFICE TUBES		
Year	Application	Part No.

BLACKWOOD		
02	5.4L 8Cyl V (330) Red	MT0093-1

CONTINENTAL		
02-95	4.6L 8Cyl V (281) Orange; Optional Auto Adj Orifice Tube 3411302	MT0094-1

MARK LT		
08	5.4L 8Cyl V (330) Blue; Optional Auto Adj Orifice Tube 3411302	MT0092-1
08-06	5.4L 8Cyl V (330) Red	MT0093-1

MARK VIII		
98-95	4.6L 8Cyl V (281) Orange; Optional Auto Adj Orifice Tube 3411302	MT0094-1

NAVIGATOR		
01-98	5.4L 8Cyl V (330) Red	MT0093-1

TOWN CAR		
11-06	4.6L 8Cyl V (281) Orange; Optional Auto Adj Orifice Tube 3411302	MT0094-1
05-04	4.6L 8Cyl V (281) Orange	MT0094-1
03-95	4.6L 8Cyl V (281) Orange; Optional Auto Adj Orifice Tube 3411302	MT0094-1

HOSE ASSEMBLIES DISCHARGE		
Year	Application	Part No.

TOWN CAR		
11-06	4.6L 8Cyl V (281)	34-64261

Prices shown are meant to be a guide. All prices are subject to change without notice. Call for current price and availability.

LINCOLN (Con't)			LINCOLN (Con't)		
HOSE ASSEMBLIES MANIFOLD			SWITCH CLUTCH CYCLE (Cont'd)		
Year	Application	Part No.	Year	Application	Part No.
<b>NAVIGATOR</b>			<b>TOWN CAR (Cont'd)</b>		
02-98	5.4L 8Cyl V (330) w/ Rear A/C	34-63758	98-95	4.6L 8Cyl V (281) Black	MT0444
<b>TOWN CAR</b>			97-95	4.6L 8Cyl V (281) Clutch Cycling Switch; Accumulator Mounted; Pigtail 1711464	MT0203
05-03	4.6L 8Cyl V (281)	34-64260	<b>SWITCH PRESSURE TRANSDUCER</b>		
RELAY ACCESSORY POWER			Year Application Part No.		
CONTINENTAL			MKZ		
02-00	4.6L 8Cyl V (281) Located Battery Junction Box (BJB) - PCM Relay	MT0225	12-11	2.5L 4Cyl L (152) 3 Terminals	MT1247
99-97	4.6L 8Cyl V (281) Located Power Distribution Box (BJB) - PCM Relay	MT0225	12-07	3.5L 6Cyl V (213) 3 Terminals	MT1247
MARK LT			ZEPHYR		
08-06	5.4L 8Cyl V (330) Located Central Junction Box (CJB) - PCM Relay	MT0225	06	3.0L 6Cyl V (183) 3 Terminals	MT1247
NAVIGATOR			MAZDA		
06-98	5.4L 8Cyl V (330) Located Central Junction Box (CJB) - PCM Relay	MT0225	ACCUMULATOR & RECEIVER DRIERS		
TOWN CAR			Year Application Part No.		
08-03	4.6L 8Cyl V (281) Located in Battery Junction Box - PCM Relay	MT0225	MPV		
RELAY COMPRESSOR CONTROL			98-96	3.0L 6Cyl V (2954) Denso Made	37-13997
Year Application Part No.			95	3.0L 6Cyl V (2954) Dual A/C	37-13997
AVIATOR			MX-5 MIATA		
05-03	4.6L 8Cyl V (281) Located Battery Junction Box (BJB)	MT0225	13-11	2.0L 4Cyl L (122)	37-19802
LS			09-06	2.0L 4Cyl L (122)	37-19802
06-00	3.9L 8Cyl V (242) Located Underhood Auxiliary Relay Box	MT0225	RX-7		
04-00	3.0L 6Cyl V (182) Located Underhood Auxiliary Relay Box	MT0225	95	1.3L 2Cyl R (1308)	37-13997
MKZ			AUTOMOTIVE KITS		
08-07	3.5L 6Cyl V (213) Located Battery Junction Box (BJB) - Early Production - Mini 5 Pin	MT0225	Year Application Part No.		
TOWN CAR			B3000		
08-01	4.6L 8Cyl V (281) Located Battery Junction Box (BJB)	MT0225	07-01	3.0L 6Cyl V (2954) NEW; O	96-20600
ZEPHYR			03-01	FLEX, 3.0L 6Cyl V (182), RWD	96-20600
06	3.0L 6Cyl V (183) Located in Battery Junction Box - w/ 5 Pin	MT0225	01	FLEX, 3.0L 6Cyl V (182), 4WD	96-20600
SWITCH CLUTCH CYCLE			00-99	3.0L 6Cyl V (182) NEW; O	96-20600
Year Application Part No.			98	3.0L 6Cyl V (2954) NEW; O	96-20600
AVIATOR			B4000		
05-03	4.6L 8Cyl V (281) White	MT0887	00-98	4.0L 6Cyl V (4016) NEW; O	96-20600
BLACKWOOD			COMPRESSORS		
02	5.4L 8Cyl V (330) White	MT0887	Year Application Part No.		
CONTINENTAL			B3000		
02-97	4.6L 8Cyl V (281) White	MT0887	08-01	3.0L 6Cyl V (2954) FS10; PV6; 5in Dia; 3:00 Coil; New	20-10991-AM
96-95	4.6L 8Cyl V (281) Black	MT0444	00-99	3.0L 6Cyl V (182) FS10; New	20-10991-AM
MARK LT			98	3.0L 6Cyl V (2954) FS10; PV6; 5in Dia; 3:00 Coil; New	20-10991-AM
08-06	5.4L 8Cyl V (330) White	MT0887	97-95	3.0L 6Cyl V (2983) FS10; PV6; 5in Dia; 3:00 Coil; New	20-10991-AM
MARK VIII			B4000		
96-95	4.6L 8Cyl V (281) Clutch Cycling Switch; Accumulator Mounted	MT0202	06-02	4.0L 6Cyl V (4016) FS10; PV6; 5in Clutch; 3:00 Coil	20-10991-AM
NAVIGATOR			00-95	4.0L 6Cyl V (4016) FS10; PV6; 5in Dia; 3:00 Coil; New	20-10991-AM
05-03	5.4L 8Cyl V (330) White	MT0887	TRIBUTE		
02-98	5.4L 8Cyl V (330) Black	MT0444	06	3.0L 6Cyl V (183) FS10	20-10795-AM
TOWN CAR			05	3.0L 6Cyl V (182) FS10	20-10795-AM
02-99	4.6L 8Cyl V (281) White	MT0887	04	3.0L 6Cyl V (183) FS10	20-10795-AM
(Cont'd)			03-01	3.0L 6Cyl V (2954) FS10	20-10795-AM

Prices shown are meant to be a guide. All prices are subject to change without notice. Call for current price and availability.

**MAZDA (Con't)**

**MAZDA (Con't)**

**EVAPORATOR CORES**

Year	Application	Part No.
<b>CX-9</b>		
14-12	N/A	27-33764
11-08	3.7L 6Cyl V (227)	27-33764
07	3.5L 6Cyl V (213)	27-33764

**EXPANSION VALVE ORIFICE TUBES**

Year	Application	Part No.
<b>B2300</b>		
10-09	2.3L 4Cyl L (2300) RED ORIFICE TUBE	MT0092-1
08-02	2.3L 4Cyl L (2300) Blue	MT0092-1
01	2.3L 4Cyl L (2294) Blue	MT0092-1

**B2500**

01-00	2.5L 4Cyl L (2492) Red	MT0093-1
-------	---------------------------	----------

**B3000**

07-04	3.0L 6Cyl V (2954) Red	MT0093-1
03-99	3.0L 6Cyl V (182) Red	MT0093-1
98	3.0L 6Cyl V (2954) Red	MT0093-1
97-95	3.0L 6Cyl V (2983) Blue	MT0092-1

**B4000**

10	4.0L 6Cyl V (4016) Blue; Optional Auto Adj Orifice Tube 3411302	MT0092-1
	4.0L 6Cyl V (4016) Red	MT0093-1
09	4.0L 6Cyl V (4016)	MT0093-1
08	4.0L 6Cyl V (4016) Blue; Optional Auto Adj Orifice Tube 3411302	MT0092-1
08-98	4.0L 6Cyl V (4016) Red	MT0093-1
97-95	4.0L 6Cyl V (4016) Blue	MT0092-1

**TRIBUTE**

06-05	2.3L 4Cyl L (140) Orange; Optional Auto Adj Orifice Tube 3411302	MT0094-1
06	3.0L 6Cyl V (183) Orange; Optional Auto Adj Orifice Tube 3411302	MT0094-1
05	3.0L 6Cyl V (182) Orange; Optional Auto Adj Orifice Tube 3411302	MT0094-1
04	2.0L 4Cyl L (1991) Orange; Optional Auto Adj Orifice Tube 3411302	MT0094-1
	3.0L 6Cyl V (183) Orange; Optional Auto Adj Orifice Tube 3411302	MT0094-1
03-01	2.0L 4Cyl L (1991) Orange	MT0094-1
	3.0L 6Cyl V (2954) Orange	MT0094-1

**EXPANSION VALVES**

Year	Application	Part No.
------	-------------	----------

**RX-7**

95	1.3L 2Cyl R (1308) R-134a; OS	31-30935-AM
----	----------------------------------	-------------

**SWITCH CLUTCH CYCLE**

Year	Application	Part No.
------	-------------	----------

**B2300**

97-95	2.3L 4Cyl L (2295) Clutch Cycling Switch; Accumulator Mounted	MT0202
-------	--	--------

**B2500**

99-98	2.5L 4Cyl L (2492) Black	MT0444
-------	-----------------------------	--------

**B3000**

99	3.0L 6Cyl V (182) Black	MT0444
98	3.0L 6Cyl V (2954) Black	MT0444
97	3.0L 6Cyl V (2983) Black	MT0444

(Cont'd)

**SWITCH CLUTCH CYCLE (Cont'd)**

Year	Application	Part No.
------	-------------	----------

**B3000 (Cont'd)**

97-95	3.0L 6Cyl V (2983) Clutch Cycling Switch; Accumulator Mounted	MT0202
-------	--	--------

**B4000**

99-97	4.0L 6Cyl V (4016) Black	MT0444
-------	-----------------------------	--------

97-95	4.0L 6Cyl V (4016) Clutch Cycling Switch; Accumulator Mounted	MT0202
-------	--	--------

**SWITCH PRESSURE TRANSDUCER**

Year	Application	Part No.
------	-------------	----------

**3**

12-10	2.0L 4Cyl L (122) 3 Terminals	MT1202
	2.3L 4Cyl L (138) 3 Terminals	MT1202
	2.3L 4Cyl L (2260) 3 Terminals	MT1202
	2.5L 4Cyl L (152) 3 Terminals	MT1202

**3 SPORT**

12	2.0L 4Cyl L (122) 3 Terminals	MT1202
	2.5L 4Cyl L (152) 3 Terminals	MT1202

**5**

12	2.5L 4Cyl L (152) 3 Terminals	MT1202
----	----------------------------------	--------

**CX-7**

12-10	2.3L 4Cyl L (138) 3 Terminals	MT1202
12-07	2.3L 4Cyl L (2260) 3 Terminals	MT1202
12-10	2.5L 4Cyl L (152) 3 Terminals	MT1202

**MERCURY**

**ACCUMULATOR & RECEIVER DRIERS**

Year	Application	Part No.
------	-------------	----------

**MONTEGO**

05	3.0L 6Cyl V (183) Before 3/2/05	34-63345
----	------------------------------------	----------

**SABLE**

01-96	3.0L 6Cyl V (182) w/ Suction Hose; Switch 1711362; Switch O-Ring 1311405; Pigtail 1711464	34-63596
-------	--	----------

**AUTOMOTIVE KITS**

Year	Application	Part No.
------	-------------	----------

**MOUNTAINEER**

05-02	4.0L 6Cyl V (245) NEW; O	96-24327
01-98	4.0L 6Cyl V (245) NEW; O	96-20600

**COMPRESSORS**

Year	Application	Part No.
------	-------------	----------

**COUGAR**

02-99	2.5L 6Cyl V (155) FS10; New	20-10795-AM
97	4.6L 8Cyl V (281) FS10; PV6; New; PV6; 12:00 Coil; 4.75in Dia	20-10790-AM
96-95	4.6L 8Cyl V (281) New	20-10790-AM

**GRAND MARQUIS**

05-04	4.6L 8Cyl V (281) Scroll; PV6; New	20-11516-AM
03	4.6L 8Cyl V (281) New	20-11516-AM
02-95	4.6L 8Cyl V (281) FS10; PV6; New; PV6; 12:00 Coil; 4.75in Dia	20-10790-AM

Prices shown are meant to be a guide. All prices are subject to change without notice. Call for current price and availability.

MERCURY (Con't)			MERCURY (Con't)		
COMPRESSORS (Cont'd)			EXPANSION VALVE ORIFICE TUBES (Cont'd)		
Year	Application	Part No.	Year	Application	Part No.
<b>MARAUDER</b>			<b>MOUNTAINEER (Cont'd)</b>		
04-03	4.6L 8Cyl V (281) Scroll; PV6; New	20-11516-AM	10-98	4.0L 6Cyl V (245) Red	MT0093-1
<b>MARINER</b>			10-06	4.6L 8Cyl V (281) Blue	MT0092-1
07-05	3.0L 6Cyl V (183) FS10; New	20-10795-AM	10-02	4.6L 8Cyl V (281) Red	MT0093-1
05	3.0L 6Cyl V (182) FS10; New	20-10795-AM	01-97	5.0L 8Cyl V (302) Red	MT0093-1
<b>MONTEGO</b>			<b>MYSTIQUE</b>		
07-05	3.0L 6Cyl V (183) Scroll; PV6	20-21943-AM	00-95	2.0L 4Cyl L (121) Orange; Optional Auto Adj Orifice Tube 3411302	MT0094-1
<b>MYSTIQUE</b>				2.5L 6Cyl V (155) Orange; Optional Auto Adj Orifice Tube 3411302	MT0094-1
00-95	2.5L 6Cyl V (155) FS10; New	20-10795-AM	<b>SABLE</b>		
<b>SABLE</b>			05-95	3.0L 6Cyl V (182) Orange; Optional Auto Adj Orifice Tube 3411302	MT0094-1
05-02	3.0L 6Cyl V (182) FS10; PV6; New	20-11035-AM	03	3.0L 6Cyl V (183) Orange; Optional Auto Adj Orifice Tube 3411302	MT0094-1
04-02	3.0L 6Cyl V (183) FS10; PV6; 3:00 Coil	20-11035-AM	95	3.8L 6Cyl V (232) Orange	MT0094-1
01	3.0L 6Cyl V (182) FS10; PV6; 3:00 Coil	20-11035-AM	<b>TRACER</b>		
95	3.8L 6Cyl V (232) FS10; PV6; 5in Clutch; 12:00 Coil	20-10583-AM	99-97	2.0L 4Cyl L (121) Orange; Optional Auto Adj Orifice Tube 3411302	MT0094-1
<b>EVAPORATOR CORES</b>			96-95	1.8L 4Cyl L (112) Orange; Optional Auto Adj Orifice Tube 3411302	MT0094-1
Year	Application	Part No.		1.9L 4Cyl L (116) Orange; Optional Auto Adj Orifice Tube 3411302	MT0094-1
<b>MILAN</b>			<b>VILLAGER</b>		
07	2.3L 4Cyl L (140) 3.0L 6Cyl V (183)	27-33391 27-33391	02-99	3.3L 6Cyl V (3275) Blue	MT0092-1
<b>EXPANSION VALVE ORIFICE TUBES</b>				3.3L 6Cyl V (3275), Front Orange; Optional Auto Adj Orifice Tube 3411302	MT0094-1
Year	Application	Part No.	01-99	3.3L 6Cyl V (3275), Front Blue; Optional Auto Adj Orifice Tube 3411302	MT0092-1
<b>COUGAR</b>			98-95	3.0L 6Cyl V (182) Blue	MT0092-1
02-99	2.0L 4Cyl L (121) Orange; Optional Auto Adj Orifice Tube 3411302	MT0094-1	98-97	3.0L 6Cyl V (182), Front Blue; Optional Auto Adj Orifice Tube 3411302	MT0092-1
	2.5L 6Cyl V (155) Orange; Optional Auto Adj Orifice Tube 3411302	MT0094-1	98-95	3.0L 6Cyl V (182), Front Orange; Optional Auto Adj Orifice Tube 3411302	MT0094-1
97	3.8L 6Cyl V (232) Orange; Optional Auto Adj Orifice Tube 3411302	MT0094-1	<b>HOSE ASSEMBLIES DISCHARGE</b>		
	4.6L 8Cyl V (281) Orange; Optional Auto Adj Orifice Tube 3411302	MT0094-1	<b>Year Application Part No.</b>		
96-95	3.8L 6Cyl V (232) Orange	MT0094-1	<b>GRAND MARQUIS</b>		
	4.6L 8Cyl V (281) Orange	MT0094-1	11-06	4.6L 8Cyl V (281)	34-64261
<b>GRAND MARQUIS</b>			<b>HOSE ASSEMBLIES LIQUID LINE</b>		
11-09	4.6L 8Cyl V (281) Orange; Optional Auto Adj Orifice Tube 3411302	MT0094-1	<b>Year Application Part No.</b>		
08	4.6L 8Cyl V (281) Orange	MT0094-1	<b>SABLE</b>		
07-04	4.6L 8Cyl V (281) Orange; Optional Auto Adj Orifice Tube 3411302	MT0094-1	05-00	3.0L 6Cyl V (182) Contains Orifice Tube; Condenser Side of Two Piece Line	34-63756
03	4.6L 8Cyl V (281) Orange	MT0094-1	04-02	3.0L 6Cyl V (183) Contains Orifice Tube; Condenser Side of Two Piece Line	34-63756
02-95	4.6L 8Cyl V (281) Orange; Optional Auto Adj Orifice Tube 3411302	MT0094-1	<b>HOSE ASSEMBLIES MANIFOLD</b>		
<b>MARAUDER</b>			<b>Year Application Part No.</b>		
04-03	4.6L 8Cyl V (281) Orange; Optional Auto Adj Orifice Tube 3411302	MT0094-1	<b>GRAND MARQUIS</b>		
<b>MARINER</b>			05-03	4.6L 8Cyl V (281)	34-64260
07-05	2.3L 4Cyl L (140), Front Orange; Optional Auto Adj Orifice Tube 3411302	MT0094-1	<b>MARAUDER</b>		
07-06	3.0L 6Cyl V (183) Orange; Optional Auto Adj Orifice Tube 3411302	MT0094-1	04-03	4.6L 8Cyl V (281)	34-64260
05	3.0L 6Cyl V (182) Orange; Optional Auto Adj Orifice Tube 3411302	MT0094-1	<b>RELAY ACCESSORY POWER</b>		
<b>MONTEREY</b>			<b>Year Application Part No.</b>		
07	4.2L 6Cyl V (256), Front Orange; Optional Auto Adj Orifice Tube 3411302	MT0094-1	<b>GRAND MARQUIS</b>		
06-04	4.2L 6Cyl V (256) Orange; Optional Auto Adj Orifice Tube 3411302	MT0094-1	08-03	4.6L 8Cyl V (281) Located in Battery Junction Box - PCM Relay	MT0225
<b>MOUNTAINEER</b>			<b>MARAUDER</b>		
10-06	4.0L 6Cyl V (245) Blue	MT0092-1	04-03	4.6L 8Cyl V (281) Located in Battery Junction Box - PCM Relay	MT0225
(Cont'd)			<b>MONTEREY</b>		
			07-04	4.2L 6Cyl V (256) Located Bussed Electrical Center (BEC) - PCM Relay	MT0225

Prices shown are meant to be a guide. All prices are subject to change without notice. Call for current price and availability.



MERCURY (Con't)			MERCURY (Con't)		
RELAY BLOWER MOTOR			SWITCH CLUTCH CYCLE (Cont'd)		
Year	Application	Part No.	Year	Application	Part No.
<b>MARINER</b>			<b>MOUNTAINEER (Cont'd)</b>		
08	2.3L 4Cyl L (140) Located in Battery Junction Box (BJB) .....	MT0225	05-02	4.6L 8Cyl V (281) White .....	MT0887
	3.0L 6Cyl V (183) Located in Battery Junction Box (BJB) .....	MT0225	01-98	4.0L 6Cyl V (245) Black .....	MT0444
<b>MONTEREY</b>			01-97	5.0L 8Cyl V (302) Black .....	MT0444
07-04	4.2L 6Cyl V (256) Located Bussed Electrical Center (BEC) - Auxiliary Rear Blower ..	MT0225	97	5.0L 8Cyl V (302) Clutch Cycling Switch; Accumulator Mounted .....	MT0202
<b>RELAY COMPRESSOR CONTROL</b>			<b>MYSTIQUE</b>		
Year	Application	Part No.	Year	Application	Part No.
<b>GRAND MARQUIS</b>			00-95	2.0L 4Cyl L (121) Clutch Cycling Switch; Accumulator Mounted; Pigtail 1711464 ..	MT0203
08-01	4.6L 8Cyl V (281) Located Battery Junction Box (BJB) .....	MT0225	00-96	2.0L 4Cyl L (121) White .....	MT0887
<b>MARAUDER</b>				2.5L 6Cyl V (155) Black .....	MT0444
04-03	4.6L 8Cyl V (281) Located Battery Junction Box (BJB) .....	MT0225	<b>SABLE</b>		
<b>MARINER</b>			01-96	3.0L 6Cyl V (182) Clutch Cycling Switch; Accumulator Mounted; Pigtail 1711464 ..	MT0203
07-05	2.3L 4Cyl L (140) Located in Battery Junction Box (BJB) .....	MT0225	01-97	3.0L 6Cyl V (182) White .....	MT0887
	3.0L 6Cyl V (183) Located in Battery Junction Box (BJB) .....	MT0225	96	3.0L 6Cyl V (182) Black .....	MT0444
05	3.0L 6Cyl V (182) Located in Battery Junction Box (BJB) .....	MT0225	95	3.0L 6Cyl V (182) Clutch Cycling Switch; Accumulator Mounted .....	MT0202
<b>MONTEGO</b>				3.8L 6Cyl V (232) Clutch Cycling Switch; Accumulator Mounted .....	MT0202
06-05	3.0L 6Cyl V (183) Located in Battery Junction Box - (BJB) .....	MT0225	<b>TRACER</b>		
<b>RELAY ENGINE COOLING FAN MOTOR</b>			99-97	2.0L 4Cyl L (121) Black .....	MT0444
Year	Application	Part No.		2.0L 4Cyl L (121) Clutch Cycling Switch; Accumulator Mounted; Pigtail 1711464 ..	MT0203
<b>MARINER</b>			96-95	1.8L 4Cyl L (112) Clutch Cycling Switch; Accumulator Mounted .....	MT0202
08	2.3L 4Cyl L (140) Located Battery Junction Box (BJB) - Engine Cool Fan - Hi Speed	MT0225	<b>VILLAGER</b>		
	3.0L 6Cyl V (183) Located Battery Junction Box (BJB) - Engine Cool Fan - Hi Speed	MT0225	02-99	3.3L 6Cyl V (3275) Clutch Cycling Switch; Accumulator Mounted .....	MT0202
<b>SWITCH CLUTCH CYCLE</b>				3.3L 6Cyl V (3275) White .....	MT0887
Year	Application	Part No.	98	3.0L 6Cyl V (182) Clutch Cycling Switch; Accumulator Mounted .....	MT0202
<b>COUGAR</b>			<b>MITSUBISHI</b>		
02-99	2.0L 4Cyl L (121) Clutch Cycling Switch; Accumulator Mounted; Pigtail 1711464 ..	MT0203	<b>ACCUMULATOR &amp; RECEIVER DRIERS</b>		
	2.0L 4Cyl L (121) White .....	MT0887	<b>Year Application Part No.</b>		
	2.5L 6Cyl V (155) White .....	MT0887	95	3.0L 6Cyl V (181), Wagon .....	37-13997
97	3.8L 6Cyl V (232) Black .....	MT0444	<b>ECLIPSE</b>		
	3.8L 6Cyl V (232) Clutch Cycling Switch; Accumulator Mounted; Pigtail 1711464 ..	MT0203	98-97	2.0L 4Cyl L (122), Naturally Aspirated(Eng Asp) 7 In Tall w/ Dowell Hole To Center .....	37-13997
	4.6L 8Cyl V (281) Black .....	MT0444	96	2.0L 4Cyl L (122), Naturally Aspirated(Eng Asp) New .....	37-13997
	4.6L 8Cyl V (281) Clutch Cycling Switch; Accumulator Mounted .....	MT0202		2.4L 4Cyl L (2351), Naturally Aspirated(Eng Asp) New .....	37-13997
<b>GRAND MARQUIS</b>			95	GS, 2.0L 4Cyl L (122), Naturally Aspirated(Eng Asp) .....	37-13997
02-99	4.6L 8Cyl V (281) White .....	MT0887	<b>EXPO</b>		
98-95	4.6L 8Cyl V (281) Black .....	MT0444	95	2.4L 4Cyl L (2351) 7 In Tall w/ Dowell Hole To Center .....	37-13997
97-95	4.6L 8Cyl V (281) Clutch Cycling Switch; Accumulator Mounted; Pigtail 1711464 ..	MT0203	<b>MONTERO</b>		
<b>MARINER</b>			00-97	3.5L 6Cyl V (215) 7 In Tall w/ Dowell Hole To Center .....	37-13997
07-05	2.3L 4Cyl L (140) Black .....	MT0444	96-95	3.0L 6Cyl V (181) 7 In Tall w/ Dowell Hole To Center .....	37-13997
	3.0L 6Cyl V (183) Black .....	MT0444	<b>EXPANSION VALVES</b>		
05	3.0L 6Cyl V (182) Black .....	MT0444	<b>Year Application Part No.</b>		
<b>MONTEREY</b>			<b>MONTERO</b>		
07-04	4.2L 6Cyl V (256) White .....	MT0887	00-97	3.5L 6Cyl V (215) New; OS .....	31-30935-AM
<b>MOUNTAINEER</b>			96-95	3.0L 6Cyl V (181) Pad Fittings; OS .....	31-30935-AM
05-02	4.0L 6Cyl V (245) White .....	MT0887		3.5L 6Cyl V (215) Pad Fittings; OS .....	31-30935-AM
(Cont'd)					

Prices shown are meant to be a guide. All prices are subject to change without notice. Call for current price and availability.

MITSUBISHI (Con't)			NISSAN (Con't)		
SWITCH PRESSURE TRANSDUCER			ACCUMULATOR & RECEIVER DRIERS (Cont'd)		
Year	Application	Part No.	Year	Application	Part No.
<b>RAIDER</b>			<b>SENTRA (Cont'd)</b>		
09-06	3.7L 6Cyl V (226) 3 Terminals	MT0614	99	1.6L 4Cyl L (97) 5.90 Tall x 2.36 Dia	37-13570
07-06	4.7L 8Cyl V (285) 3 Terminals	MT0614	98	2.0L 4Cyl L (1998) 5.90 Tall x 2.36 Dia	37-13570
<b>NISSAN</b>			98		
<b>ACCUMULATOR &amp; RECEIVER DRIERS</b>			1.6L 4Cyl L (97)		
<b>Year Application Part No.</b>			2.0L 4Cyl L (122)		
<b>200SX</b>			<b>TITAN</b>		
98	2.0L 4Cyl L (1998) New	37-13570	08	5.6L 8Cyl V (342) 9.37 Tall x 1.57 Dia	37-19802
<b>370Z</b>			07	5.6L 8Cyl V (342) 5.6L 8Cyl V (5552)	37-19802
10-09	3.7L 6Cyl V (3696) 9.37 Tall x 1.57 Dia	37-19802	<b>VERSА</b>		
<b>ALTIMA</b>			12-11	1.6L 4Cyl L (1598) 11-12 HATCHBACK; 2011 SEDAN ONLY	37-19802
12	2.5L 4Cyl L (2500)	37-19802	12	1.8L 4Cyl L (1798) 11-12 HATCHBACK; 2011 SEDAN ONLY	37-19802
	3.5L 6Cyl V (3498)	37-19802	11	1.8L 4Cyl L (1798)	37-19802
06-02	2.5L 4Cyl L (2500)	37-19802	10-09	1.6L 4Cyl L (1598) 8D0260805M /From VIN V006772	37-19802
	3.5L 6Cyl V (3498)	37-19802	10-07	1.8L 4Cyl L (1798) 8D0260805M /From VIN V006772	37-19802
01-98	2.4L 4Cyl L (2389)	37-13570	<b>XTERRA</b>		
<b>ARMADA</b>			04-03	2.4L 4Cyl L (2389)	37-19802
06	5.6L 8Cyl V (5552) 9.37 Tall x 1.57 Dia	37-19802	02-00	3.3L 6Cyl V (3275) 2.4L 4Cyl L (2389) 3.3L 6Cyl V (3275)	37-19802 37-13570 37-13570
05	5.6L 8Cyl V (342) 5.6L 8Cyl V (5552)	37-19802	<b>COMPRESSORS</b>		
<b>CUBE</b>			<b>Year Application Part No.</b>		
12-11	1.8L 4Cyl L (1798)	37-19802	<b>ALTIMA</b>		
10-09	1.8L 4Cyl L (1798) 8D0260805M /From VIN V006772	37-19802	13	2.5L 4Cyl L (152) COUPE ONLY	20-11570
<b>FRONTIER</b>			12-11	2.5L 4Cyl L (152)	20-11570
04-03	2.4L 4Cyl L (2389)	37-19802	12-10	2.5L 4Cyl L (2500) OEM Type	20-11570
	3.3L 6Cyl V (3275)	37-19802	09	3.5L 6Cyl V (3498) DCS171C; PV6; OEM	20-11570
02-98	2.4L 4Cyl L (2389)	37-13570		S, 2.5L 4Cyl L (2500) OEM Type	20-11570
02-99	3.3L 6Cyl V (3275)	37-13570	08	SL, 2.5L 4Cyl L (2500) OEM Type	20-11570
<b>GT-R</b>			07	2.5L 4Cyl L (2500) OEM Type	20-11570
09	3.8L 6Cyl V (3799) 9.37 Tall x 1.57 Dia	37-19802	<b>SENTRA</b>		
<b>MAXIMA</b>			12	2.5L 4Cyl L (152)	20-11570
12	3.5L 6Cyl V (3498)	37-19802	12-10	2.5L 4Cyl L (2500) OEM Type	20-11570
08-02	3.5L 6Cyl V (3498)	37-19802	08-07	2.5L 4Cyl L (2500) w/ Clutch; OEM Type	20-11570
01-00	3.0L 6Cyl V (182) Before 10/1/00	37-13570	<b>EVAPORATOR CORES</b>		
	3.0L 6Cyl V (182) From 10/1/00	37-19802	<b>Year Application Part No.</b>		
99	3.0L 6Cyl V (182)	37-13570	<b>VERSА</b>		
<b>MURANO</b>			11-09	1.6L 4Cyl L (1598)	27-50068
07-03	3.5L 6Cyl V (3498)	37-19802	11-07	1.8L 4Cyl L (1798)	27-50068
<b>PATHFINDER</b>			<b>EXPANSION VALVE ORIFICE TUBES</b>		
04-03	3.5L 6Cyl V (3498)	37-19802	<b>Year Application Part No.</b>		
04	5.6L 8Cyl V (342) 5.6L 8Cyl V (5552)	37-19802	<b>QUEST</b>		
02	3.5L 6Cyl V (3498) Flat-Top; 7" long	37-13570	02-99	3.3L 6Cyl V (3275) Blue	MT0092-1
	3.5L 6Cyl V (3498) Flat-Top; 9" long	37-19802	02-01	3.3L 6Cyl V (3275) Orange; Optional Auto Adj Orifice Tube 3411302	MT0094-1
01	3.5L 6Cyl V (3498)	37-13570	00-99	3.3L 6Cyl V (3275), Front Orange; Optional Auto Adj Orifice Tube 3411302	MT0094-1
00-98	3.3L 6Cyl V (3275)	37-13570	98-95	3.0L 6Cyl V (181) Blue	MT0092-1
<b>ROGUE</b>				3.0L 6Cyl V (181), Front Orange; Optional Auto Adj Orifice Tube 3411302	MT0094-1
12	2.5L 4Cyl L (2500)	37-19802	<b>Year Application Part No.</b>		
<b>SENTRA</b>			<b>Year Application Part No.</b>		
06-02	1.8L 4Cyl L (1809)	37-19802	<b>Year Application Part No.</b>		
	2.5L 4Cyl L (2500)	37-19802	<b>Year Application Part No.</b>		
01-00	1.8L 4Cyl L (1809) USA Built	37-13570	<b>Year Application Part No.</b>		
	2.0L 4Cyl L (122) USA Built	37-13570	<b>Year Application Part No.</b>		
	2.0L 4Cyl L (1998) USA Built	37-13570	<b>Year Application Part No.</b>		
(Cont'd)			<b>Year Application Part No.</b>		

Prices shown are meant to be a guide. All prices are subject to change without notice. Call for current price and availability.

NISSAN (Con't)			NISSAN (Con't)		
EXPANSION VALVES			SWITCH PRESSURE TRANSDUCER (Cont'd)		
Year	Application	Part No.	Year	Application	Part No.
<b>240SX</b>			<b>PATHFINDER (Cont'd)</b>		
98-97	N/A OS	31-30935-AM	09-08	5.6L 8Cyl V (5552) 3 Terminals	MT1202
<b>HOSE ASSEMBLIES DISCHARGE</b>			04-01	3.5L 6Cyl V (211) 3 Terminals	MT1202
<b>Year Application Part No.</b>			04	3.5L 6Cyl V (3498) 3 Terminals	MT1202
<b>ALTIMA</b>			04	5.6L 8Cyl V (342) 3 Terminals	MT1202
06-02	2.5L 4Cyl L (2500)	34-63935		5.6L 8Cyl V (5552) 3 Terminals	MT1202
<b>MAXIMA</b>			<b>QUEST</b>		
08-04	3.5L 6Cyl V (3498)	34-63779	09-04	3.5L 6Cyl V (3498) 3 Terminals	MT1202
<b>HOSE ASSEMBLIES SUCTION</b>			<b>ROGUE</b>		
<b>Year Application Part No.</b>			12-10	2.5L 4Cyl L (2500)	MT1202
<b>ALTIMA</b>			09-08	2.5L 4Cyl L (2500) 3 Terminals	MT1202
06-02	2.5L 4Cyl L (2500)	34-63777	<b>SENTRA</b>		
<b>SWITCH CLUTCH CYCLE</b>			06-01	1.8L 4Cyl L (108) 3 Terminals	MT1202
<b>Year Application Part No.</b>			06-04	1.8L 4Cyl L (1769) 3 Terminals	MT1202
<b>QUEST</b>			06-00	1.8L 4Cyl L (1809) 3 Terminals	MT1202
02-99	3.3L 6Cyl V (3275) Clutch Cycling Switch; Accumulator Mounted	MT0202	06-02	2.5L 4Cyl L (2500) 3 Terminals	MT1202
99	3.3L 6Cyl V (3275) Black	MT0444	01-00	2.0L 4Cyl L (122) 3 Terminals	MT1202
98	3.0L 6Cyl V (181) Black	MT0444		2.0L 4Cyl L (1998) 3 Terminals	MT1202
96-95	3.0L 6Cyl V (181) Clutch Cycling Switch; Accumulator Mounted; Pigtail 1711464	MT0203	<b>VERSA</b>		
<b>SWITCH PRESSURE TRANSDUCER</b>			12-09	1.6L 4Cyl L (1598)	MT1202
<b>Year Application Part No.</b>			12-07	1.8L 4Cyl L (1798)	MT1202
<b>350Z</b>			<b>XTERRA</b>		
09-04	3.5L 6Cyl V (3498) 3 Terminals	MT1202	11-05	4.0L 6Cyl V (3954)	MT1202
03	3.5L 6Cyl V (213) 3 Terminals	MT1202	<b>X-TRAIL</b>		
<b>ALTIMA</b>			06-05	2.5L 4Cyl L (2500)	MT1202
12-09	2.5L 4Cyl L (2500)	MT1202	<b>SWITCH TRINARY</b>		
	3.5L 6Cyl V (3498)	MT1202	<b>Year Application Part No.</b>		
08-02	2.5L 4Cyl L (2500) 3 Terminals	MT1202	<b>240SX</b>		
	3.5L 6Cyl V (3498) 3 Terminals	MT1202	98-97	2.4L 4Cyl L (2389) Hi-Low Pressure and Cooling Fan Control	MT0589
<b>CUBE</b>			<b>ALTIMA</b>		
11-09	1.8L 4Cyl L (1798) 8D0260805M /FROM VIN V006772	MT1202	01-99	2.4L 4Cyl L (2389) Hi-Low Pressure and Cooling Fan Control	MT0589
<b>FRONTIER</b>			98	2.4L 4Cyl L (2389)	MT0589
12-10	2.5L 4Cyl L (2500)	MT1202	<b>FRONTIER</b>		
	4.0L 6Cyl V (3954)	MT1202	04-99	3.3L 6Cyl V (3275) Hi-Low Pressure and Cooling Fan Control	MT0589
09-05	2.5L 4Cyl L (2500) 3 Terminals	MT1202	<b>MAXIMA</b>		
	4.0L 6Cyl V (3954) 3 Terminals	MT1202	99-97	3.0L 6Cyl V (182) Hi-Low Pressure and Cooling Fan Control	MT0589
<b>JUKE</b>			<b>XTERRA</b>		
12-11	1.6L 4Cyl L (1618)	MT1202	04-00	3.3L 6Cyl V (3275) Hi-Low Pressure and Cooling Fan Control	MT0589
<b>LEAF</b>			<b>OLDSMOBILE</b>		
12-11	ELECTRIC, -L -Cyl - (-)	MT1202	<b>COMPRESSORS</b>		
<b>MAXIMA</b>			<b>Year Application Part No.</b>		
12-10	3.5L 6Cyl V (3498)	MT1202	<b>BRAVADA</b>		
09-02	3.5L 6Cyl V (3498) 3 Terminals	MT1202	01-98	4.3L 6Cyl V (262) HT6; PV6; 2.00 Coil; 4.33in Dia	20-10694-AM
01-00	3.0L 6Cyl V (182) 3 Terminals	MT1202	<b>EXPANSION VALVE ORIFICE TUBES</b>		
<b>MURANO</b>			<b>Year Application Part No.</b>		
12-10	3.5L 6Cyl V (3498)	MT1202	<b>88</b>		
09-03	3.5L 6Cyl V (3498) 3 Terminals	MT1202	99-95	3.8L 6Cyl V (231) EVAPORATOR MOUNTING	MT0097-1
<b>PATHFINDER</b>					
12-10	4.0L 6Cyl V (3954)	MT1202			
	5.6L 8Cyl V (5552)	MT1202			
09-05	4.0L 6Cyl V (3954) 3 Terminals	MT1202			
(Cont'd)					

Prices shown are meant to be a guide. All prices are subject to change without notice. Call for current price and availability.

OLDSMOBILE (Con't)			OLDSMOBILE (Con't)		
EXPANSION VALVE ORIFICE TUBES (Cont'd)			SWITCH PRESSURE TRANSDUCER (Cont'd)		
Year	Application	Part No.	Year	Application	Part No.
<b>ALERO</b>			<b>ALERO (Cont'd)</b>		
04-02	2.2L 4Cyl L (134) Brown	MT0099-1	01-99	2.4L 4Cyl L (146) 3 Terminals	MT1339
04-00	3.4L 6Cyl V (207) Brown	MT0099-1		3.4L 6Cyl V (207) 3 Terminals	MT1339
01-00	2.4L 4Cyl L (146) Brown	MT0099-1	<b>AURORA</b>		
<b>AURORA</b>			03	4.0L 8Cyl V (244) 3 Terminals	MT1247
99-95	4.0L 8Cyl V (244) EVAPORATOR MOUNTING	MT0097-1	02-01	3.5L 6Cyl V (214) 3 Terminals	MT1339
<b>BRAVADA</b>				4.0L 8Cyl V (244) 3 Terminals	MT1339
04-02	4.2L 6Cyl L (256) EVAPORATOR MOUNTING	MT0097-1	<b>BRAVADA</b>		
01-96	4.3L 6Cyl V (262) EVAPORATOR MOUNTING	MT0097-1	04-02	4.2L 6Cyl L (256) 3 Terminals	MT1339
<b>CUTLASS</b>			<b>CUTLASS</b>		
99-97	3.1L 6Cyl V (189) Brown	MT0099-1	99-97	3.1L 6Cyl V (189) 3 Terminals	MT1339
<b>CUTLASS CIERA</b>			<b>CUTLASS CIERA</b>		
96-95	2.2L 4Cyl L (134) EVAPORATOR MOUNTING	MT0097-1	96-95	2.2L 4Cyl L (134) 3 Terminals	MT1339
	3.1L 6Cyl V (189) EVAPORATOR MOUNTING	MT0097-1		3.1L 6Cyl V (189) 3 Terminals	MT1339
<b>INTRIGUE</b>			<b>CUTLASS SUPREME</b>		
02-99	3.5L 6Cyl V (214) Gray/ White	MT0924-1	97-95	3.1L 6Cyl V (189) 3 Terminals	MT1339
99	3.8L 6Cyl V (231) Gray/ White	MT0924-1	96-95	3.4L 6Cyl V (207) 3 Terminals	MT1339
<b>SILHOUETTE</b>			<b>INTRIGUE</b>		
96	3.4L 6Cyl V (207) EVAPORATOR MOUNTING	MT0097-1	02-99	3.5L 6Cyl V (214) 3 Terminals	MT1339
95	3.8L 6Cyl V (231) EVAPORATOR MOUNTING	MT0097-1	99-98	3.8L 6Cyl V (231) 3 Terminals	MT1339
<b>SENSOR REFRIGERANT TEMPERATURE</b>			<b>LSS</b>		
<b>AURORA</b>			99-96	3.8L 6Cyl V (231) 3 Terminals	MT1339
03-01	4.0L 8Cyl V (244)	MT1323	<b>REGENCY</b>		
02-01	3.5L 6Cyl V (214)	MT1323	98-97	3.8L 6Cyl V (231) 3 Terminals	MT1339
99-95	4.0L 8Cyl V (244)	MT1323	<b>SILHOUETTE</b>		
<b>SWITCH CLUTCH CYCLE</b>			04-03	3.4L 6Cyl V (207) 3 Terminals	MT1247
<b>BRAVADA</b>			02-96	3.4L 6Cyl V (207) 3 Terminals	MT1339
04-02	4.2L 6Cyl L (256)	MT0968	<b>PLYMOUTH</b>		
01-96	4.3L 6Cyl V (262)	MT0205	<b>SWITCH PRESSURE TRANSDUCER</b>		
<b>SILHOUETTE</b>			<b>Year Application Part No.</b>		
95	3.8L 6Cyl V (231)	MT0205	<b>BREEZE</b>		
<b>SWITCH PRESSURE</b>			00-97	2.0L 4Cyl L (122)	MT0614
<b>Year Application Part No.</b>				2.4L 4Cyl L (148)	MT0614
<b>AURORA</b>			96	2.0L 4Cyl L (122) Requires New Connector Change	MT0614
99-95	N/A	MT0799		2.4L 4Cyl L (148) Requires New Connector Change	MT0614
<b>SWITCH PRESSURE TRANSDUCER</b>			<b>GRAND VOYAGER</b>		
<b>Year Application Part No.</b>			00-97	3.0L 6Cyl V (181)	MT0614
<b>88</b>				3.3L 6Cyl V (201)	MT0614
99-96	3.8L 6Cyl V (231) 3 Terminals	MT1339	99-97	3.8L 6Cyl V (230)	MT0614
<b>ACHIEVA</b>			97	2.4L 4Cyl L (148)	MT0614
98-96	2.4L 4Cyl L (146) 3 Terminals	MT1339	96	2.4L 4Cyl L (148) Requires New Connector Change	MT0614
98-95	3.1L 6Cyl V (189) 3 Terminals	MT1339		3.0L 6Cyl V (181) Requires New Connector Change	MT0614
95	2.3L 4Cyl L (138) 3 Terminals	MT1339		3.3L 6Cyl V (201) Requires New Connector Change	MT0614
<b>ALERO</b>				3.8L 6Cyl V (230) Requires New Connector Change	MT0614
04-02	2.2L 4Cyl L (134) 3 Terminals	MT1247	<b>VOYAGER</b>		
	3.4L 6Cyl V (207) 3 Terminals	MT1247	00-97	2.4L 4Cyl L (148)	MT0614
(Cont'd)				3.0L 6Cyl V (181)	MT0614
			(Cont'd)		

Prices shown are meant to be a guide. All prices are subject to change without notice. Call for current price and availability.

PLYMOUTH (Con't)			PONTIAC (Con't)		
SWITCH PRESSURE TRANSDUCER (Cont'd)			EXPANSION VALVE ORIFICE TUBES (Cont'd)		
Year	Application	Part No.	Year	Application	Part No.
<b>VOYAGER (Cont'd)</b>			<b>TRANS SPORT</b>		
00-97	3.3L 6Cyl V (201)	MT0614	96	3.4L 6Cyl V (207) EVAPORATOR MOUNTING	MT0097-1
99-98	3.8L 6Cyl V (230)	MT0614	95	3.1L 6Cyl V (189) EVAPORATOR MOUNTING	MT0097-1
96	2.4L 4Cyl L (148) Requires New Connector Change	MT0614		3.8L 6Cyl V (231) EVAPORATOR MOUNTING	MT0097-1
	3.0L 6Cyl V (181) Requires New Connector Change	MT0614			
	3.3L 6Cyl V (201) Requires New Connector Change	MT0614			
<b>PONTIAC</b>			<b>EXPANSION VALVES</b>		
<b>ACCUMULATOR &amp; RECEIVER DRIERS</b>			<b>Year Application Part No.</b>		
<b>SUNRUNNER</b>			<b>G5</b>		
97-95	1.6L 4Cyl L (98)	37-13997	10	N/A OS	31-31098
<b>EVAPORATOR CORES</b>			09-07	2.2L 4Cyl L (134) OS	31-31098
<b>Year Application Part No.</b>			08-07	2.4L 4Cyl L (145) OS	31-31098
<b>VIBE</b>			<b>G6</b>		
10-09	1.8L 4Cyl L (1798)	27-33352	10	N/A OS	31-31098
	2.4L 4Cyl L (2362)	27-33352	09-06	2.4L 4Cyl L (145) OS	31-31098
<b>EXPANSION VALVE ORIFICE TUBES</b>			09-05	3.5L 6Cyl V (213) OS	31-31098
<b>Year Application Part No.</b>			09-07	3.6L 6Cyl V (217) OS	31-31098
<b>BONNEVILLE</b>			09-06	3.9L 6Cyl V (237) OS	31-31098
05-02	3.8L 6Cyl V (231) Brown	MT0099-1	<b>GRAND PRIX</b>		
05-04	4.6L 8Cyl V (281) Brown	MT0099-1	08-04	3.8L 6Cyl V (231) OS	31-31098
99-95	3.8L 6Cyl V (231) EVAPORATOR MOUNTING	MT0097-1	08-05	5.3L 8Cyl V (325) OS	31-31098
<b>FIREBIRD</b>			<b>PURSUIT</b>		
02-95	3.8L 6Cyl V (231) Black; Optional Auto Adj Orifice Tube 3411303	MT0098-1	06-05	2.2L 4Cyl L (134) OS	31-31098
	3.8L 6Cyl V (231) Variable Orifice Tube - Condenser Mounted - Improved A/C System Performance in Hot Climates and City Driving	MT0628	06	2.4L 4Cyl L (145) OS	31-31098
02-98	5.7L 8Cyl V (350) Black; Optional Auto Adj Orifice Tube 3411303	MT0098-1	<b>RELAY ENGINE COOLING FAN MOTOR</b>		
	5.7L 8Cyl V (350) Variable Orifice Tube - Condenser Mounted - Improved A/C System Performance in Hot Climates and City Driving	MT0628	<b>Year Application Part No.</b>		
95	3.4L 6Cyl V (207) Black	MT0098-1	09	1.8L 4Cyl L (1798) Located Power Distribution Center - Fan No. 2 - Mini 5 Pin	MT0225
<b>GRAND AM</b>			08-03	1.8L 4Cyl L (1794) Located Power Distribution Center - Fan No. 2 - Mini 5 Pin	MT0225
05-02	2.2L 4Cyl L (134) Brown	MT0099-1	06-03	1.8L 4Cyl L (1795) Located Power Distribution Center - Fan No. 2 - Mini 5 Pin	MT0225
	3.4L 6Cyl V (207) Brown	MT0099-1	<b>SENSOR REFRIGERANT TEMPERATURE</b>		
<b>GRAND PRIX</b>			<b>Year Application Part No.</b>		
03-99	3.1L 6Cyl V (189) Gray/ White	MT0924-1	<b>BONNEVILLE</b>		
01-95	3.1L 6Cyl V (189) EVAPORATOR MOUNTING	MT0097-1	05-04	3.8L 6Cyl V (231) 4.6L 8Cyl V (281)	MT1323 MT1323
01-97	3.8L 6Cyl V (231) Gray/ White	MT0924-1	<b>SWITCH CLUTCH CYCLE</b>		
96-95	3.4L 6Cyl V (207) EVAPORATOR MOUNTING	MT0097-1	<b>Year Application Part No.</b>		
<b>SUNFIRE</b>			<b>TRANS SPORT</b>		
05-95	2.2L 4Cyl L (134) Black; Optional Auto Adj Orifice Tube 3411303	MT0098-1	95	3.1L 6Cyl V (189) 3.8L 6Cyl V (231)	MT0205 MT0205
	2.2L 4Cyl L (134) Variable Orifice Tube - Condenser Mounted - Improved A/C System Performance in Hot Climates and City Driving	MT0628	<b>SWITCH PRESSURE TRANSDUCER</b>		
02-96	2.4L 4Cyl L (146) Black; Optional Auto Adj Orifice Tube 3411303	MT0098-1	<b>Year Application Part No.</b>		
	2.4L 4Cyl L (146) Variable Orifice Tube - Condenser Mounted - Improved A/C System Performance in Hot Climates and City Driving	MT0628	<b>AZTEK</b>		
95	2.3L 4Cyl L (138) Black; Optional Auto Adj Orifice Tube 3411303	MT0098-1	05-03	3.4L 6Cyl V (204) 3 Terminals	MT1247
	2.3L 4Cyl L (138) Variable Orifice Tube - Condenser Mounted - Improved A/C System Performance in Hot Climates and City Driving	MT0628	02-01	3.4L 6Cyl V (204) 3 Terminals	MT1247
				3.4L 6Cyl V (204) 3 Terminals	MT1339
				3.4L 6Cyl V (207) 3 Terminals	MT1339

Prices shown are meant to be a guide. All prices are subject to change without notice. Call for current price and availability.

PONTIAC (Con't)			PONTIAC (Con't)		
SWITCH PRESSURE TRANSDUCER (Cont'd)			SWITCH PRESSURE TRANSDUCER (Cont'd)		
Year	Application	Part No.	Year	Application	Part No.
<b>BONNEVILLE</b>			<b>GRAND PRIX (Cont'd)</b>		
05-03	3.8L 6Cyl V (231) 3 Terminals	MT1247	03	3.1L 6Cyl V (189) 3 Terminals	MT1247
05-04	4.6L 8Cyl V (281) 3 Terminals	MT1247	02-95	3.1L 6Cyl V (189) 3 Terminals	MT1339
02-96	3.8L 6Cyl V (231) 3 Terminals	MT1339	02-97	3.8L 6Cyl V (231) 3 Terminals	MT1339
<b>FIREBIRD</b>			98-97	3.1L 6Cyl V (191) 3 Terminals	MT1339
02-95	3.8L 6Cyl V (231) 3 Terminals	MT1339	96-95	3.4L 6Cyl V (207) 3 Terminals	MT1339
	5.7L 8Cyl V (350) 3 Terminals	MT1339	<b>GTO</b>		
95	3.4L 6Cyl V (207) 3 Terminals	MT1339	06-05	6.0L 8Cyl V (364) 3 Terminals	MT1339
<b>G3</b>			04	5.7L 8Cyl V (350) 3 Terminals	MT1339
10-07	1.6L 4Cyl L (98) 3 Terminals	MT1247	<b>MONTANA</b>		
<b>G3 WAVE</b>			09-06	3.9L 6Cyl V (237) 3 Terminals	MT1247
09	1.6L 4Cyl L (98) 3 Terminals	MT1247	06-05	3.5L 6Cyl V (213) 3 Terminals	MT1247
<b>G4</b>			05-03	3.4L 6Cyl V (207) 3 Terminals	MT1247
06-05	2.2L 4Cyl L (134) 3 Terminals	MT1247	02-99	3.4L 6Cyl V (207) 3 Terminals	MT1339
06	2.4L 4Cyl L (146) 3 Terminals	MT1247	<b>SOLSTICE</b>		
<b>G5</b>			09-07	2.0L 4Cyl L (122) 3 Terminals	MT1247
10-07	2.2L 4Cyl L (134) 3 Terminals	MT1247	09-06	2.4L 4Cyl L (145) 3 Terminals	MT1247
08-07	2.4L 4Cyl L (145) 3 Terminals	MT1247	07-06	2.4L 4Cyl L (146) 3 Terminals	MT1247
	2.4L 4Cyl L (146) 3 Terminals	MT1247	<b>SUNFIRE</b>		
<b>G6</b>			05-02	2.2L 4Cyl L (134) 3 Terminals	MT1247
10-06	2.4L 4Cyl L (145) 3 Terminals	MT1247	02-96	2.4L 4Cyl L (146) 3 Terminals	MT1339
10-05	3.5L 6Cyl V (213) 3 Terminals	MT1247	01-95	2.2L 4Cyl L (134) 3 Terminals	MT1339
09-07	3.6L 6Cyl V (217) 3 Terminals	MT1247	95	2.3L 4Cyl L (138) 3 Terminals	MT1339
09-06	3.9L 6Cyl V (237) 3 Terminals	MT1247	<b>TORRENT</b>		
06	3.5L 6Cyl V (214) 3 Terminals	MT1247	09-06	3.4L 6Cyl V (207) 3 Terminals	MT1339
05	3.5L 6Cyl V (211) 3 Terminals	MT1247	09-08	3.6L 6Cyl V (217) 3 Terminals	MT1339
<b>G8</b>			08-06	3.4L 6Cyl V (204) 3 Terminals	MT1339
09-08	3.6L 6Cyl V (217) 3 Terminals	MT1247	<b>TRANS SPORT</b>		
	6.0L 8Cyl V (364) 3 Terminals	MT1247	99-96	3.4L 6Cyl V (207) 3 Terminals	MT1339
09	6.2L 8Cyl V (376) 3 Terminals	MT1247	95	3.1L 6Cyl V (189) 3 Terminals	MT1339
<b>GRAND AM</b>				3.8L 6Cyl V (231) 3 Terminals	MT1339
05-02	2.2L 4Cyl L (134) 3 Terminals	MT1247	<b>VIBE</b>		
	3.4L 6Cyl V (207) 3 Terminals	MT1247	10-09	1.8L 4Cyl L (1798) 3 Terminals	MT1247
04-02	3.4L 6Cyl V (204) 3 Terminals	MT1247		2.4L 4Cyl L (2362) 3 Terminals	MT1247
01-96	2.4L 4Cyl L (146) 3 Terminals	MT1339	08-03	1.8L 4Cyl L (1794) 3 Terminals	MT1247
01-99	3.4L 6Cyl V (204) 3 Terminals	MT1339	06-03	1.8L 4Cyl L (1795) 3 Terminals	MT1247
	3.4L 6Cyl V (207) 3 Terminals	MT1339	<b>WAVE</b>		
98-95	3.1L 6Cyl V (189) 3 Terminals	MT1339	08-05	1.6L 4Cyl L (98) 3 Terminals	MT1247
95	2.3L 4Cyl L (138) 3 Terminals	MT1339	<b>WAVE5</b>		
<b>GRAND PRIX</b>			07-05	1.6L 4Cyl L (98) 3 Terminals	MT1247
08-03	3.8L 6Cyl V (231) 3 Terminals	MT1247			
08-05	5.3L 8Cyl V (325) 3 Terminals	MT1247			
(Cont'd)					

Prices shown are meant to be a guide. All prices are subject to change without notice. Call for current price and availability.

PORSCHE			RAM (Con't)		
ACCUMULATOR & RECEIVER DRIERS			EVAPORATOR CORES (Cont'd)		
Year	Application	Part No.	Year	Application	Part No.
<b>911</b>			<b>1500 (Cont'd)</b>		
13-12	3.4L 6Cyl H (210) 7 In Tall w/ Dowell Hole To Center	37-13997	11	5.7L 8Cyl V (345)	27-33768
	3.4L 6Cyl H (3436) 7 In Tall w/ Dowell Hole To Center	37-13997	<b>2500</b>		
	3.8L 6Cyl H (3800) 7 In Tall w/ Dowell Hole To Center	37-13997	11	5.7L 8Cyl V (345)	27-33768
12	3.6L 6Cyl H (3614) 7 In Tall w/ Dowell Hole To Center	37-13997		6.7L 6Cyl L (408)	27-33768
09-08	3.6L 6Cyl H (3596) New	37-13997	<b>3500</b>		
09	3.8L 6Cyl H (3800)	37-13997	11	5.7L 8Cyl V (345)	27-33768
08-05	3.8L 6Cyl H (3824)	37-13997		6.7L 6Cyl L (408)	27-33768
07-05	3.6L 6Cyl H (3596)	37-13997	<b>4500</b>		
07	3.6L 6Cyl H (3598)	37-13997	11	6.7L 6Cyl L (408)	27-33768
	3.6L 6Cyl H (3606)	37-13997	<b>5500</b>		
05	3.6L 6Cyl H (3606)	37-13997	11	6.7L 6Cyl L (408)	27-33768
<b>928</b>			<b>RAM PICKUP</b>		
95	5.4L 8Cyl V (5392) OE# 94457314301, From VIN P20000	37-13997	12-10	3.7L 6Cyl V (226)	27-33768
<b>BOXSTER</b>				4.7L 8Cyl V (287)	27-33768
13	2.7L 6Cyl H (165) 7 In Tall w/ Dowell Hole To Center	37-13997		5.7L 8Cyl V (345)	27-33768
13-12	3.4L 6Cyl H (210) 7 In Tall w/ Dowell Hole To Center	37-13997	11-10	6.7L 6Cyl L (409)	27-33768
	3.4L 6Cyl H (3436) 7 In Tall w/ Dowell Hole To Center	37-13997	<b>SWITCH PRESSURE TRANSDUCER</b>		
12	2.9L 6Cyl H (2893) 7 In Tall w/ Dowell Hole To Center	37-13997	<b>Year Application Part No.</b>		
07-05	2.7L 6Cyl H (2687)	37-13997	<b>1500</b>		
07	3.4L 6Cyl H (3387)	37-13997	11	3.7L 6Cyl V (226)	MT0614
06-05	3.2L 6Cyl H (3179)	37-13997		4.7L 8Cyl V (285)	MT0614
<b>CARRERA GT</b>				5.7L 8Cyl V (345)	MT0614
05-04	5.7L 10Cyl V (348)	37-13997		6.7L 6Cyl L (408)	MT0614
<b>CAYMAN</b>			<b>2500</b>		
07	2.7L 6Cyl H (2687)	37-13997	11	5.7L 8Cyl V (345)	MT0614
07-06	3.4L 6Cyl H (3387)	37-13997		6.7L 6Cyl L (408)	MT0614
<b>EVAPORATOR CORES</b>			<b>3500</b>		
Year	Application	Part No.	11	5.7L 8Cyl V (345)	MT0614
<b>911</b>				6.7L 6Cyl L (408)	MT0614
08-05	3.6L 6Cyl H (3596)	27-33245	<b>DAKOTA</b>		
08-07	3.6L 6Cyl H (3598)	27-33245	11-10	3.7L 6Cyl V (226)	MT0614
08-05	3.8L 6Cyl H (3824)	27-33245	11	4.7L 8Cyl V (285)	MT0614
05	3.6L 6Cyl H (3606)	27-33245	<b>RAM PICKUP</b>		
<b>BOXSTER</b>			11-10	3.7L 6Cyl V (226)	MT0614
08-05	2.7L 6Cyl H (2687)	27-33245		4.7L 8Cyl V (287)	MT0614
08-07	3.4L 6Cyl H (3387)	27-33245		5.7L 8Cyl V (345)	MT0614
06-05	3.2L 6Cyl H (3179)	27-33245		6.7L 6Cyl L (409)	MT0614
<b>CARRERA GT</b>			<b>SAAB</b>		
05	5.7L 10Cyl V (348)	27-33245	<b>ACCUMULATOR &amp; RECEIVER DRIERS</b>		
<b>CAYMAN</b>			<b>Year Application Part No.</b>		
08-07	2.7L 6Cyl H (2687) Front A/C	27-33245	<b>9-2X</b>		
08	3.4L 6Cyl H (3387) front A/C	27-33245	06-05	2.5L 4Cyl H (2458)	37-19802
07-06	3.4L 6Cyl H (3387) Front A/C	27-33245	05	2.0L 4Cyl H (1994)	37-19802
<b>RAM</b>			<b>EXPANSION VALVE ORIFICE TUBES</b>		
<b>ACCUMULATOR &amp; RECEIVER DRIERS</b>			<b>Year Application Part No.</b>		
Year	Application	Part No.	<b>9-7X</b>		
<b>DAKOTA</b>			08-05	4.2L 6Cyl L (256)	MT0097-1
10	3.7L 6Cyl V (226) 3" Diameter, 1/4 Male Sw Port; w/ Pop Off Valve	37-10872-AM	08-06	5.3L 8Cyl V (325)	MT0097-1
<b>EVAPORATOR CORES</b>			08	6.0L 8Cyl V (364)	MT0097-1
Year	Application	Part No.	05	5.3L 8Cyl V (323)	MT0097-1
<b>1500</b>			<b>EXPANSION VALVES</b>		
11	3.7L 6Cyl V (226)	27-33768	<b>Year Application Part No.</b>		
(Cont'd)	4.7L 8Cyl V (285)	27-33768	<b>9-5</b>		
			11	2.0L 4Cyl L (122) OS	31-30945
			11-10	2.8L 6Cyl V (170) OS	31-30945
			09-99	2.3L 4Cyl L (140) OS	31-30945
			03-99	3.0L 6Cyl V (181) OS	31-30945

Prices shown are meant to be a guide. All prices are subject to change without notice. Call for current price and availability.

SAAB (Con't)			SATURN (Con't)		
<b>SWITCH CLUTCH CYCLE</b>			<b>SWITCH PRESSURE TRANSDUCER (Cont'd)</b>		
Year	Application	Part No.	Year	Application	Part No.
<b>9-7X</b>			<b>VUE (Cont'd)</b>		
09-05	4.2L 6Cyl L (256)	MT0968	07-06	3.5L 6Cyl V (3471)	MT1339
09-06	5.3L 8Cyl V (325)	MT0968	05-04	3.5L 6Cyl V (3474)	MT1339
09-08	6.0L 8Cyl V (364)	MT0968	04	3.5L 6Cyl V (3475)	MT1339
05	5.3L 8Cyl V (323)	MT0968	03	3.0L 6Cyl V (181)	MT1339
<b>SWITCH PRESSURE TRANSDUCER</b>			<b>SCION</b>		
Year	Application	Part No.	<b>EVAPORATOR CORES</b>		
<b>9-3</b>			Year	Application	Part No.
11-99	2.0L 4Cyl L (1985)	MT1339	<b>TC</b>		
09-06	2.8L 6Cyl V (170)	MT1339	14-12	N/A	27-33352
08-01	2.0L 4Cyl L (122)	MT1339	11	2.5L 4Cyl L (152)	27-33352
02-99	2.3L 4Cyl L (140)	MT1339	10	2.4L 4Cyl L (2362)	27-33428
<b>9-3X</b>			09-05	2.4L 4Cyl L (2398)	27-33428
11-10	2.0L 4Cyl L (1985)	MT1339	<b>XB</b>		
<b>9-5</b>			14-13	N/A	27-33352
11	2.0L 4Cyl L (122)	MT1339	12-08	2.4L 4Cyl L (2362) Plate Fin	27-33352
11-10	2.8L 6Cyl V (170)	MT1339	<b>XD</b>		
09-99	2.3L 4Cyl L (140)	MT1339	14-08	1.8L 4Cyl L (1798)	27-50067
03-99	3.0L 6Cyl V (181)	MT1339	<b>SUBARU</b>		
<b>9-7X</b>			<b>ACCUMULATOR &amp; RECEIVER DRIERS</b>		
09-06	4.2L 6Cyl L (256)	MT1247	Year	Application	Part No.
	5.3L 8Cyl V (325)	MT1247	<b>IMPREZA</b>		
09-08	6.0L 8Cyl V (364)	MT1247	07-02	2.5L 4Cyl H (2458)	37-19802
05	4.2L 6Cyl L (256)	MT1339	05-02	2.0L 4Cyl H (1994)	37-19802
	5.3L 8Cyl V (323)	MT1339	<b>OUTBACK</b>		
<b>900</b>			05	2.5L 4Cyl H (2458)	37-19802
98-95	2.0L 4Cyl L (1985)	MT1339		3.0L 6Cyl H (3000)	37-19802
	2.3L 4Cyl L (140)	MT1339	<b>EVAPORATOR CORES</b>		
97-95	2.5L 6Cyl V (2498)	MT1339	Year	Application	Part No.
<b>SATURN</b>			<b>LEGACY</b>		
<b>EXPANSION VALVES</b>			09-05	2.5L 4Cyl H (2458)	27-33822
Year	Application	Part No.		2.5L 4Cyl H (2458), Front PLATE FIN	27-33822
<b>ASTRA</b>			09-08	3.0L 6Cyl H (3000)	27-33822
09-08	1.8L 4Cyl L (110) OS	31-31098		3.0L 6Cyl H (3000), Front PLATE FIN	27-33822
<b>AURA</b>			<b>OUTBACK</b>		
09-07	2.4L 4Cyl L (145) OS	31-31098	09-05	2.5L 4Cyl H (2458)	27-33822
	3.6L 6Cyl V (217) OS	31-31098		3.0L 6Cyl H (3000)	27-33822
08-07	3.5L 6Cyl V (213) OS	31-31098	<b>SUZUKI</b>		
<b>ION</b>			<b>ACCUMULATOR &amp; RECEIVER DRIERS</b>		
07-04	2.0L 4Cyl L (122) OS	31-31098	Year	Application	Part No.
<b>SWITCH PRESSURE TRANSDUCER</b>			<b>GRAND VITARA</b>		
Year	Application	Part No.	05-99	2.5L 6Cyl V (2500)	37-18038
<b>ASTRA</b>			01	2.7L 6Cyl V (2737)	37-18038
09-08	1.8L 4Cyl L (110)	MT1339	<b>SIDEKICK</b>		
<b>AURA</b>			98-95	1.6L 4Cyl L (97) 7 In Tall w/ Dowell Hole To Center; R-134A	37-13997
09-07	2.4L 4Cyl L (145)	MT1339	98-96	1.8L 4Cyl L (1840) R-134	37-13997
	3.6L 6Cyl V (217)	MT1339	<b>VITARA</b>		
08-07	3.5L 6Cyl V (213)	MT1339	04	2.5L 6Cyl V (2500)	37-18038
<b>ION</b>			03-99	2.0L 4Cyl L (2000)	37-18038
07-04	2.0L 4Cyl L (122)	MT1339	02-99	1.6L 4Cyl L (97)	37-18038
<b>SWITCH PRESSURE TRANSDUCER</b>			<b>X-90</b>		
Year	Application	Part No.	98	1.6L 4Cyl L (97) Oring Fittings	37-13997
<b>ASTRA</b>			97-96	1.6L 4Cyl L (97) 7 In Tall w/ Dowell Hole To Center	37-13997
09-08	1.8L 4Cyl L (110)	MT1339			
<b>AURA</b>					
09-07	2.4L 4Cyl L (145)	MT1339			
	3.6L 6Cyl V (217)	MT1339			
08-07	3.5L 6Cyl V (213)	MT1339			
<b>ION</b>					
07-04	2.0L 4Cyl L (122)	MT1339			
<b>OUTLOOK</b>					
10-07	3.6L 6Cyl V (217)	MT1339			
<b>SKY</b>					
10-07	2.0L 4Cyl L (122)	MT1339			
	2.4L 4Cyl L (145)	MT1339			
<b>VUE</b>					
10-07	2.4L 4Cyl L (145)	MT1339			
10-08	3.5L 6Cyl V (213)	MT1339			
	3.6L 6Cyl V (217)	MT1339			
07-03	2.2L 4Cyl L (134)	MT1339			
(Cont'd)					

Prices shown are meant to be a guide. All prices are subject to change without notice. Call for current price and availability.



SUZUKI (Con't)			TOYOTA (Con't)		
EXPANSION VALVES			ACCUMULATOR & RECEIVER DRIERS (Cont'd)		
Year	Application	Part No.	Year	Application	Part No.
<b>ESTEEM</b>			<b>SEQUOIA</b>		
02-99	1.8L 4Cyl L (1790) New; OS	31-30935-AM	07-01	4.7L 8Cyl V (285)	37-13997
01-95	1.6L 4Cyl L (97) New; OS	31-30935-AM	<b>SIENNA</b>		
			03-98	3.0L 6Cyl V (2995)	37-18035
<b>TOYOTA</b>			<b>SOLARA</b>		
<b>ACCUMULATOR &amp; RECEIVER DRIERS</b>					
Year	Application	Part No.	06	3.3L 6Cyl V (202) 7 In Tall w/ Dowell Hole To Center	37-13997
<b>4RUNNER</b>			03-02	2.4L 4Cyl L (2362) 7 In Tall w/ Dowell Hole To Center	37-13997
02-96	3.4L 6Cyl V (3378), 4WD	37-13997	03-99	3.0L 6Cyl V (2995) 7 In Tall w/ Dowell Hole To Center	37-13997
00-96	2.7L 4Cyl L (2694), 4WD	37-13997	01-99	2.2L 4Cyl L (2164) 7 In Tall w/ Dowell Hole To Center	37-13997
	2.7L 4Cyl L (2694), RWD 7 In Tall w/ Dowell Hole To Center	37-13997	<b>SUPRA</b>		
95	2.4L 4Cyl L (2366), 4WD	37-13997	98-95	3.0L 6Cyl L (2997) 7 In Tall w/ Dowell Hole To Center	37-13997
	2.4L 4Cyl L (2366), RWD 7 In Tall w/ Dowell Hole To Center	37-13997	<b>T100</b>		
	3.0L 6Cyl V (2959), 4WD	37-13997	98-95	2.7L 4Cyl L (2694) 7 In Tall w/ Dowell Hole To Center 3.4L 6Cyl V (3378)	37-13997 37-13997
<b>AVALON</b>			<b>TACOMA</b>		
99-95	3.0L 6Cyl V (2995) 7 In Tall w/ Dowell Hole To Center	37-13997	06-05	2.7L 4Cyl L (2694) 4.0L 6Cyl V (241)	37-13997 37-13997
<b>CAMRY</b>			04-95	2.4L 4Cyl L (2438) 7 In Tall w/ Dowell Hole To Center 2.7L 4Cyl L (2694) 7 In Tall w/ Dowell Hole To Center 3.4L 6Cyl V (3378)	37-13997 37-13997 37-13997 37-13997
01-98	2.2L 4Cyl L (2164) 7 1/2in In Tall w/ Dowell Hole To Outside 3.0L 6Cyl V (2995) 7 1/2in In Tall w/ Dowell Hole To Outside	37-13997 37-13997	<b>TERCEL</b>		
97-95	2.2L 4Cyl L (2164) 7 In Tall w/ Dowell Hole To Center 3.0L 6Cyl V (2995) 7 In Tall w/ Dowell Hole To Center	37-13997 37-13997	99-95	1.5L 4Cyl L (1497) 7 In Tall w/ Dowell Hole To Center	37-13997
<b>CELICA</b>			<b>TUNDRA</b>		
99-95	2.2L 4Cyl L (2164) 7 1/2in In Tall w/ Dowell Hole To Outside	37-13997	06-05	4.0L 6Cyl V (241) 7 In Tall w/ Dowell Hole To Center	37-13997
97-95	1.8L 4Cyl L (1762) 7 1/2in In Tall w/ Dowell Hole To Outside	37-13997	06	4.7L 8Cyl V (285) 7 In Tall w/ Dowell Hole To Center	37-13997
<b>COROLLA</b>			04-00	3.4L 6Cyl V (3378) 7 In Tall w/ Dowell Hole To Center 4.7L 8Cyl V (285) 7 In Tall w/ Dowell Hole To Center	37-13997 37-13997
02	1.8L 4Cyl L (1794) 7 1/2in In Tall w/ Dowell Hole To Outside	37-13997	<b>YARIS</b>		
01-00	1.8L 4Cyl L (1794) New	37-13997	06	1.5L 4Cyl L (1497) 7 In Tall w/ Dowell Hole To Center	37-13997
99	1.8L 4Cyl L (1794)	37-13997	<b>AUTOMOTIVE KITS</b>		
98	1.8L 4Cyl L (1794) 7 1/2in In Tall w/ Dowell Hole To Outside	37-13997	<b>Year Application Part No.</b>		
97-95	1.6L 4Cyl L (1587) 7 1/2in In Tall w/ Dowell Hole To Outside 1.8L 4Cyl L (1762) 7 1/2in In Tall w/ Dowell Hole To Outside	37-13997 37-13997	<b>AVALON</b>		
<b>LAND CRUISER</b>			04-00	3.0L 6Cyl V (2995) NEW; O	96-25667
97-96	4.5L 6Cyl L (4477) New	37-13997	<b>CAMRY</b>		
95	4.5L 6Cyl L (4477)	37-13997	06-05	3.0L 6Cyl V (2995) NEW; O	96-25544
<b>MR2</b>			04-02	3.0L 6Cyl V (2995) NEW; O	96-25667
95	2.0L 4Cyl L (122) 7 In Tall w/ Dowell Hole To Center 2.2L 4Cyl L (2164) 7 In Tall w/ Dowell Hole To Center	37-13997 37-13997	04	3.3L 6Cyl V (3300) NEW; O	96-25222
<b>PASEO</b>			<b>CELICA</b>		
99	1.5L 4Cyl L (1497)	37-13997	99-95	2.2L 4Cyl L (2164) NEW; O	96-25729
98-95	1.5L 4Cyl L (1497) 7 In Tall w/ Dowell Hole To Center	37-13997	<b>HIGHLANDER</b>		
<b>PICKUP</b>			05	3.3L 6Cyl V (202) NEW; O	96-25544
95	2.4L 4Cyl L (2366) From 1/95 to 1/94: 7 In Tall w/ Dowell Hole To Center	37-13997	04	3.3L 6Cyl V (3300) NEW; O	96-25544
<b>PREVIA</b>			03-01	3.0L 6Cyl V (2995) NEW; O	96-25544
97-95	2.4L 4Cyl L (2438) 7 In Tall w/ Dowell Hole To Center 2.4L 4Cyl L (2438) Pad	37-13997 37-18035	<b>SOLARA</b>		
<b>RAV4</b>			08-05	3.3L 6Cyl V (202) NEW; O	96-25544
00-98	GAS, 2.0L 4Cyl L (122)	37-13997	04	3.3L 6Cyl V (3300) NEW; O	96-25667
97-96	2.0L 4Cyl L (122) 7 In Tall w/ Dowell Hole To Center	37-13997	(Cont'd)		

Prices shown are meant to be a guide. All prices are subject to change without notice. Call for current price and availability.

**TOYOTA (Con't)**

**TOYOTA (Con't)**

**AUTOMOTIVE KITS (Cont'd)**

**Year Application Part No.**

**SOLARA (Cont'd)**

01-00 2.2L 4Cyl L (2164)  
NEW: O ..... 96-25729

**EVAPORATOR CORES**

**Year Application Part No.**

**4RUNNER**

09-03 4.0L 6Cyl V (241)  
Parallel Flow ..... 27-50066  
4.7L 8Cyl V (285)  
Parallel Flow ..... 27-50066

**AVALON**

14-13 2.5L 4Cyl L (152) ..... 27-50065  
14-05 3.5L 6Cyl V (3456) ..... 27-50065

**CAMRY**

14-10 2.5L 4Cyl L (152) ..... 27-50065  
14-12 3.5L 6Cyl V (211) ..... 27-50065  
11-07 2.4L 4Cyl L (2362) ..... 27-50065  
3.5L 6Cyl V (3456) ..... 27-50065  
10 2.4L 4Cyl L (2362)  
PLATE FIN ..... 27-50065  
2.5L 4Cyl L (152)  
PLATE FIN ..... 27-50065  
2.5L 4Cyl L (153) ..... 27-50065  
3.5L 6Cyl V (3456)  
PLATE FIN ..... 27-50065  
07 2.4L 4Cyl L (144) ..... 27-50065

**COROLLA**

14-12 N/A ..... 27-33352  
11-09 1.8L 4Cyl L (1798)  
Plate Fin ..... 27-33352  
10 1.8L 4Cyl L (109)  
Plate Fin ..... 27-33352  
1.8L 4Cyl L (110)  
Plate Fin ..... 27-33352  
2.4L 4Cyl L (146)  
Plate Fin ..... 27-33352  
10-09 2.4L 4Cyl L (2362)  
Plate Fin ..... 27-33352  
09 1.8L 4Cyl L (1794)  
Plate Fin ..... 27-33352  
08-05 CE, 1.8L 4Cyl L (1794), Front  
8D0260805M /FROM VIN V006772; PLATE/FIN ..... 27-33428  
LE, 1.8L 4Cyl L (1794), Front  
8D0260805M /FROM VIN V006772; PLATE/FIN ..... 27-33428  
N/A ..... 27-33428  
S, 1.8L 4Cyl L (1794), Front  
8D0260805M /FROM VIN V006772; PLATE/FIN ..... 27-33428  
08 Sport, 1.8L 4Cyl L (1794), Front  
8D0260805M /FROM VIN V006772; PLATE/FIN ..... 27-33428  
06-05 XRS, 1.8L 4Cyl L (1795), Front  
8D0260805M /FROM VIN V006772; PLATE/FIN ..... 27-33428

**FJ CRUISER**

08-07 4.0L 6Cyl V (241) ..... 27-50066

**HIGHLANDER**

13-09 2.7L 4Cyl L (163) ..... 27-50065  
13 3.5L 6Cyl V (211) ..... 27-50065  
3.5L 6Cyl V (214) ..... 27-50065  
13-08 3.5L 6Cyl V (3456) ..... 27-50065  
11-10 3.5L 6Cyl V (214) ..... 27-50065  
10-08 3.3L 6Cyl V (202) ..... 27-50065

**MATRIX**

14-12 N/A ..... 27-33352  
11-09 1.8L 4Cyl L (1798)  
Plate Fin ..... 27-33352  
10 1.8L 4Cyl L (110)  
Plate Fin ..... 27-33352  
2.4L 4Cyl L (144)  
Plate Fin ..... 27-33352  
10-09 2.4L 4Cyl L (2362)  
Plate Fin ..... 27-33352  
08-05 1.8L 4Cyl L (1794) ..... 27-33428  
06-05 1.8L 4Cyl L (1795) ..... 27-33428

**EVAPORATOR CORES (Cont'd)**

**Year Application Part No.**

**PRIUS**

09-04 1.5L 4Cyl L (1497), Front  
PLATE/FIN ..... 27-33428  
N/A ..... 27-33428

**RAV4**

14-12 N/A ..... 27-33352  
11-09 2.5L 4Cyl L (152)  
Plate Fin ..... 27-33352  
10 2.5L 4Cyl L (153)  
Plate Fin ..... 27-33352  
3.5L 6Cyl V (214)  
Plate Fin ..... 27-33352  
10-06 3.5L 6Cyl V (3456)  
Plate Fin ..... 27-33352  
08-06 2.4L 4Cyl L (2362)  
Plate Fin ..... 27-33352

**SIENNA**

14-11 3.5L 6Cyl V (211) ..... 27-50065  
13-11 2.7L 4Cyl L (163) ..... 27-50065  
13 3.5L 6Cyl V (3456) ..... 27-50065  
11 3.5L 6Cyl V (3456) ..... 27-50065

**TACOMA**

04-02 2.4L 4Cyl L (2438) ..... 27-33227  
2.7L 4Cyl L (2694) ..... 27-33227  
3.4L 6Cyl V (3378) ..... 27-33227  
01-96 2.4L 4Cyl L (2438)  
Plate Fin ..... 27-33227  
2.7L 4Cyl L (2694)  
Plate Fin ..... 27-33227  
3.4L 6Cyl V (3378)  
Plate Fin ..... 27-33227

**VENZA**

14-09 2.7L 4Cyl L (163) ..... 27-50065  
3.5L 6Cyl V (3456) ..... 27-50065

**YARIS**

14-13 1.5L 4Cyl L (91) ..... 27-50067  
14-06 1.5L 4Cyl L (1497) ..... 27-50067

**EXPANSION VALVES**

**Year Application Part No.**

**4RUNNER**

02-96 3.4L 6Cyl V (3378)  
New: OS ..... 31-30935-AM  
00-96 2.7L 4Cyl L (2694)  
New: OS ..... 31-30935-AM  
95 2.4L 4Cyl L (2366)  
New: OS ..... 31-30935-AM  
3.0L 6Cyl V (2959)  
New: OS ..... 31-30935-AM

**AVALON**

99-95 3.0L 6Cyl V (2995)  
New: OS ..... 31-30935-AM

**CAMRY**

01-95 2.2L 4Cyl L (2164)  
New: OS ..... 31-30935-AM  
3.0L 6Cyl V (2995)  
New: OS ..... 31-30935-AM

**CELICA**

99-95 2.2L 4Cyl L (2164)  
New: OS ..... 31-30935-AM  
97-95 1.8L 4Cyl L (1762)  
New: OS ..... 31-30935-AM

**COROLLA**

02-98 1.8L 4Cyl L (1794)  
New: OS ..... 31-30935-AM  
97-95 1.6L 4Cyl L (1587)  
New: OS ..... 31-30935-AM  
1.8L 4Cyl L (1762)  
New: OS ..... 31-30935-AM

**LAND CRUISER**

97-95 4.5L 6Cyl L (4477)  
New: OS ..... 31-30935-AM

Prices shown are meant to be a guide. All prices are subject to change without notice. Call for current price and availability.

TOYOTA (Con't)			TOYOTA (Con't)		
EXPANSION VALVES (Cont'd)			RELAY ENGINE COOLING FAN MOTOR (Cont'd)		
Year	Application	Part No.	Year	Application	Part No.
<b>MR2</b>			<b>COROLLA (Cont'd)</b>		
95	2.0L 4Cyl L (122) New: OS	31-30935-AM	06-05	1.8L 4Cyl L (1795) No.2 Position	MT0225
	2.2L 4Cyl L (2164) New: OS	31-30935-AM	<b>ECHO</b>		
<b>PASEO</b>			05-00	1.5L 4Cyl L (1497) No.2 Position	MT0225
99-95	1.5L 4Cyl L (1497) New: OS	31-30935-AM	<b>MATRIX</b>		
<b>PICKUP</b>			06-03	1.8L 4Cyl L (1794) No.2 Position	MT0225
95	3.0L 6Cyl V (2959) New: OS	31-30935-AM		1.8L 4Cyl L (1795) No.2 Position	MT0225
<b>PREVIA</b>			<b>MR2 SPYDER</b>		
97-95	2.4L 4Cyl L (2438) Pad Fittings: OS	31-30935-AM	05-00	1.8L 4Cyl L (1794) No.2 Position	MT0225
<b>RAV4</b>			<b>RAV4</b>		
00-96	2.0L 4Cyl L (122) New: OS	31-30935-AM	06-04	2.4L 4Cyl L (2362) No.2 Position	MT0225
98	-L -Cyl - (-) New: OS	31-30935-AM	06	3.5L 6Cyl V (3456) No.2 Position	MT0225
<b>SOLARA</b>			03-01	2.0L 4Cyl L (122) No.2 Position	MT0225
02	2.4L 4Cyl L (2362) New: OS	31-30935-AM	00-96	2.0L 4Cyl L (122) No.3 Position	MT0225
02-99	3.0L 6Cyl V (2995) New: OS	31-30935-AM	<b>SIENNA</b>		
01-99	2.2L 4Cyl L (2164) New: OS	31-30935-AM	03	3.0L 6Cyl V (183) No.3 Position	MT0225
<b>SUPRA</b>			03-98	3.0L 6Cyl V (2995) No.3 Position	MT0225
98-95	3.0L 6Cyl L (2997) New: OS	31-30935-AM	<b>SOLARA</b>		
<b>TACOMA</b>			06-02	2.4L 4Cyl L (2362) No.2 Position	MT0225
04-95	2.4L 4Cyl L (2438) New: OS	31-30935-AM	06-05	3.3L 6Cyl V (202) No.2 Position	MT0225
	2.7L 4Cyl L (2694) New: OS	31-30935-AM	04	3.3L 6Cyl V (3300) No.2 Position	MT0225
	3.4L 6Cyl V (3378) New: OS	31-30935-AM	03-99	3.0L 6Cyl V (2995) No.2 Position	MT0225
<b>TERCEL</b>			01-99	2.2L 4Cyl L (2164) No.2 Position	MT0225
99-95	1.5L 4Cyl L (1497) New: OS	31-30935-AM	<b>VOLKSWAGEN</b>		
<b>TUNDRA</b>			<b>ACCUMULATOR &amp; RECEIVER DRIERS</b>		
02-00	3.4L 6Cyl V (3378) New: OS	31-30935-AM	<b>BEETLE</b>		
02	4.7L 8Cyl V (285), Standard Cab Pickup New: OS	31-30935-AM	10-07	2.5L 5Cyl L (151) Pad Mount Top And Bottom	37-13615
01-00	4.7L 8Cyl V (285) New: OS	31-30935-AM	06	1.9L 4Cyl L (116) Pad Mount Top And Bottom	37-13615
<b>RELAY ENGINE COOLING FAN MOTOR</b>			05-99	1.8L 4Cyl L (1781) Pad Mount Top And Bottom	37-13615
Year	Application	Part No.	Year	Application	Part No.
<b>AVALON</b>			05-98	1.9L 4Cyl L (116) 2.0L 4Cyl L (121) Pad Mount Top And Bottom	37-13615
04-00	3.0L 6Cyl V (2995) No.2 Position	MT0225	<b>GOLF</b>		
<b>CAMRY</b>			10	2.0L 4Cyl L (120) New	37-13615
03-02	2.4L 4Cyl L (144) No.2 Position	MT0225		2.5L 5Cyl L (151) New	37-13615
	2.4L 4Cyl L (2362) No.2 Position	MT0225	06-00	1.8L 4Cyl L (1781) Pad Mount Top And Bottom	37-13615
	3.0L 6Cyl V (2995) No.2 Position	MT0225	06-99	1.9L 4Cyl L (116) Pad Mount Top And Bottom	37-13615
01-95	2.2L 4Cyl L (2164) 3.0L 6Cyl V (2995)	MT0225		2.0L 4Cyl L (121) Pad Mount Top And Bottom	37-13615
<b>CELICA</b>			05-99	2.8L 6Cyl V (2792) Pad Mount Top And Bottom	37-13615
05-00	1.8L 4Cyl L (1794) No.2 Position	MT0225	04	3.2L 6Cyl V (3189) Pad Mount Top And Bottom	37-13615
	1.8L 4Cyl L (1795) No.2 Position	MT0225	<b>JETTA</b>		
99-98	2.2L 4Cyl L (2164) No.2 Position	MT0225	05-00	1.8L 4Cyl L (1781) Pad Mount Top And Bottom	37-13615
<b>COROLLA</b>			05-99	1.9L 4Cyl L (116) Pad Mount Top And Bottom	37-13615
06-98	1.8L 4Cyl L (1794) No.2 Position	MT0225	(Cont'd)		
(Cont'd)			(Cont'd)		

Prices shown are meant to be a guide. All prices are subject to change without notice. Call for current price and availability.

VOLKSWAGEN (Con't)			VOLKSWAGEN (Con't)		
ACCUMULATOR & RECEIVER DRIERS (Cont'd)			COMPRESSORS (Cont'd)		
Year	Application	Part No.	Year	Application	Part No.
<b>JETTA (Cont'd)</b>			<b>JETTA</b>		
05-99	2.0L 4Cyl L (121) Pad Mount Top And Bottom	37-13615	14-12	2.5L 5Cyl L (151)	20-08688-AM
05	2.5L 5Cyl L (151) Pad Mount Top And Bottom	37-13615	11-05	2.5L 5Cyl L (151) PXE16; 5 + PV5; New; Dir Drive	20-08688-AM
04-99	2.8L 6Cyl V (2792) Pad Mount Top And Bottom	37-13615	10	2.0L 4Cyl L (120) PXE16; PV6; OEM; Dir Drive	20-08675
<b>AUTOMOTIVE KITS</b>			09	2.0L 4Cyl L (121) PXE16; PV6; OEM; Dir Drive	20-08675
<b>Year Application Part No.</b>			09	2.0L 4Cyl L (120) OEM	20-08675
<b>BEETLE</b>			08	2.0L 4Cyl L (121) PXE16; 5 + PV5; New; Dir Drive	20-08688-AM
05-99	1.8L 4Cyl L (1781) NEW; O	96-24731	08	2.0L 4Cyl L (121) PXE16; 5 + PV5; New; Dir Drive	20-08688-AM
05-98	1.9L 4Cyl L (116) NEW; O	96-24731	07-06	2.0L 4Cyl L (121) PXE16; PV6; OEM; Dir Drive	20-08675
	2.0L 4Cyl L (121) NEW; O	96-24731	06	1.9L 4Cyl L (116) PXE16; PV6; OEM; Dir Drive	20-08675
<b>GOLF</b>			05	1.9L 4Cyl L (116) OEM	20-08675
05-00	1.8L 4Cyl L (1781) NEW; O	96-24731	<b>PASSAT</b>		
	1.9L 4Cyl L (116) NEW; O	96-24731	10-06	3.6L 6Cyl V (219) PXE16; PV6; OEM; Dir Drive	20-08675
	2.0L 4Cyl L (121) NEW; O	96-24731	<b>PASSAT CC</b>		
03	2.8L 6Cyl V (2792) NEW; O	96-24731	10-09	3.6L 6Cyl V (219) PXE16; PV6; OEM; Dir Drive	20-08675
<b>JETTA</b>			<b>R32</b>		
05-02	1.8L 4Cyl L (1781) NEW; O	96-24731	08	3.2L 6Cyl V (195) PXE16; PV6; OEM; Dir Drive	20-08675
	1.9L 4Cyl L (116) NEW; O	96-24731	<b>RABBIT</b>		
04-00	2.0L 4Cyl L (121) NEW; O	96-24731	09-06	2.5L 5Cyl L (151) PXE16; 5 + PV5; New; Dir Drive	20-08688-AM
04	2.8L 6Cyl V (2792) NEW; O	96-24731	<b>EVAPORATOR CORES</b>		
<b>COMPRESSORS</b>			<b>Year Application Part No.</b>		
<b>BEETLE</b>			<b>BEETLE</b>		
10-06	2.5L 5Cyl L (151) PXE16; 5 + PV5; New; Dir Drive	20-08688-AM	10-06	2.5L 5Cyl L (151)	27-33245
06	1.9L 4Cyl L (116) PXE16; 5 + PV5; New; Dir Drive	20-08688-AM	06-98	1.9L 4Cyl L (116)	27-33245
<b>CC</b>			05-99	1.8L 4Cyl L (1781)	27-33245
12	3.6L 6Cyl V (219) OEM	20-08675	05-98	2.0L 4Cyl L (121)	27-33245
11-09	3.6L 6Cyl V (219) PXE16; PV6; OEM; Dir Drive	20-08675	<b>GOLF</b>		
<b>EOS</b>			05-00	1.8L 4Cyl L (1781)	27-33245
08	2.0L 4Cyl L (121) PXE16; PV6; OEM; Dir Drive	20-08675		1.9L 4Cyl L (116)	27-33245
	3.2L 6Cyl V (195) PXE16; PV6; OEM; Dir Drive	20-08675		2.0L 4Cyl L (121)	27-33245
<b>GOLF</b>				2.8L 6Cyl V (2792)	27-33245
12	2.5L 5Cyl L (151) New	20-08688-AM	04	3.2L 6Cyl V (3189)	27-33245
11-10	2.5L 5Cyl L (151) PXE16; 5 + PV5; New; Dir Drive	20-08688-AM	99	1.9L 4Cyl L (116) Plate Fin	27-33245
05-02	1.8L 4Cyl L (1781) PXE16; 5 + PV5; New; Dir Drive	20-08688-AM		2.0L 4Cyl L (121) Plate Fin	27-33245
	1.9L 4Cyl L (116) PXE16; 5 + PV5; New; Dir Drive	20-08688-AM		2.8L 6Cyl V (2792) Plate Fin	27-33245
04	3.2L 6Cyl V (3189) PXE16; 5 + PV5; New; Dir Drive	20-08688-AM	<b>JETTA</b>		
<b>GOLF SPORTWAGEN</b>			05-00	1.8L 4Cyl L (1781)	27-33245
10	2.5L 5Cyl L (151) PXE16; 5 + PV5; New; Dir Drive	20-08688-AM		1.9L 4Cyl L (116)	27-33245
<b>GTI</b>				2.0L 4Cyl L (121)	27-33245
15-10	2.0L 4Cyl L (121)	20-08688-AM	05	2.5L 5Cyl L (151)	27-33245
09-07	2.0L 4Cyl L (121), Turbocharged(Eng Asp) PXE16; PV6; OEM; Dir Drive	20-08675	04-00	2.8L 6Cyl V (2792)	27-33245
06	2.0L 4Cyl L (121) PXE16; PV6; OEM; Dir Drive	20-08675	99	1.9L 4Cyl L (116) Plate Fin	27-33245
				2.0L 4Cyl L (121) Plate Fin	27-33245
				2.8L 6Cyl V (2792) Plate Fin	27-33245
			<b>ROUTAN</b>		
			12-11	3.6L 6Cyl V (220), Front Front A/C	27-33495
				3.6L 6Cyl V (220), Rear Rear A/C	27-33496
			12-10	Front Front A/C	27-33495
			(Cont'd)		

Prices shown are meant to be a guide. All prices are subject to change without notice. Call for current price and availability.

## VOLKSWAGEN (Con't)

## VOLKSWAGEN (Con't)

## EVAPORATOR CORES (Cont'd)

Year	Application	Part No.
<b>ROUTAN (Cont'd)</b>		
10	3.8L 6Cyl V (231), Front Front A/C .....	27-33495
	3.8L 6Cyl V (231), Rear Rear A/C .....	27-33496
	4.0L 6Cyl V (241), Front Front A/C .....	27-33495
	4.0L 6Cyl V (241), Rear Rear A/C .....	27-33496
09	3.8L 6Cyl V (231), Front 4.0L 6Cyl V (241), Front Rear .....	27-33495 27-33495 27-33496

## EXPANSION VALVE ORIFICE TUBES

Year	Application	Part No.
<b>PASSAT</b>		
05-98	1.8L 4Cyl L (1781) Brown .....	MT0099-1
05-04	2.0L 4Cyl L (120) Brown .....	MT0099-1
05-98	2.8L 6Cyl V (2771) Brown .....	MT0099-1
04-02	4.0L 8Cyl W (244) Brown .....	MT0099-1

## PHAETON

06-04	4.2L 8Cyl V (4172) Brown .....	MT0099-1
06	6.0L 12Cyl W (366) Brown .....	MT0099-1
05	6.0L 12Cyl W (5998) Brown .....	MT0099-1
04	6.0L 12Cyl W (6000) Brown .....	MT0099-1

## EXPANSION VALVES

Year	Application	Part No.
<b>BEETLE</b>		
14-12	N/A O .....	31-31145
10-06	2.5L 5Cyl L (151) OS .....	31-30945
09-98	2.0L 4Cyl L (121) OS .....	31-30945
06-98	1.9L 4Cyl L (116) OS .....	31-30945
05-99	1.8L 4Cyl L (1781) OS .....	31-30945
<b>CABRIO</b>		
02-95	2.0L 4Cyl L (121) OS .....	31-30945
<b>CC</b>		
14-09	2.0L 4Cyl L (121) O .....	31-31145
	3.6L 6Cyl V (219) O .....	31-31145
<b>CORRADO</b>		
95	2.8L 6Cyl V (2792) OS .....	31-30945
<b>EOS</b>		
14-07	2.0L 4Cyl L (121) O .....	31-31145
08-07	3.2L 6Cyl V (195) O .....	31-31145
<b>GOLF</b>		
14-10	N/A O .....	31-31145
07	N/A O .....	31-31145
06-00	1.8L 4Cyl L (1781) GEN 4; OS .....	31-30945
06	1.8L 4Cyl L (1781) GEN 5; O .....	31-31145
06-95	1.9L 4Cyl L (116) GEN 4; OS .....	31-30945
(Cont'd)		

## EXPANSION VALVES (Cont'd)

Year	Application	Part No.
<b>GOLF (Cont'd)</b>		
06-95	2.0L 4Cyl L (121) GEN 4; OS .....	31-30945
05-95	2.8L 6Cyl V (2792) GEN 4; OS .....	31-30945
04	3.2L 6Cyl V (3189) GEN 4; OS .....	31-30945
98-95	1.8L 4Cyl L (109) GEN 4; OS .....	31-30945
<b>GOLF CITY</b>		
10-07	2.0L 4Cyl L (121) O .....	31-31145
<b>GOLF SPORTWAGEN</b>		
12-10	2.5L 5Cyl L (151) O .....	31-31145
<b>GTI</b>		
14	N/A O .....	31-31145
13-06	2.0L 4Cyl L (121) O .....	31-31145
<b>JETTA</b>		
14-06	N/A O .....	31-31145
05-00	1.8L 4Cyl L (1781) GEN 4; OS .....	31-30945
05	1.8L 4Cyl L (1781) GEN 5; O .....	31-31145
05-96	1.9L 4Cyl L (116) GEN 4; OS .....	31-30945
05-95	2.0L 4Cyl L (121) GEN 4; OS .....	31-30945
05	2.5L 5Cyl L (151) GEN 4; OS .....	31-30945
04-95	2.8L 6Cyl V (2792) GEN 4; OS .....	31-30945
96	2.0L 4Cyl L (1984) GEN 4; OS .....	31-30945
95	1.8L 4Cyl L (109) OS .....	31-30945
	1.9L 4Cyl L (116) OS .....	31-30945
<b>JETTA CITY</b>		
09-07	2.0L 4Cyl L (121) O .....	31-31145
<b>PASSAT</b>		
13-12	2.0L 4Cyl L (120) O .....	31-31145
	2.5L 5Cyl L (151) O .....	31-31145
	3.6L 6Cyl V (219) O .....	31-31145
	3.6L 6Cyl V (220) O .....	31-31145
10-06	2.0L 4Cyl L (121) O .....	31-31145
	3.6L 6Cyl V (219) O .....	31-31145
98	1.8L 4Cyl L (1781) OS .....	31-30945
	2.8L 6Cyl V (2771) OS .....	31-30945
97-95	1.9L 4Cyl L (116) OS .....	31-30945
	2.8L 6Cyl V (2792) OS .....	31-30945
96-95	2.0L 4Cyl L (121) OS .....	31-30945
<b>PASSAT CC</b>		
12	2.0L 4Cyl L (121) O .....	31-31145
	3.6L 6Cyl V (220) O .....	31-31145
10-09	2.0L 4Cyl L (121) O .....	31-31145
	3.6L 6Cyl V (219) O .....	31-31145
(Cont'd)		

Prices shown are meant to be a guide. All prices are subject to change without notice. Call for current price and availability.

**VOLKSWAGEN (Con't)**

**EXPANSION VALVES (Cont'd)**

Year	Application	Part No.
<b>PASSAT CC (Cont'd)</b>		
10	3.6L 6Cyl V (220) O.....	31-31145
<b>R32</b>		
08	3.2L 6Cyl V (195) O.....	31-31145
<b>RABBIT</b>		
09-06	2.5L 5Cyl L (151) O.....	31-31145
<b>TIGUAN</b>		
14-09	2.0L 4Cyl L (121) O.....	31-31145

**VOLVO**

**EXPANSION VALVE ORIFICE TUBES**

Year	Application	Part No.
<b>850</b>		
97-95	2.3L 5Cyl L (2319) Brown.....	MT0099-1
	2.4L 5Cyl L (2435) Brown.....	MT0099-1
<b>940</b>		
95	2.3L 4Cyl L (2316) Brown.....	MT0099-1
<b>960</b>		
97-95	2.9L 6Cyl L (2922) Brown.....	MT0099-1
<b>C70</b>		
13-07	N/A.....	MT0099-1
06	2.5L 5Cyl L (2521) Brown.....	MT0099-1
04	2.3L 5Cyl L (2319) .....	MT0097-1
	2.4L 5Cyl L (2435) .....	MT0097-1
03	2.3L 5Cyl L (2319) Brown.....	MT0099-1
	2.4L 5Cyl L (2435) Brown.....	MT0099-1
02	2.3L 5Cyl L (2319) .....	MT0097-1
	2.4L 5Cyl L (2435) .....	MT0097-1
01	2.3L 5Cyl L (2319) .....	MT0099-1
	2.4L 5Cyl L (2435) .....	MT0099-1
00-98	2.3L 5Cyl L (2319) Brown.....	MT0099-1
	2.4L 5Cyl L (2435) Brown.....	MT0099-1
<b>S40</b>		
09-07	2.4L 5Cyl L (2435) .....	MT0099-1
	2.5L 5Cyl L (2521) .....	MT0099-1
06-05	2.4L 5Cyl L (2435) Brown.....	MT0099-1
	2.5L 5Cyl L (2521) Brown.....	MT0099-1
<b>S90</b>		
98-97	2.9L 6Cyl L (2917) BROWN.....	MT0099-1
<b>V50</b>		
06-05	2.4L 5Cyl L (2435) Brown.....	MT0099-1
	2.5L 5Cyl L (2521) Brown.....	MT0099-1
<b>V70</b>		
98	2.3L 5Cyl L (2319) Brown.....	MT0099-1
	2.4L 5Cyl L (2435) Brown.....	MT0099-1
<b>V90</b>		
98	2.9L 6Cyl L (2917) Brown.....	MT0099-1
97	2.9L 6Cyl L (2917) BROWN.....	MT0099-1

Prices shown are meant to be a guide. All prices are subject to change without notice. Call for current price and availability.

Ford 98-08  
Mazda 98-07  
Mercury 98-01



**96-20600**

Cadillac 02-06  
Chevrolet 01-06  
GMC 99-06



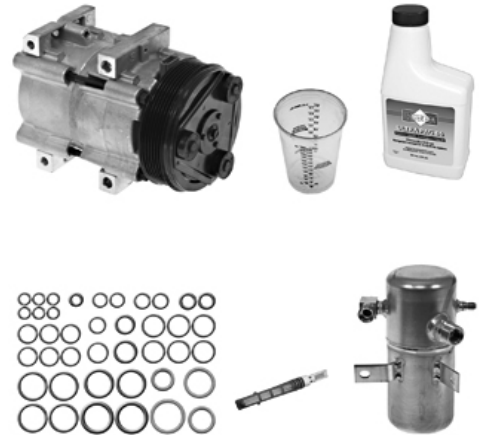
**96-23923**

Chevrolet 98-03  
GMC 98-03  
Isuzu 98-00



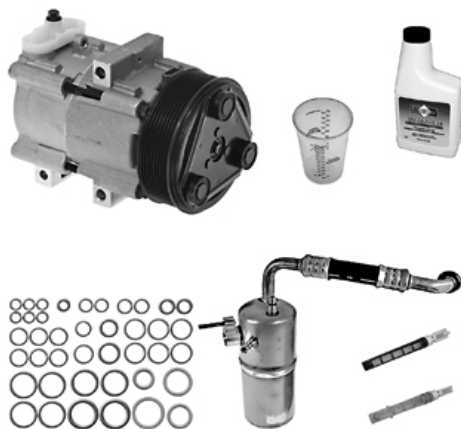
**96-24062**

Ford 94-97



**96-24224**

Ford 97-01



**96-24287**

Ford 02-05  
Mercury 02-05



**96-24327**

Prices shown are meant to be a guide. All prices are subject to change without notice. Call for current price and availability.

# 82 AUTOMOTIVE A/C KITS

BMW 00-06



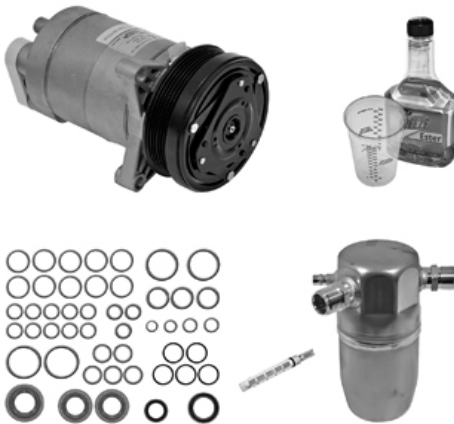
**96-24534**

Audi 04-06  
Volkswagen 98-05



**96-24731**

Cadillac 96-01



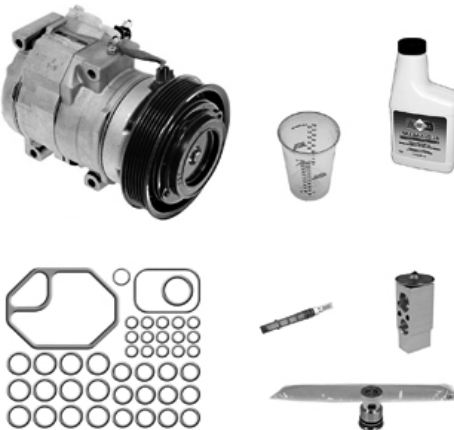
**96-24993**

Ford 96-04



**96-25124**

Lexus 99-01  
Toyota 04



**96-25222**

Chrysler 01-05  
Dodge 01-05



**96-25274**

Prices shown are meant to be a guide. All prices are subject to change without notice. Call for current price and availability.



Buick 02-05  
Chevrolet 01-05



**96-25303**

Chevrolet 07  
Chevrolet 09



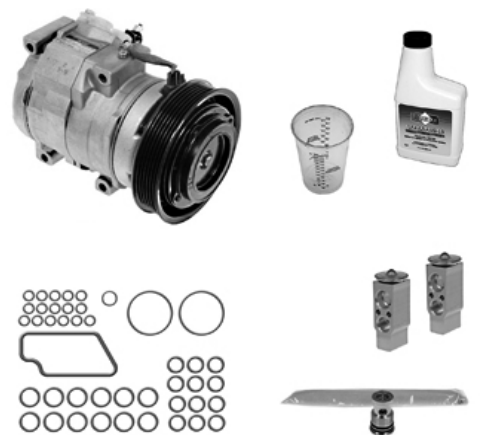
**96-25382**

Chevrolet 07  
GMC 00-07



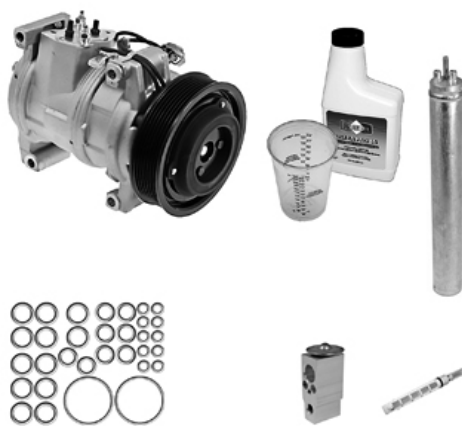
**96-25383**

Lexus 05-06  
Toyota 01-08



**96-25544**

Honda 05-07



**96-25559**

Honda 03-05



**96-25560**

Prices shown are meant to be a guide. All prices are subject to change without notice. Call for current price and availability.

# 84 AUTOMOTIVE A/C KITS

Chevrolet 02-06



96-25593

Lexus 02-04  
Toyota 00-04



96-25667

Acura 99-02



96-25700

Honda 97-01



96-25723

Honda 01



96-25724

Toyota 94-01



96-25729

Prices shown are meant to be a guide. All prices are subject to change without notice. Call for current price and availability.


Chevrolet 99  
GMC 99



**96-26099**

Prices shown are meant to be a guide. All prices are subject to change without notice. Call for current price and availability.

Model: TRSE07  
 OEM: 38800-RNA  
 A010-M2  
 Volts: 12  
 Gr: 7  
 Dia: 106mm  
 Coil: 3  
 Mount: DIRECT  
 Ftg: PAD



Honda 06-11

**20-04918-AM**


Model: TRSE090A  
 OEM: 38800-RZY-  
 A010-M2  
 Volts: 12  
 Gr: 7  
 Dia: 106mm  
 GL: 56mm  
 Coil: 12  
 Mount: DIRECT  
 Ftg: PAD



Acura 07-12  
 Honda 07-11

**20-04920-AM**

Model: PXE16  
 Aftmkt: 8675 / 8676 /  
 7571  
 Volts: 12  
 Gr: 6  
 Dia: 110mm  
 GL: 50mm  
 Mount: DIRECT  
 Ftg: PAD  
 Cyl Head EPA



Audi 06-07  
 Volkswagen 05-12

**20-08675**

Model: PXE16  
 OEM: 1K0820859G  
 Aftmkt: 8688 / 8689 /  
 4574 / 4568 /  
 4572  
 Volts: 12  
 Gr: 5+5  
 Dia: 111mm/127mm  
 Coil: 12  
 Mount: DIRECT  
 Ftg: PAD



Volkswagen 02-15

**20-08688-AM**

Model: FS10  
 OEM: F8FH-19D629-  
 BBA  
 Volts: 12  
 Gr: 6  
 Dia: 130mm  
 Coil: 12  
 Mount: DIRECT  
 Ftg: PAD



Ford 90-04  
 Lincoln 93-94  
 Mercury 93-95

**20-10583-AM**

Model: HT6  
 OEM: 1136521  
 Aftmkt: 15-20145  
 Volts: 12  
 Gr: 4  
 Dia: 110mm  
 Coil: 11  
 Mount: METRIC  
 Ftg: PAD



Chevrolet 96-05  
 GMC 96-05  
 Hummer 02-04  
 Isuzu 98-00  
 Oldsmobile 98-01

**20-10694-AM**

Model: FS10  
 Aftmkt: 010007  
 Volts: 12  
 Gr: 6  
 Dia: 115mm  
 Coil: 12  
 Mount: DIRECT  
 Ftg: PAD



Ford 93-06  
 Lincoln 93-02  
 Lincoln 06  
 Mercury 93-02

**20-10790-AM**


Model: FS10  
 OEM: F8FH-19D629-  
 RA  
 Aftmkt: 010015  
 Volts: 12  
 Gr: 6  
 Dia: 127mm  
 Coil: 12  
 Mount: DIRECT  
 Ftg: PAD



Ford 95-07  
 Mazda 01-06  
 Mercury 95-02  
 Mercury 05-07

**20-10795-AM**


Model: FS10  
 OEM: F8FH-19D629-  
 LA  
 Aftmkt: 010022  
 Volts: 12  
 Gr: 8  
 Dia: 130mm  
 Coil: 12  
 Mount: DIRECT  
 Ftg: PAD



Ford 97-10

**20-10918-AM**

Model: FS10  
 OEM: F8FH-19D629-  
 GA  
 Aftmkt: 010010  
 Volts: 12  
 Gr: 6  
 Dia: 127mm  
 Coil: 3  
 Mount: DIRECT  
 Ftg: PAD



Ford 90-11  
 Mazda 91-08  
 Mercury 92-94

**20-10991-AM**


Model: SCROLL  
 OEM: YR8H19D629-  
 AA  
 Aftmkt: YC-2478  
 Volts: 12  
 Gr: 6  
 Dia: 97mm  
 Coil: 3  
 Mount: DIRECT  
 Ftg: PAD



Jaguar 00-08  
 Lincoln 00-05

**20-11005-AM**

Model: FS10  
 Aftmkt: 010310  
 Volts: 12  
 Gr: 6  
 Dia: 117mm  
 Coil: 3  
 Mount: DIRECT  
 Ftg: PAD



Ford 01-07  
 Mercury 01-05

**20-11035-AM**

Prices shown are meant to be a guide. All prices are subject to change without notice. Call for current price and availability.



Model: FS20  
 OEM: 9L14-19D629-AA  
 Volts: 12  
 Gr: 6  
 Dia: 115mm  
 Coil: 3  
 Mount: DIRECT  
 Ftg: PAD

Ford 06-14  
 Lincoln 06  
 Lincoln 10-11

**20-11041-AM**



Model: HS110R  
 OEM: 38870 PNB 006  
 Gr: 7  
 Dia: 100mm  
 GL: 56mm  
 Coil: 11  
 Ftg: PAD

Honda 02-06

**20-11242-AM**



Model: 10S20C  
 OEM: 38810-RGL-A01  
 Aftmkt: 447220-4902  
 Volts: 12  
 Gr: 6  
 Dia: 135mm  
 GL: 74mm  
 Coil: 12  
 Mount: DIRECT  
 Ftg: PAD

Acura 03-06  
 Honda 05-07

**20-11310-AM**



Model: 10S17C  
 Volts: 12  
 Gr: 6  
 Dia: 135mm  
 GL: 74mm  
 Coil: 12  
 Mount: DIRECT  
 Ftg: PAD

Acura 03-08  
 Honda 03-08

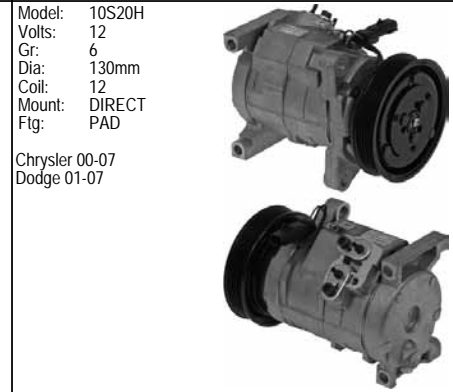
**20-11320-AM**



Model: SCROLL  
 OEM: 1L2Z-19703-AA,  
 1L2Z-19703-DA  
 Aftmkt: YCC-151  
 Volts: 12  
 Gr: 6  
 Dia: 109mm  
 Coil: 12  
 Mount: DIRECT  
 Ftg: PAD

Ford 01-06  
 Lincoln 03-05  
 Mercury 03-05

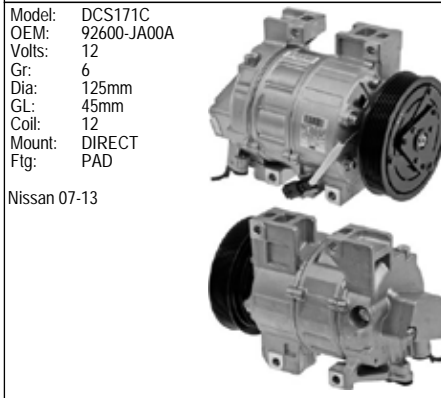
**20-11516-AM**



Model: 10S20H  
 Volts: 12  
 Gr: 6  
 Dia: 130mm  
 Coil: 12  
 Mount: DIRECT  
 Ftg: PAD

Chrysler 00-07  
 Dodge 01-07

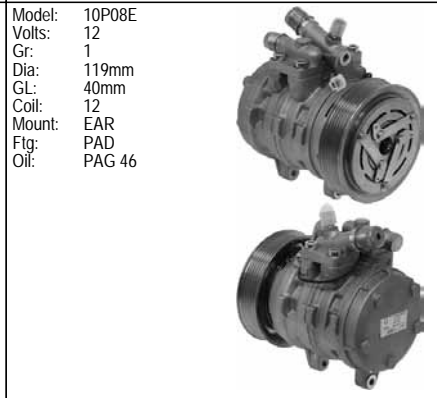
**20-11524-AM**



Model: DCS171C  
 OEM: 92600-JA00A  
 Volts: 12  
 Gr: 6  
 Dia: 125mm  
 GL: 45mm  
 Coil: 12  
 Mount: DIRECT  
 Ftg: PAD

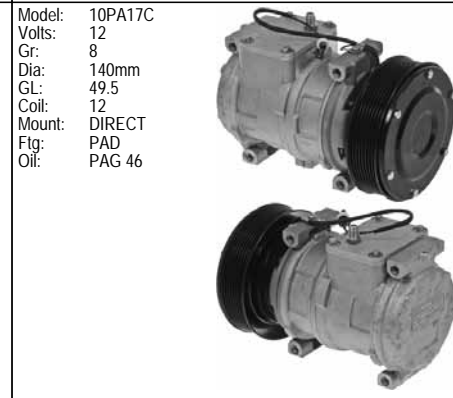
Nissan 07-13

**20-11570**



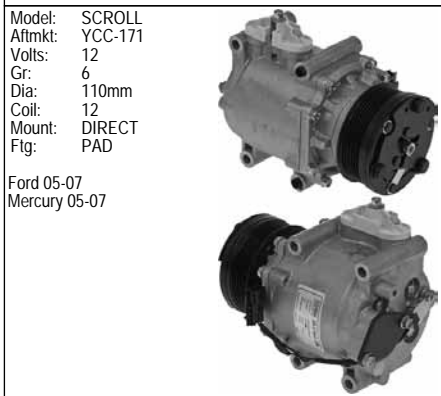
Model: 10P08E  
 Volts: 12  
 Gr: 1  
 Dia: 119mm  
 GL: 40mm  
 Coil: 12  
 Mount: EAR  
 Ftg: PAD  
 Oil: PAG 46

**20-21649-AM**



Model: 10PA17C  
 Volts: 12  
 Gr: 8  
 Dia: 140mm  
 GL: 49.5  
 Coil: 12  
 Mount: DIRECT  
 Ftg: PAD  
 Oil: PAG 46

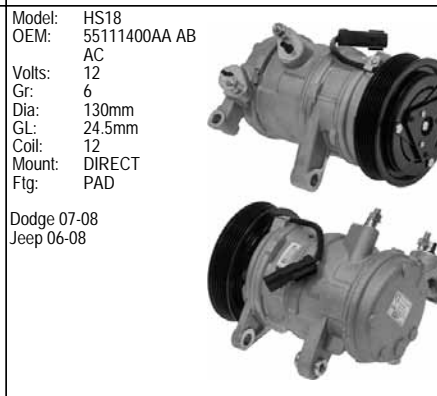
**20-21715-AM**



Model: SCROLL  
 Aftmkt: YCC-171  
 Volts: 12  
 Gr: 6  
 Dia: 110mm  
 Coil: 12  
 Mount: DIRECT  
 Ftg: PAD

Ford 05-07  
 Mercury 05-07

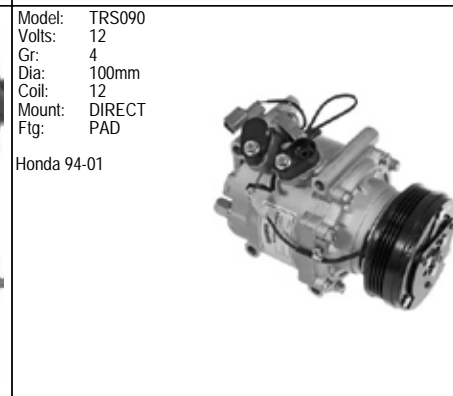
**20-21943-AM**



Model: HS18  
 OEM: 55111400AA AB  
 AC  
 Volts: 12  
 Gr: 6  
 Dia: 130mm  
 GL: 24.5mm  
 Coil: 12  
 Mount: DIRECT  
 Ftg: PAD

Dodge 07-08  
 Jeep 06-08

**20-22036-AM**



Model: TRS090  
 Volts: 12  
 Gr: 4  
 Dia: 100mm  
 Coil: 12  
 Mount: DIRECT  
 Ftg: PAD

Honda 94-01

**20-90003**

Prices shown are meant to be a guide. All prices are subject to change without notice. Call for current price and availability.

# 88 EVAPORATORS

Type: PLATE FIN  
 Height: 240mm  
 Width: 290mm  
 Depth: 73mm  
 OEM: 52464036

Cadillac 99-00  
 Chevrolet 94-00  
 GMC 94-00



**27-30444**

Type: PLATE FIN  
 OEM: 15-6337

Chevrolet 78-82



**27-30480**

Type: PLATE FIN  
 Height: 270mm  
 Width: 283mm  
 Depth: 73mm  
 OEM: 52476510/8901827  
 0

Chevrolet 99-02  
 GMC 99-02



**27-30498**

Type: PLATE FIN  
 Height: 275mm  
 Width: 225mm  
 Depth: 38mm



**27-30529**

Type: PLATE FIN  
 Height: 205mm  
 Width: 267mm  
 Depth: 92mm  
 OEM: F7UZ 19860 AA

Ford 97-12



**27-33161**

Type: PLATE FIN  
 Height: 199mm  
 Width: 267mm  
 Depth: 92mm  
 OEM: 4C4H 19860 AA  
 Aftmkt: YK-160



**27-33163**

Type: PLATE FIN  
 Height: 205mm  
 Width: 267mm  
 Depth: 92mm  
 OEM: F81H 19860 AB

Ford 99-07



**27-33177**

Type: PLATE FIN  
 Height: 237mm  
 Width: 240mm  
 Depth: 90mm

Dodge 95-02  
 Jeep 96-98



**27-33205**

Type: PLATE FIN  
 Height: 257mm  
 Width: 215mm  
 Depth: 90mm

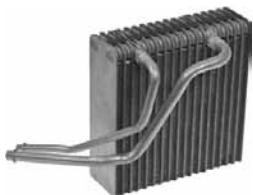
Toyota 96-04



**27-33227**

Type: PLATE FIN  
 Height: 213mm  
 Width: 225mm  
 Depth: 73mm

Audi 00-06  
 Porsche 05-08  
 Volkswagen 98-10



**27-33245**

Type: PLATE FIN  
 Height: 229mm  
 Width: 346mm  
 Depth: 92mm

Chrysler 01-08  
 Dodge 01-07



**27-33282**

Type: PLATE FIN  
 Height: 235mm  
 Width: 285mm  
 Depth: 40mm

Pontiac 09-10  
 Scion 08-14  
 Toyota 06-14



**27-33352**

Prices shown are meant to be a guide. All prices are subject to change without notice. Call for current price and availability.

Type: PLATE FIN  
Height: 238mm  
Width: 225mm  
Depth: 73mm

Dodge 02-06



27-33387

Type: PLATE FIN  
Height: 255mm  
Width: 38mm  
Depth: 255mm

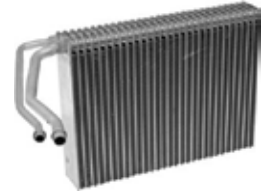
Scion 05-10  
Toyota 04-09



27-33428

Type: PLATE FIN  
Height: 315mm  
Width: 245mm  
Depth: 60mm

Jeep 05-10



27-33429

Type: PLATE FIN  
Height: 245mm  
Width: 265mm  
Depth: 38mm

Acura 06-08  
Honda 06-11



27-33451

Type: PLATE FIN  
Height: 290mm  
Width: 255mm  
Depth: 40mm

Chrysler 07-14  
Dodge 07-14  
Jeep 07-09



27-33463

Type: PLATE FIN  
Height: 143mm  
Width: 235mm  
Depth: 65mm

Chrysler 08-11  
Dodge 08-11  
Volkswagen 09-12



27-33496

Type: PLATE FIN  
Height: 239mm  
Width: 225mm  
Depth: 48mm

Dodge 07-10  
Jeep 08-11



27-33497

Type: PLATE FIN  
Height: 250mm  
Width: 225mm  
Depth: 48mm

Dodge 07-09



27-33761

Type: PLATE FIN  
Height: 260mm  
Width: 225mm  
Depth: 50mm

Dodge 09-10  
Ram 10-12



27-33768

Type: PLATE FIN  
Height: 258mm  
Width: 283mm  
Depth: 73mm  
OEM: 89018296

Cadillac 02-14  
Chevrolet 03-14  
GMC 03-14  
Hummer 08-09



27-33819

Type: PLATE FIN  
Height: 288mm  
Width: 38mm  
Depth: 255mm

Lexus 03-09  
Toyota 03-09



27-50066

Type: PLATE FIN  
Height: 210mm  
Width: 38mm  
Depth: 275mm

Scion 08-14  
Toyota 06-14



27-50067

Prices shown are meant to be a guide. All prices are subject to change without notice. Call for current price and availability.

# 90 EVAPORATORS

Type: PLATE FIN  
Height: 225mm  
Width: 38mm  
Depth: 207mm

Nissan 07-11



**27-50068**

Prices shown are meant to be a guide. All prices are subject to change without notice. Call for current price and availability.



Fig: O-RING  
 Liq In: 3/8in  
 Liq Out: 3/4in  
 Suc In: 3/4in  
 Suc Out: 3/4in  
 SH: 8  
 Tons: 1.5

Geo 94-97  
 Hyundai 97-98  
 Lexus 93-01  
 Mazda 95  
 Mitsubishi 94-00  
 Nissan 97-98  
 Suzuki 95-02  
 Toyota 91-04



**31-30935-AM**

Fig: O-RING  
 Liq In: 3/8in  
 Liq Out: 1/2in  
 Suc In: 5/8in  
 Suc Out: 3/4in  
 SH: 5  
 Tons: 1.5

Audi 00-07  
 Saab 99-11  
 Volkswagen 92-10



**31-30945**

Fig: O-RING  
 Liq In: 3/8in  
 Liq Out: 5/8in  
 Suc In: 3/4in  
 Suc Out: 3/4in  
 SH: -1.5  
 Tons: 1.5

Acura 01-05  
 Honda 98-99  
 Honda 01-11



**31-31022**

Liq In: 1/2in  
 Liq Out: 1/2in  
 Suc In: 5/8in  
 Suc Out: 3/4in  
 SH: -1  
 Tons: 1

Buick 05-09  
 Cadillac 09-10  
 Cadillac 12-13  
 Chevrolet 04-13  
 GMC 07-13  
 Pontiac 04-10  
 Saturn 04-09



**31-31098**

Fig: CAPTURED O-RING  
 Liq In: 1/2in  
 Liq Out: 1/2in  
 Suc In: 5/8in  
 Suc Out: 3/4in  
 SH: 2  
 Tons: 1

Audi 00-14  
 Volkswagen 05-14



**31-31145**

Prices shown are meant to be a guide. All prices are subject to change without notice. Call for current price and availability.

## 92 EXPANSION VALVES - RIGHT ANGLE

Fig: O-RING  
Inlet: 16mm  
Outlet: 22mm  
SH: 8  
Tons: 1.5  
Rfgmt: R134a  
C-Type: BULB  
C-Lng: 16in  
Eq Lng: 12in

Acura 90-97  
Acura 03  
Honda 93-04



**31-12112**

Prices shown are meant to be a guide. All prices are subject to change without notice. Call for current price and availability.

Type: ORIFICE TUBE  
 Color: PURPLE  
 Dia: 0.062in  
 Aftmkt: 38641

Dodge 94-08



**MT0091-1**

Type: ORIFICE TUBE  
 Color: BLUE  
 Dia: 0.067in  
 OEM: XC4H-19860AA  
 Aftmkt: YG-345

Ford 78-10  
 Jeep 97-99  
 Lincoln 82-90  
 Lincoln 08  
 Mazda 93-97  
 Mazda 01-10  
 Mercury 81-90  
 Mercury 94-02  
 Mercury 06-10  
 Nissan 93-02



**MT0092-1**

Type: ORIFICE TUBE  
 Color: RED  
 Dia: 0.062in  
 Aftmkt: YG-346

Ford 93-10  
 Lincoln 98-02  
 Lincoln 06-08  
 Mazda 94  
 Mazda 98-10  
 Mercury 97-10



**MT0093-1**

Type: ORIFICE TUBE  
 Color: ORANGE  
 Dia: 0.057in  
 Aftmkt: YG-298

Audi 04-10  
 Dodge 00-04  
 Ford 88-11  
 Hyundai 89-98  
 Jaguar 02-08  
 Jeep 02-07  
 Lincoln 91-11  
 Mazda 01-06  
 Mercury 87-11  
 Mitsubishi 90-94  
 Nissan 93-02



**MT0094-1**

Type: ORIFICE TUBE  
 Color: WHITE  
 Dia: 0.072in  
 Aftmkt: 15-5151

Buick 93-99  
 Buick 04-07  
 Cadillac 93-05  
 Chevrolet 93-10  
 GMC 93-10  
 Isuzu 96-00  
 Oldsmobile 93-04  
 Pontiac 93-01  
 Saab 05-08  
 Volvo 02  
 Volvo 04



**MT0097-1**

Type: ORIFICE TUBE  
 Color: BLACK & WHITE  
 Dia: 0.072in  
 Aftmkt: 15-5378

Buick 86-87  
 Buick 89-91  
 Buick 94-05  
 Cadillac 89  
 Cadillac 91-96  
 Cadillac 02-06  
 Chevrolet 88-07  
 GMC 90-09  
 Hummer 03-08  
 Oldsmobile 89-91  
 Pontiac 88-05



**MT0098-1**

Type: ORIFICE TUBE  
 Color: YELLOW  
 Dia: 0.062in  
 Aftmkt: 15-5653

Audi 93-08  
 Buick 00-05  
 Chevrolet 97-05  
 Oldsmobile 97-04  
 Pontiac 02-05  
 Volkswagen 98-06  
 Volvo 93-01  
 Volvo 03  
 Volvo 05-13



**MT0099-1**

Type: VOV  
 Color: BLACK & RED  
 Aftmkt: 38903

Buick 89-91  
 Buick 94-96  
 Cadillac 94-96  
 Cadillac 99-00  
 Cadillac 02-05  
 Chevrolet 88-06  
 GMC 90-06  
 Jeep 93-01  
 Oldsmobile 89-91  
 Pontiac 87-05



**MT0628**

Type: ORIFICE TUBE  
 Color: GREY & WHITE  
 Dia: 0.062in  
 Aftmkt: 15-31053

Buick 97-05  
 Chevrolet 00-03  
 Oldsmobile 99-02  
 Pontiac 97-03



**MT0924-1**

Prices shown are meant to be a guide. All prices are subject to change without notice. Call for current price and availability.

# 94 HOSE ASSEMBLY - DISCHARGE

Nissan 04-08



**34-63779**

Honda 02-06



**34-63876**

Nissan 02-06



**34-63935**

Jeep 02-06



**34-63968**

Ford 06-11  
Lincoln 06-11  
Mercury 06-11



**34-64261**

Prices shown are meant to be a guide. All prices are subject to change without notice. Call for current price and availability.

Jeep 06-07



**34-63635**

Ford 99-01



**34-63751**

Ford 00-07  
Mercury 00-05



**34-63756**

Dodge 02-09



**34-63870**

Jeep 02-05



**34-63967**

Dodge 94-02



**34-64245**

Chrysler 03-10



**34-64253**

Prices shown are meant to be a guide. All prices are subject to change without notice. Call for current price and availability.

# 96 HOSE ASSEMBLY - MANIFOLD

Chevrolet 96-00  
GMC 96-00



**34-63394**

Ford 97-01



**34-63453**

Ford 98-02  
Lincoln 98-02



**34-63758**

Ford 98-03



**34-63769**

Ford 99-03



**34-63770**

Ford 00-03



**34-63917**

Ford 03-07



**34-64255**

Ford 03-05  
Lincoln 03-05  
Mercury 03-05



**34-64260**

Prices shown are meant to be a guide. All prices are subject to change without notice. Call for current price and availability.

Nissan 02-06



**34-63777**

Prices shown are meant to be a guide. All prices are subject to change without notice. Call for current price and availability.

# 98 ACCUMULATORS

Dia: 3.50in  
Length: 9.50in  
Ftg In: PAD  
Ftg Out: 5/8 FO

Ford 99-07



**37-23233-AM**

Dia: 3.50in  
Length: 9.00in  
Ftg In: 27mm MO  
Ftg Out: 27mm FO  
OEM: 2724924

Cadillac 99-00  
Chevrolet 96-00  
GMC 96-00



**37-23391**

Dia: 3.50in  
Length: 8.00in  
Ftg In: PAD  
Ftg Out: PAD  
OEM: 2724986

Cadillac 02-06  
Chevrolet 99-08  
GMC 99-08  
Hummer 02  
Hummer 04-09



**37-23502**

Dia: 3.50in  
Length: 9.00in  
Ftg In: 1-1/16 FO  
Ftg Out: 1-1/16 FO  
OEM: 176-3900  
Aftmkt: 33221



**37-23505**

Dia: 3.50in  
Length: 8.50in  
Ftg In: PAD  
Ftg Out: PAD

Chrysler 02  
Dodge 02  
Jeep 99-07



**37-23527**

Dia: 3.50in  
Length: 9.00in  
Ftg In: PAD  
Ftg Out: PAD  
OEM: 89018424

Cadillac 02-06  
Chevrolet 00  
Chevrolet 02-04  
Chevrolet 08  
GMC 01-08



**37-23531**

Dia: 3.50in  
Length: 8.00in  
Ftg In: PAD  
Ftg Out: PAD  
OEM: 18-04171



**37-23539-AM**

Dia: 3.50in  
Length: 7.50in  
Ftg In: 5/8 MSL  
Ftg Out: 5/8 MSL

Dodge 02  
Dodge 05-09



**37-23557**

Prices shown are meant to be a guide. All prices are subject to change without notice. Call for current price and availability.



Ford 05  
Mercury 05



**34-63345**

Ford 96-01  
Mercury 96-01



**34-63596**

Dia: 3.50in  
Length: 9.00in  
Ftg In: PAD  
Ftg Out: 5/8 MSL  
OEM: 7C3Z19C836D

Ford 08-10



**34-63642**

Dia: 3.50in  
Length: 9.00in  
Ftg In: PAD  
Ftg Out: 5/8 MSL  
OEM: 7C3Z 19C836E

Ford 08-10



**34-63643**

Dia: 3.50in  
Length: 8.50in  
Ftg In: 5/8 MSL  
Ftg Out: BLOCK  
OEM: XL3Z-19C836-BA

Ford 97-04  
Lincoln 98-02



**37-23334**

Prices shown are meant to be a guide. All prices are subject to change without notice. Call for current price and availability.

# 100 RECEIVER DRIERS

Fig In: 1/2 MF  
Fig Out: 1/2 MF  
Descnt: 30.00ci



**37-10866**

Dia: 2.50in  
Length: 8.25in  
Fig In: 1/2 MO  
Fig Out: 1/2 MO  
SG: SIDE  
Descnt: 2.20ci  
OEM: WSG-164MIO



**37-10871**

Dia: 3.00in  
Length: 10.00in  
Fig In: 3/8 FO  
Fig Out: 3/8 MO  
SG: TOP  
PR: TOP  
Descnt: 12.00ci  
OEM: K251-571  
Aftmkt: 33478



**37-13539-AM**

Dia: 2.35in  
Length: 5.00in  
Fig In: PAD  
Fig Out: PAD

Infiniti 97-03  
Nissan 98-02  
Volkswagen 92



**37-13570**

Dia: 3.00in  
Length: 10.00in  
Fig In: 3/8 MO  
Fig Out: 3/8 FO  
SG: TOP  
SV: TOP  
MI: TOP  
OEM: APBN83-319614  
Aftmkt: 33479



**37-13576-AM**

Dia: 2.35in  
Length: 6.25in  
Fig In: PAD  
Fig Out: PAD

Audi 00-06  
Volkswagen 98-10



**37-13615**

Dia: 1.35in  
Length: 10.00in  
Fig In: PAD  
Fig Out: PAD

Acura 06-12  
Honda 03-13



**37-13677**

Dia: 3.00in  
Length: 10.00in  
Fig In: 1 1/16 FO  
Fig Out: 3/8 FO  
SG: TOP  
SV: TOP  
MI: TOP  
PR: TOP  
Descnt: 10.00ci  
OEM: 1693117-C1

Dodge 86-90  
Eagle 89-90  
Plymouth 86-87  
Plymouth 90



**37-13954-AM**

Dia: 3.00in  
Length: 10.00in  
Fig In: PAD  
Fig Out: PAD  
SV: 2 SIDE M10  
MI: 2 SIDE M10  
OEM: ANP N83 319744



**37-13991-AM**

Dia: 3.00in  
Length: 11.00in  
Fig In: PAD  
Fig Out: PAD  
OEM: F376000C



**37-13995-AM**

Dia: 2.35in  
Length: 7.50in  
Fig In: PAD  
Fig Out: PAD  
Descnt: 2.50ci  
OEM: 80351-SP0-013

Acura 93-04  
Chevrolet 98-01  
Chrysler 95-99  
Dodge 92-06  
Dodge 08  
Eagle 95-98  
Geo 94-97  
Honda 98  
Isuzu 96-99  
Land Rover 95-02  
Lexus 93-01  
Mazda 94-98  
Mitsubishi 94-00  
Pontiac 95-97  
Porsche 93-95  
Porsche 04-09



**37-13997**

Dia: 2.35in  
Length: 10.00in  
Fig In: PAD  
Fig Out: PAD  
OEM: 88T0070-79270

Toyota 93-03



**37-18035**

Prices shown are meant to be a guide. All prices are subject to change without notice. Call for current price and availability.

Dia: 2.35in  
 Length: 6.50in  
 Ftg In: PAD  
 Ftg Out: PAD

Acura 97-06  
 Honda 96-05  
 Honda 09  
 Suzuki 99-05



**37-18038**

Dia: 4.00in  
 Length: 11.75in  
 Ftg In: PAD  
 Ftg Out: PAD  
 OEM: 3542577C2



**37-19797**

Dia: 1.50in  
 Length: 9.00in  
 Ftg In: PAD  
 Ftg Out: PAD

Acura 04-08  
 Honda 03-07  
 Infiniti 02-12  
 Mazda 06-09  
 Mazda 11-13  
 Nissan 00-12  
 Saab 05-06  
 Subaru 02-07



**37-19802**

Prices shown are meant to be a guide. All prices are subject to change without notice. Call for current price and availability.

# 102 RELAYS

Dia: 12  
Ftg In: 5  
Lexus 99-00



**MT0225**

Dia: 12  
Length: 40/30  
BMW 68-76  
BMW 78-84  
Jeep 93



**MT0532**

Prices shown are meant to be a guide. All prices are subject to change without notice. Call for current price and availability.

Cadillac 94-05  
Chevrolet 11-12  
Oldsmobile 95-99  
Oldsmobile 01-03  
Pontiac 04-05



**MT1323**

Prices shown are meant to be a guide. All prices are subject to change without notice. Call for current price and availability.

# 104 CLUTCH CYCLING SWITCH

<p>Type: Cycling Color: OPEN Ftg: M12-1.5 F Norm.: OPEN Clsd: 44psi Open: 24psi OEM: F3AH-19E561AA Aftmkt: YH-552 Pigtail: MT0904</p>  <p><b>MT0202</b></p>	<p>Type: Cycling Color: OPEN Ftg: 7/16-20 F Norm.: OPEN Clsd: 44psi Open: 24psi OEM: E35H-19E561-AA Aftmkt: YH-513 Pigtail: MT0904</p>  <p><b>MT0203</b></p>	<p>Type: Cycling Ftg: 7/16-20 F Norm.: OPEN Clsd: 44psi Open: 24psi Aftmkt: 15-2647 Pigtail: MT0904</p>  <p><b>MT0204</b></p>
<p>Type: Cycling Color: BLACK Ftg: M12-1.5 F Norm.: OPEN Clsd: 44psi Open: 24psi OEM: 52451436 Aftmkt: 15-2832 Pigtail: MT0135</p>  <p><b>MT0205</b></p>	<p>Type: Cycling Color: BLACK Ftg: M12-1.5 F Norm.: OPEN Clsd: 44psi Open: 24psi OEM: 52458249 Aftmkt: 15-5634 Pigtail: MT0139</p>  <p><b>MT0206</b></p>	<p>Type: Cycling Color: BLACK Ftg: M12-1.5 F Norm.: OPEN Clsd: 44psi Open: 24psi OEM: F5RZ-19E561-AA Aftmkt: YH-592 Pigtail: MT0896</p>  <p><b>MT0444</b></p>
<p>Type: Cycling Color: GRAY Ftg: M12-1.5 F Norm.: OPEN Clsd: 38psi Open: 22psi OEM: F6RZ-19E561-AA Aftmkt: YH-1462 Pigtail: MT0896</p>  <p><b>MT0887</b></p>	<p>Type: Cycling Color: BLACK Ftg: M12-1.5 F Norm.: OPEN Clsd: 44psi Open: 23psi OEM: 15035084 Aftmkt: 15-5720 Pigtail: MT1431</p>  <p><b>MT0968</b></p>	<p>Type: Cycling Color: GRAY Ftg: M12-1.5 F Norm.: OPEN Clsd: 44psi Open: 28psi OEM: 5015872AA / AB / 4897614AA Aftmkt: 5015872AA Pigtail: MT1689</p>  <p><b>MT1191</b></p>

Prices shown are meant to be a guide. All prices are subject to change without notice. Call for current price and availability.

Type: LOW  
Color: BLACK  
Ftg: M12-1.5 F  
Norm.: Open  
Clsd: 20psi  
Open: 10psi  
OEM: 25604951  
Aftmkt: 15-2876

Cadillac 94-02  
Oldsmobile 95-99



**MT0799**

Type: HPCO  
Color: PURPLE  
Ftg: 470psi  
Norm.: 245psi  
Clsd: 2  
Open: 2724976  
OEM: 15-5687  
Aftmkt: MT0272  
Pigtail: MT0085  
Oring: MT1341



**MT1316**

Prices shown are meant to be a guide. All prices are subject to change without notice. Call for current price and availability.

# 106 PRESSURE TRANSDUCER

Ftg: F-7/16-20  
 @ 100psi .955v  
 @ 200psi 1.88v  
 @ 300psi 2.80v  
 @ 400psi 3.73v  
 Sat.: 4.76v  
 Max Pres 510psi  
 OEM: 4883903AA  
 Pigtail: MT0656  
 Oring: MT0004



**MT0614**

Chrysler 93-12  
 Dodge 93-11  
 Jeep 97-12  
 Mitsubishi 06-09  
 Plymouth 96-00  
 Ram 10-11

Ftg: M-3/8-24  
 @ 100psi 1.11v  
 @ 200psi 2.14v  
 @ 300psi 3.17v  
 @ 400psi 4.17v  
 Sat.: 4.910v  
 Max Pres 470psi  
 OEM: 92136-3Z600  
 Oring: MT0245



**MT1202**

Infiniti 03-13  
 Mazda 07-12  
 Nissan 00-12

Ftg: F-M10-1.25  
 @ 100psi 1.21v  
 @ 200psi 2.18v  
 @ 300psi 3.15v  
 @ 400psi 4.08v  
 Sat.: 4.760v  
 Max Pres 471psi  
 OEM: 22678731  
 Pigtail: MT1329  
 Oring: MT0004



**MT1247**

Buick 03-13  
 Cadillac 03-13  
 Chevrolet 96-13  
 Ford 06-12  
 GMC 03-13  
 Isuzu 06-08  
 Lincoln 06-12

Ftg: F- M10-1.25  
 @ 100psi 1.24v  
 @ 200psi 2.29v  
 @ 300psi 2.25v  
 @ 400psi 4.38v  
 Sat.: 4.9v  
 Max Pres 450psi  
 Affmkt: 15-5742  
 Pigtail: MT1329  
 Oring: MT0004



**MT1339**

Buick 94-02  
 Buick 04-05  
 Cadillac 94-96  
 Cadillac 98-02  
 Cadillac 07-08  
 Chevrolet 93-13  
 GMC 96-09

Prices shown are meant to be a guide. All prices are subject to change without notice. Call for current price and availability.



Type: TRINARY  
Color: BLACK  
HPLP: Open  
HPCO: Open 413psi  
LPCO: Open 24psi  
Fan Nrml: Open  
Fan Pres: Closed 249psi  
Fig: 3/8-24 M  
Oring: MT0242



Infiniti 97-02  
Nissan 97-04

**MT0589**

Prices shown are meant to be a guide. All prices are subject to change without notice. Call for current price and availability.

# 108 SERVICE O-RING KITS

Dodge 90-04  
Eagle 90-92



**MT2507**

Ford 84-07  
Jaguar 86-09  
Lincoln 78-06  
Mercury 84-05



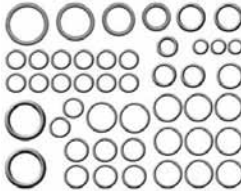
**MT2524**

Ford 78-08  
Lincoln 98-06  
Mazda 06  
Mercury 05-07



**MT2526**

Ford 91-13  
Mazda 91-10  
Mercury 97-07



**MT2527**

Buick 87-96  
Chevrolet 77-82  
Chevrolet 84-97  
Oldsmobile 87-96  
Pontiac 87-97



**MT2541**

Buick 88-05  
Cadillac 86-02  
Daewoo 99-02  
Oldsmobile 88-99  
Pontiac 92-05



**MT2543**

Buick 00-10  
Cadillac 99-13  
Chevrolet 95-13  
GMC 99-13  
Pontiac 00-08



**MT2550**

Chevrolet 77-91  
GMC 77-91  
Oldsmobile 91



**MT2551**

Chevrolet 92-05  
GMC 92-05  
Isuzu 96-00  
Oldsmobile 92-94  
Oldsmobile 96-04  
Pontiac 99-05



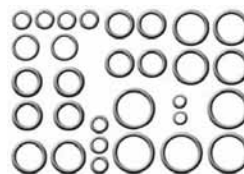
**MT2554**

Chevrolet 92-02  
GMC 92-00



**MT2555**

Hyundai 04-05  
Infiniti 94-13  
Nissan 94-14



**MT2571**

Prices shown are meant to be a guide. All prices are subject to change without notice. Call for current price and availability.



**MT2901**  
Desc: 93-09 GM

Buick 94-13  
Cadillac 94-13



**MT2903**

Acura 86-93  
Audi 69-04  
BMW 52-93



**MT2904**  
Desc: 94-05 GM

Buick 94-05  
Cadillac 96-07



**MT2905**  
Desc: 97-08 misc

Buick 94-96  
Cadillac 94-95



**MT2906**  
Desc: 94-08 Ford

Ford 94-12  
Lincoln 94-07



**MT2907**  
Desc: 94-97 Ford

Audi 99-13  
Ford 94-97



**MT2908**  
Desc: 94-05 Chry

Chrysler 94-10  
Dodge 94-10



**MT2909**  
Desc: 94-09 Euro

Acura 94-13  
Audi 98-06

Prices shown are meant to be a guide. All prices are subject to change without notice. Call for current price and availability.

# 110 HEAVY DUTY PART PAGE INDEX

Part #	Page #	Part #	Page #	Part #	Page #
20-04918-AM	84	27-50066	87	37-18038	99
20-04920-AM	84	27-50067	87	37-19797	99
20-08675	84	27-50068	88	37-19802	99
20-08688-AM	84	31-12112	90	37-23233-AM	96
20-10583-AM	84	31-30935-AM	89	37-23334	97
20-10694-AM	84	31-30945	89	37-23391	96
20-10790-AM	84	31-31022	89	37-23502	96
20-10795-AM	84	31-31098	89	37-23505	96
20-10918-AM	84	31-31145	89	37-23527	96
20-10991-AM	84	34-63345	97	37-23531	96
20-11005-AM	84	34-63394	94	37-23539-AM	96
20-11035-AM	84	34-63453	94	37-23557	96
20-11041-AM	85	34-63596	97	96-20600	79
20-11242-AM	85	34-63635	93	96-23923	79
20-11310-AM	85	34-63642	97	96-24062	79
20-11320-AM	85	34-63643	97	96-24224	79
20-11516-AM	85	34-63751	93	96-24287	79
20-11524-AM	85	34-63756	93	96-24327	79
20-11570	85	34-63758	94	96-24534	80
20-21649-AM	85	34-63769	94	96-24731	80
20-21715-AM	85	34-63770	94	96-24993	80
20-21943-AM	85	34-63777	95	96-25124	80
20-22036-AM	85	34-63779	92	96-25222	80
20-90003	85	34-63870	93	96-25274	80
27-30444	86	34-63876	92	96-25303	81
27-30480	86	34-63917	94	96-25382	81
27-30498	86	34-63935	92	96-25383	81
27-30529	86	34-63967	93	96-25544	81
27-33161	86	34-63968	92	96-25559	81
27-33163	86	34-64245	93	96-25560	81
27-33177	86	34-64253	93	96-25593	82
27-33205	86	34-64255	94	96-25667	82
27-33227	86	34-64260	94	96-25700	82
27-33245	86	34-64261	92	96-25723	82
27-33282	86	37-10866	98	96-25724	82
27-33352	86	37-10871	98	96-25729	82
27-33387	87	37-13539-AM	98	96-26099	83
27-33428	87	37-13570	98	MT0091-1	91
27-33429	87	37-13576-AM	98	MT0092-1	91
27-33451	87	37-13615	98	MT0093-1	91
27-33463	87	37-13677	98	MT0094-1	91
27-33496	87	37-13954-AM	98	MT0097-1	91
27-33497	87	37-13991-AM	98	MT0098-1	91
27-33761	87	37-13995-AM	98	MT0099-1	91
27-33768	87	37-13997	98	MT0202	102
27-33819	87	37-18035	98	MT0203	102

Prices shown are meant to be a guide. All prices are subject to change without notice. Call for current price and availability.

<b>Part #</b>	<b>Page #</b>
MT0204	102
MT0205	102
MT0206	102
MT0225	100
MT0444	102
MT0532	100
MT0589	105
MT0614	104
MT0628	91
MT0799	103
MT0887	102
MT0924-1	91
MT0968	102
MT1191	102
MT1202	104
MT1247	104
MT1316	103
MT1323	101
MT1339	104
MT2507	106
MT2524	106
MT2526	106
MT2527	106
MT2541	106
MT2543	106
MT2550	106
MT2551	106
MT2554	106
MT2555	106
MT2571	106
MT2901	107
MT2903	107
MT2904	107
MT2905	107
MT2906	107
MT2907	107
MT2908	107
MT2909	107

Prices shown are meant to be a guide. All prices are subject to change without notice. Call for current price and availability.

Prices shown are meant to be a guide. All prices are subject to change without notice. Call for current price and availability.